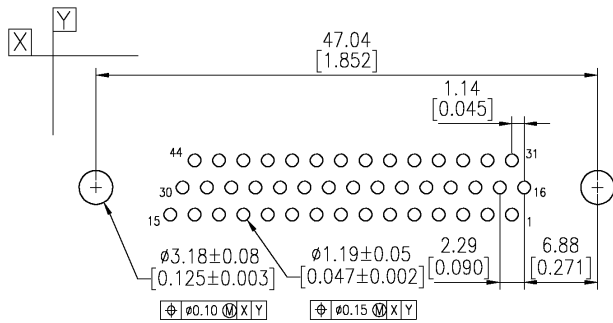
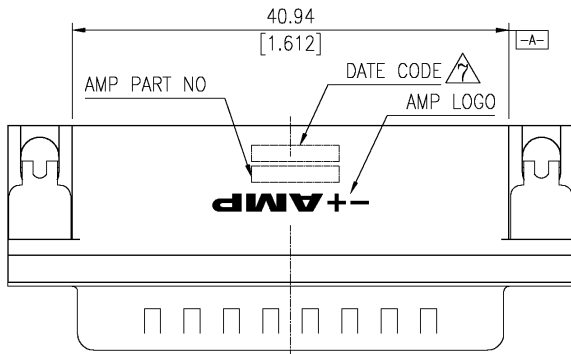
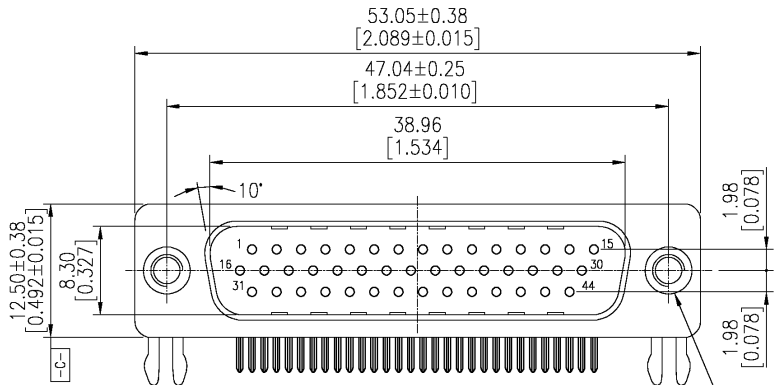


THIS DRAWING IS UNPUBLISHED. RELEASED FOR PUBLICATION  
 BY TYCO ELECTRONICS CORPORATION. ALL RIGHTS RESERVED.

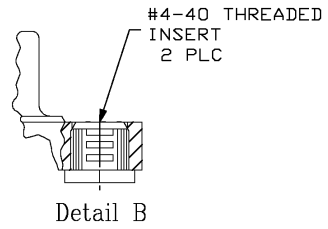
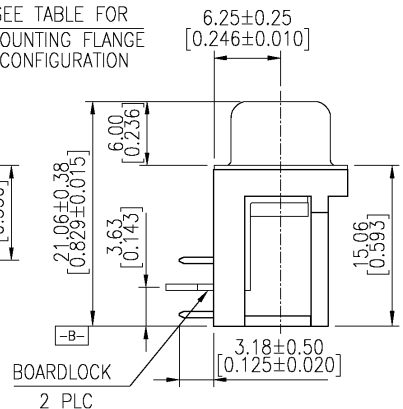
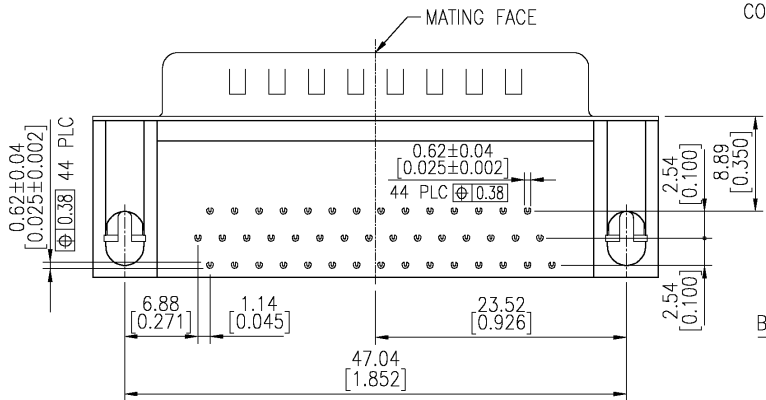
LOC	DIST	REVISIONS					
GP	0	P	LTR	DESCRIPTION	DATE	DWN	APVD
		J		REVISED PER OS13-0210-02	11JULY02	JB	CC



RECOMMENDED PCB LAYOUT



SEE TABLE FOR MOUNTING FLANGE CONFIGURATION



**MATERIAL:**

- Housing: PBT , 30 % G.F polyester, Black. ( UL 94V-0 Rated )
  - Contact: Brass.
  - Contact Plated: Gold Plated over 50u" Nickel underplated.
  - Solder Tail: Sn/Pb Plated 120u" over 50u" Nickel underplated.
  - Shell: Steel, Nickel Plated.
  - Boardlock: Brass, Tin or Sn/Pb Plated 100u"
- △ Four digit date code in this format.

Year 01 45 Manufacturing Week

Tray	Detail B	Gold flash	749771-3
Tray	Detail B	15 μ"	749771-2
Tray	Detail B	30 μ"	749771-1
Packaging	Mounting Flange	Contact Finish	AMP Part NO.

THIS DRAWING IS A CONTROLLED DOCUMENT.

DWN J. BURWELL	11JULY02	<b>Tyco Electronics</b>	Tyco Electronics Corporation	
CHK C. CASH	11JULY02		AMPLIMITE HD-22 44 POS PLUG, RIGHT ANGLE	
DIMENSIONS: MM		APVD -	NAME -	RESTRICTED TO -
TOLERANCES UNLESS OTHERWISE SPECIFIED:		PRODUCT SPEC -	APPLICATION SPEC -	SIZE A2
0 PLC ± -	1 PLC ± 0.30	CAGE CODE   DRAWING NO 00779   749771		SCALE 3:1
2 PLC ± 0.20	3 PLC ± 0.10	WEIGHT -		SHEET 1 OF 1
4 PLC ± -	ANGLES ± - Z	CUSTOMER DRAWING		REV J
MATERIAL: -		FINISH: -		