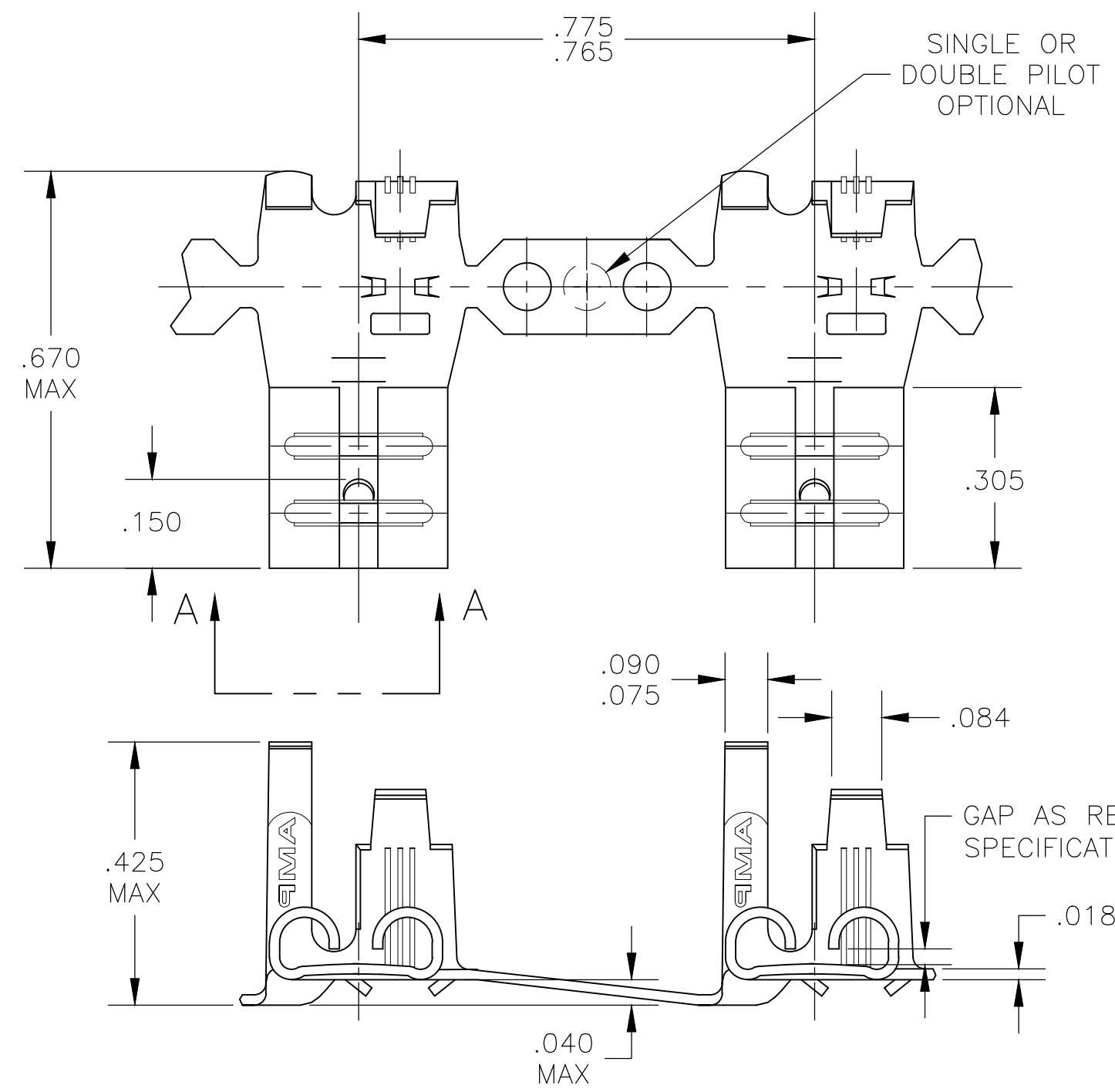
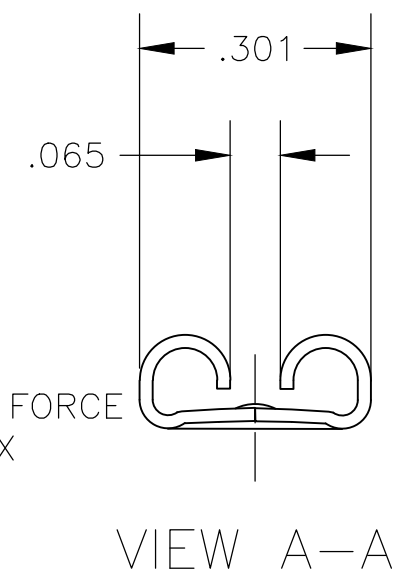


THIS DRAWING IS UNPUBLISHED. RELEASED FOR PUBLICATION
 © COPYRIGHT - By - ALL RIGHTS RESERVED.


LOC	DIST	REVISIONS					
AF	50	P	LTR	DESCRIPTION	DATE	DWN	APVD
		AB1		REVISED PER ECR-20-009164	12AUG2020	MK	DH



- 1 CONTINUOUS STRIP ON REELS
- 2 MATING TAB THK IS .033-.030.
- 3 WIRE SIZE IS #18-#12 AWG
- 4 INSULATION RANGE IS .110-.210 DIA.



41532
PART NO.

THIS DRAWING IS A CONTROLLED DOCUMENT.		DWN	JR RUTH	18OCT02	 TE Connectivity											
DIMENSIONS: INCHES		CHK	P DESANTIS	18OCT02												
TOLERANCES UNLESS OTHERWISE SPECIFIED:		APVD	P DESANTIS	18OCT02												
<table border="0"> <tr><td>0 PLC</td><td>± -</td></tr> <tr><td>1 PLC</td><td>± -</td></tr> <tr><td>2 PLC</td><td>± -</td></tr> <tr><td>3 PLC</td><td>± .015</td></tr> <tr><td>4 PLC</td><td>± -</td></tr> <tr><td>ANGLES</td><td>± -</td></tr> </table>		0 PLC	± -	1 PLC		± -	2 PLC	± -	3 PLC	± .015	4 PLC	± -	ANGLES	± -	PRODUCT SPEC	NAME
0 PLC	± -															
1 PLC	± -															
2 PLC	± -															
3 PLC	± .015															
4 PLC	± -															
ANGLES	± -															
MATERIAL	BRASS	FINISH	TIN	APPLICATION SPEC	SIZE	A3	CAGE CODE	00779	DRAWING NO	C-41532	RESTRICTED TO	-				
		CUSTOMER DRAWING		WEIGHT	-	SCALE	4:1	SHEET	1 OF 1	REV	AB1					