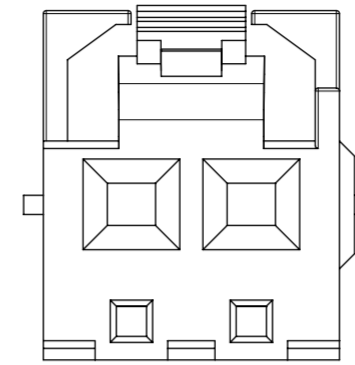


DISTINCTIVE FOR 2-CIRCUIT

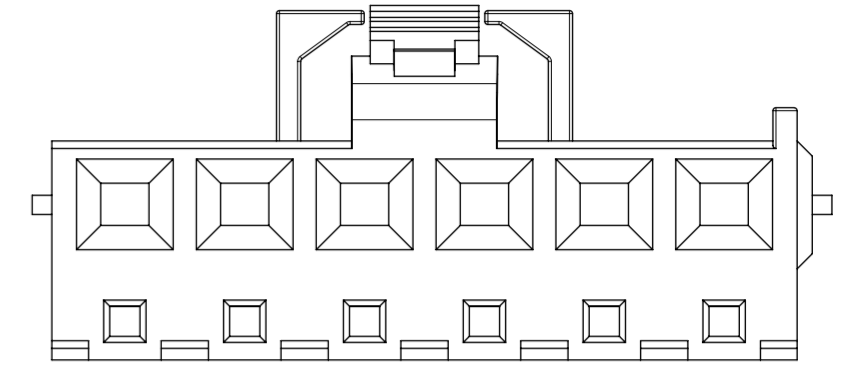
- NOTES:
1. MATERIAL: PA66 , RATED UL94V-0, COLOR- BLACK
  2. PRODUCT SPECIFICATION: 2074580000-PS
  3. PACKAGING SPECIFICATION: 2074580000-PK
  4. COSMETIC SPECIFICATION: PS-45499-002 CLASS B
  5. HOUSING ACCEPTS TERMINALS FROM 45570 SERIES

**POLARIZATION**

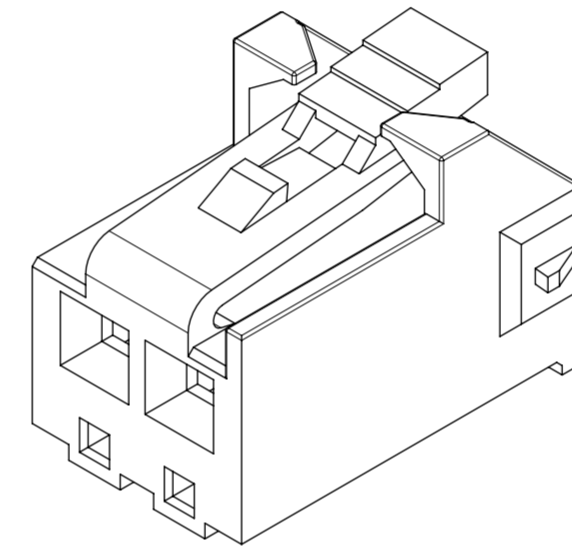
**2 CKT**



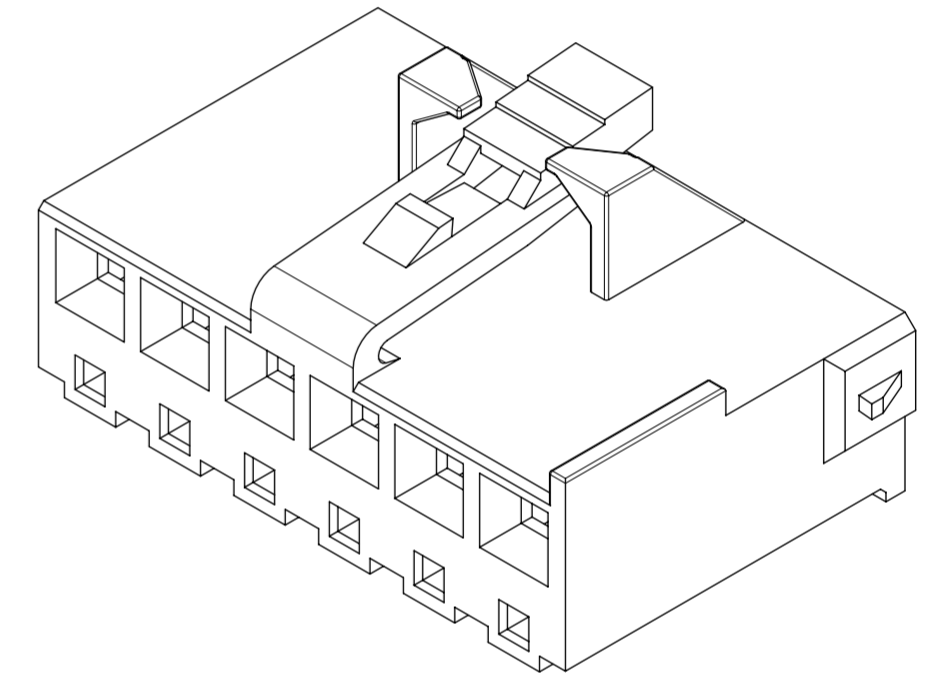
**3 TO 6 CKT**



**ISOMETRIC OF 2 CKT**



**ISOMETRIC OF 6 CKT**



CIRCUIT SIZE	PART NUMBER	DIM. A
02	2074580002	10.29
03	2074580003	13.25
04	2074580004	17.21
05	2074580005	21.18
06	2074580006	25.14

THIS DRAWING CONTAINS INFORMATION THAT IS PROPRIETARY TO MOLEX ELECTRONIC TECHNOLOGIES, LLC AND SHOULD NOT BE USED WITHOUT WRITTEN PERMISSION

DIMENSION UNITS <b>mm</b>	SCALE <b>4:1</b>	CURRENT REV DESC:		<b>molex</b>			
GENERAL TOLERANCES (UNLESS SPECIFIED)		EC NO: 706747					
ANGULAR TOL ± 0.5°		4 PLACES ±	DRWN: SHRUTJ 2022/04/27	PRODUCT CUSTOMER DRAWING			
3 PLACES ±		2 PLACES ± 0.2	CHK'D: SHRUTJ 2022/05/13	DOCUMENT NUMBER			
1 PLACE ± 0.25		0 PLACES ±	APPR: ISHWARG 2022/05/13	2074580000-SD			
DRAFT WHERE APPLICABLE MUST REMAIN WITHIN DIMENSIONS		INITIAL REVISION:		DOC TYPE	DOC PART	REVISION	
THIRD ANGLE PROJECTION		DRWN: GGUNAGI 2018/09/19		PSD	000	A2	
DRAWING		APPR: NCSR 2019/02/05		CUSTOMER		SHEET NUMBER	
A2-SIZE		SERIES 207458		GENERAL MARKET		1 OF 1	

DOCUMENT STATUS	P1	RELEASE DATE	2022/05/13	18:11:34
-----------------	----	--------------	------------	----------