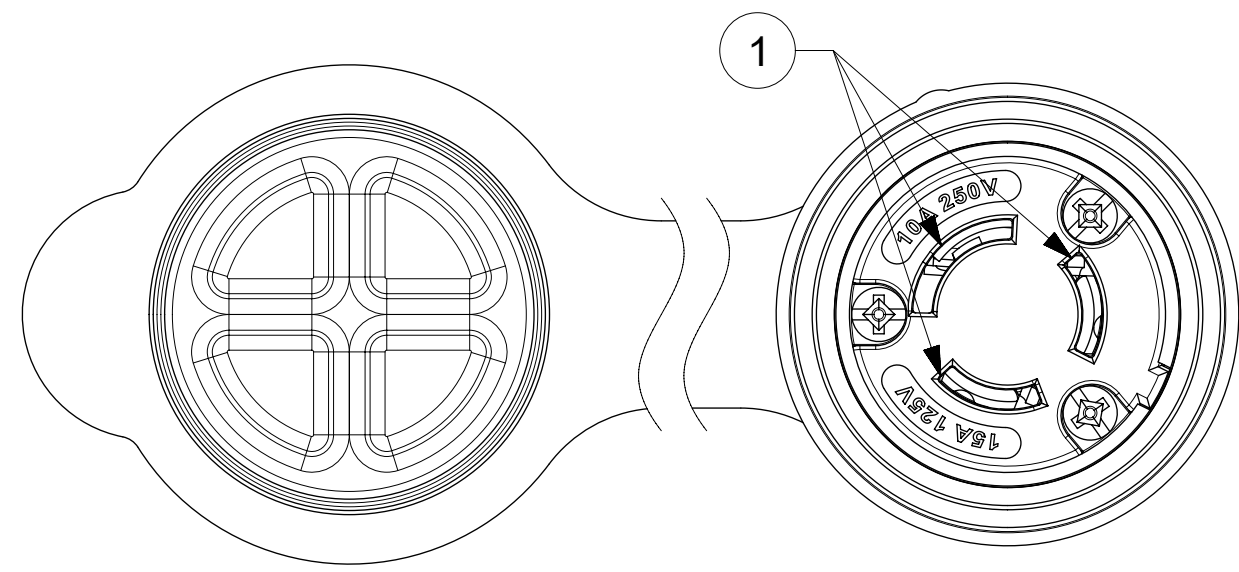
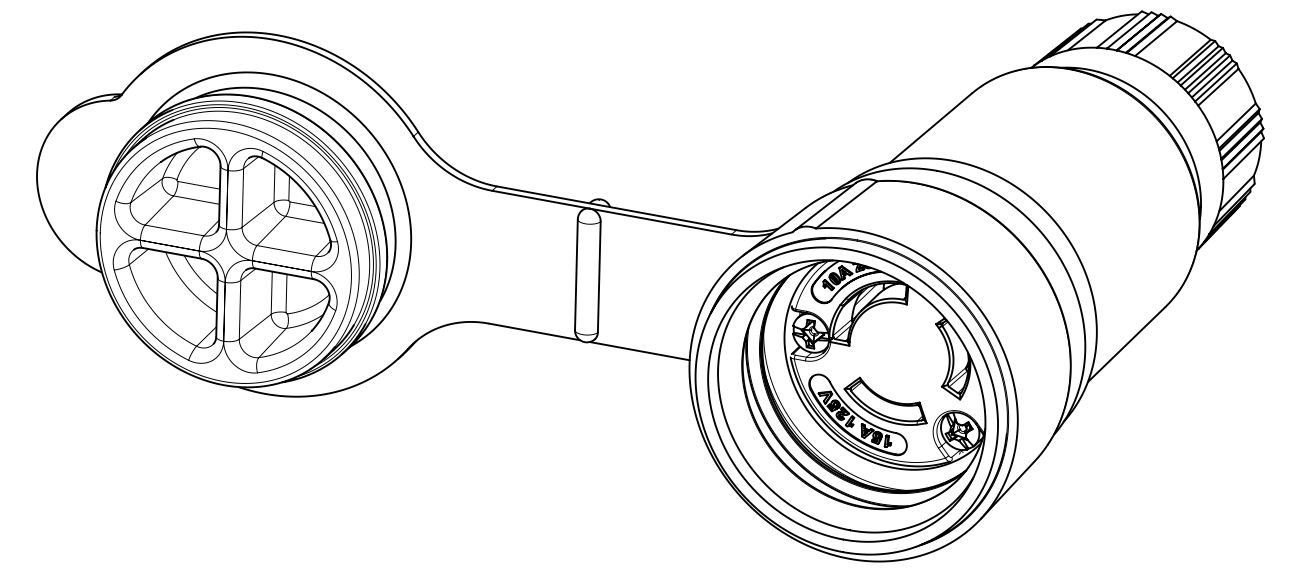
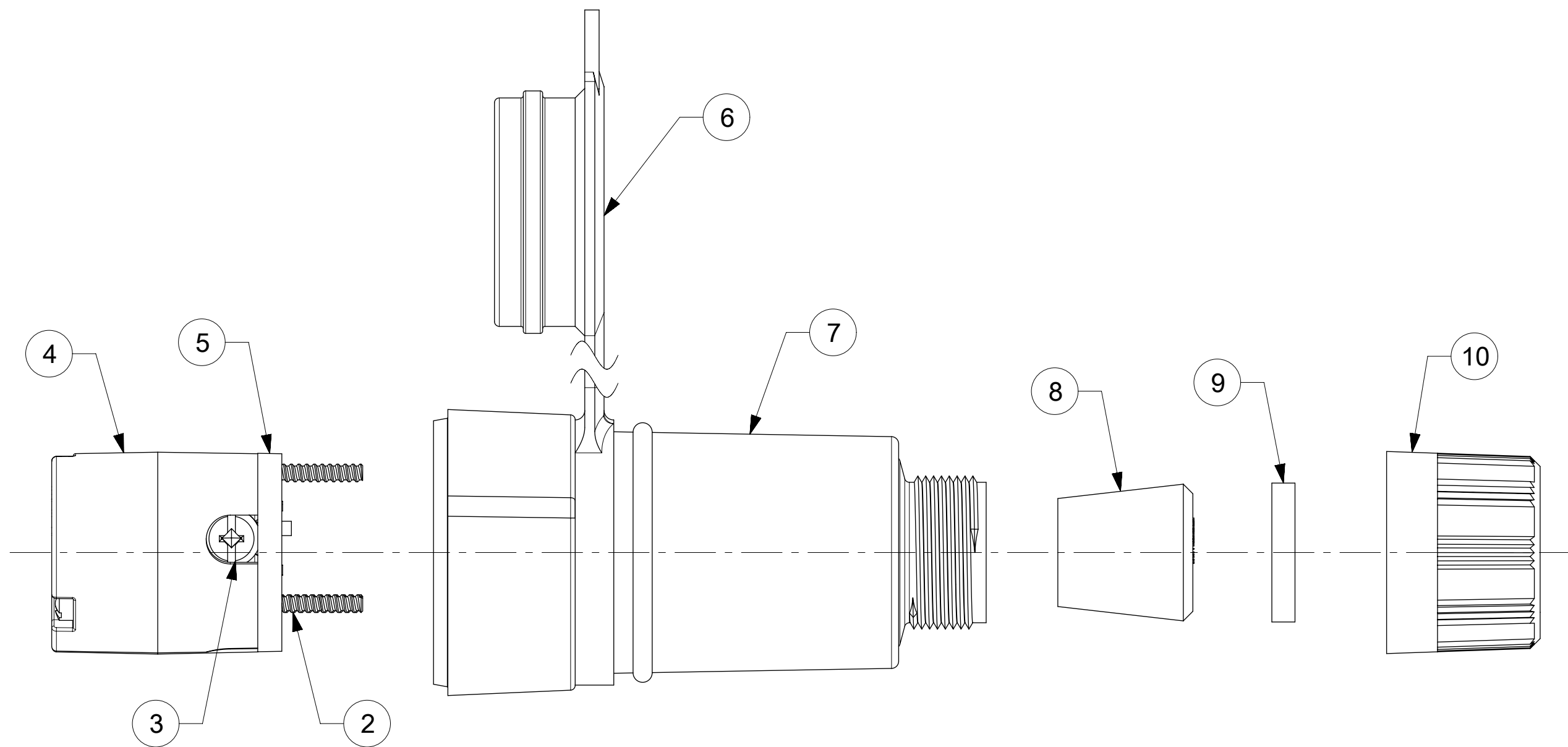
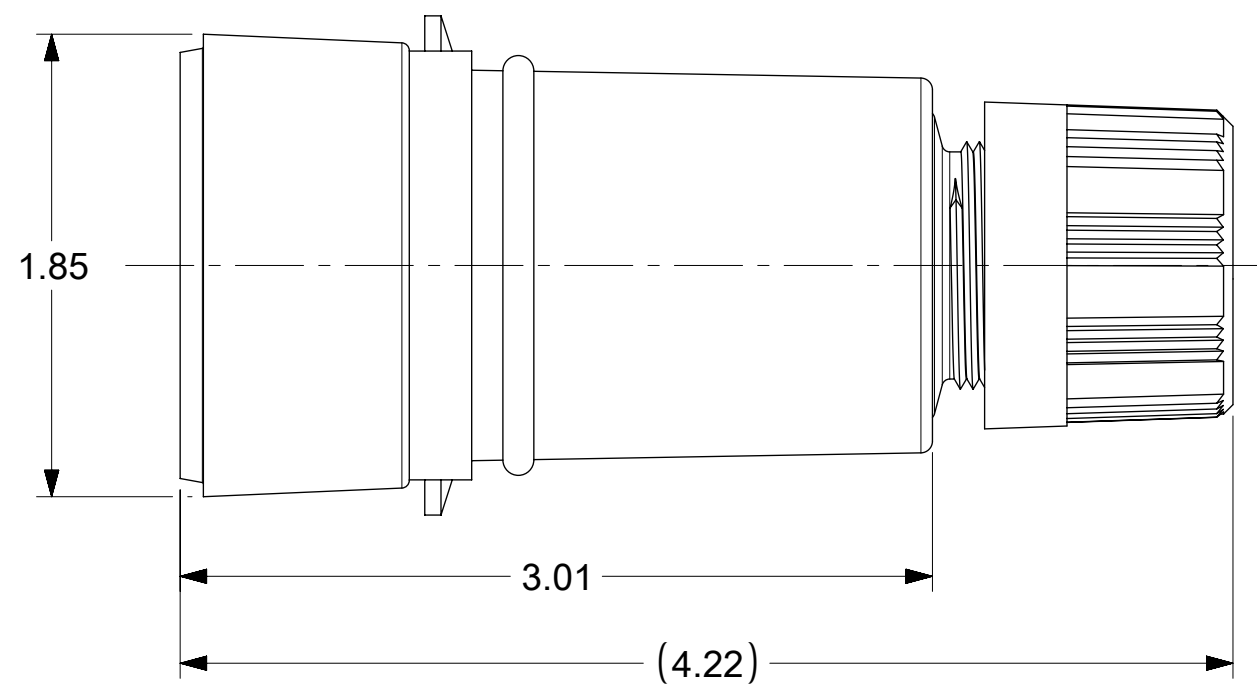


ORDER NO.	WOODHEAD NO.	COLOR
130146-0214	25W07-P	YELLOW



**FACE VIEW**



ITEM NO.	DESCRIPTIONS	MATERIAL	QTY.
1	BLADES	BRASS	3
2	RETAINING SCREWS	STAINLESS STEEL	3
3	TERMINAL SCREWS	BRASS, ZINC PLATED	3
4	INSERT	NYLON	1
5	TERMINAL COVER	POLYCARBONATE	1
6	FLIP COVER	SILICON	1
7	HOUSING	RUBBER WITH NYLON THREAD	1
8	GROMMETS	RUBBER	5
9	FRICTION RING	NYLON	1
10	COMPRESSION NUT	NYLON	1

**NOTES:**  
1. SEE INSTRUCTION SHEET NUMBER 1301414770 FOR PRODUCT SPECIFICATION.  
2. CABLE RANGE FROM 0.375" TO 0.625"

SYMBOLS		THIS DRAWING CONTAINS INFORMATION THAT IS PROPRIETARY TO MOLEX ELECTRONIC TECHNOLOGIES, LLC AND SHOULD NOT BE USED WITHOUT WRITTEN PERMISSION		CURRENT REV DESC: RELEASED		<b>molex</b>	
▽ = 0	INCH	SCALE	NTS	EC NO: 613684			
▽ = 0	GENERAL TOLERANCES (UNLESS SPECIFIED)			DRWN: ABABU01 2018/11/27		WATERTITE CONNECTOR	
▽ = 0	ANGULAR TOL ± 0.5°			CHK'D: DNGUYEN62 2019/03/15			
▽ = 0	4 PLACES ±			APPR: HKNEELAND 2019/03/21		PRODUCT CUSTOMER DRAWING	
▽ = 0	3 PLACES ± 0.005			INITIAL REVISION:			
▽ = 0	2 PLACES ± 0.01			DRWN: ABABU01 2018/11/27		DOCUMENT NUMBER	
▽ = 0	1 PLACE ± 0.02			APPR: HKNEELAND 2019/03/21		1301460214	
▽ = 0	0 PLACES ±			THIRD ANGLE PROJECTION		DOC TYPE DOC PART REVISION	
▽ = 0	DRAFT WHERE APPLICABLE MUST REMAIN WITHIN DIMENSIONS			DRAWING SERIES		PSD 000 A	
▽ = 0				C-SIZE 130146		MATERIAL NUMBER CUSTOMER SHEET NUMBER	
						SEE TABLE GENERAL MARKET 1 OF 1	