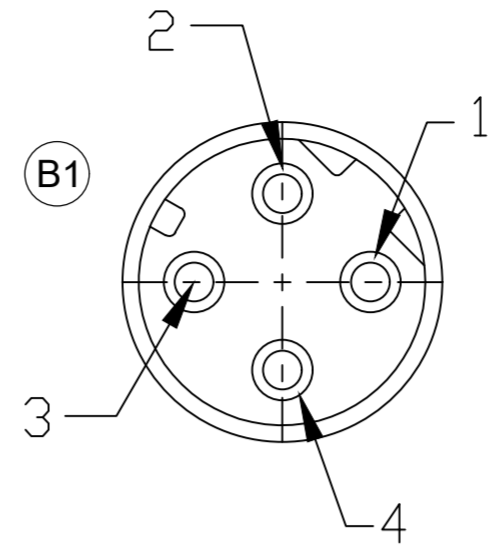


MOLEX PN	ENGINEERING PN	L(mm) + TOL
1300488040	130048-8040	4318 +165
1300488056	130048-8056	1489 +56
1300488057	130048-8057	1670 +56
1300488058	130048-8058	1943 +89
1300488059	130048-8059	2370 +89
1300488060	130048-8060	2549 +89
1300488061	130048-8061	2770 +89
1300488062	130048-8062	4170 +165
1300488063	130048-8063	5288 +165
1300488064	130048-8064	6396 +165
1300488065	130048-8065	7068 +165
1300488066	130048-8066	9131 +182
1300488067	130048-8067	10396 +207
1300488068	130048-8068	19595 +391



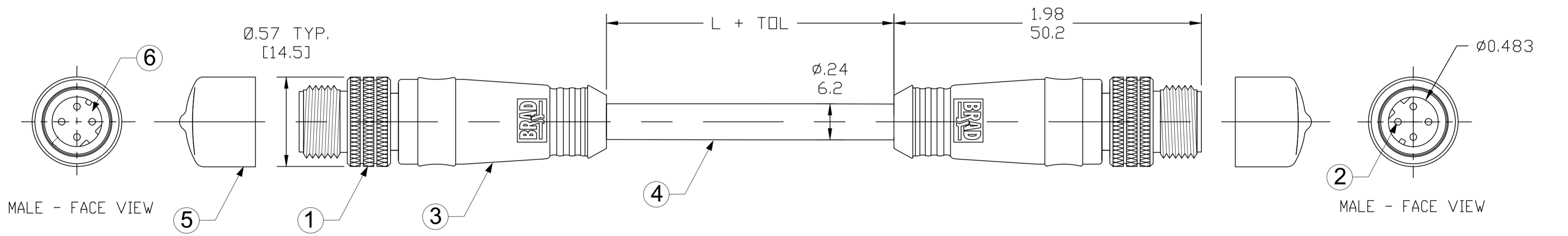
MALE - FACE VIEW
TYPICAL BOTH ENDS

PIN	WIRE COLOR	PIN
1	BLUE	1
2	BLACK	2
3	WHITE	3
4	RED	4
	SHIELD	

WIRE DIAGRAM

COUPLING NUT

COUPLING NUT



- NOTES:
1. MATERIAL: SEE TABLE
 2. FINISHES: SEE TABLE
 3. ELECTRICAL DATA:
VOLTAGE: 30V
CURRENT: 1.5A
 4. TEMP RATING: -20°C TO 105°C
 5. IP67 WHEN FULLY MATED
 6. COUPLING THREADS: M12X1
 7. ALL DIMS ARE FOR REFERENCE UNLESS TOLERANCED OR OTHERWISE NOTED.

ITEM	DESCRIPTION	MATERIAL	FINISH
6	INSERT	PUR	BLACK
5	DUST COVER	VINYL	BLACK
4	CABLE 28 AWG , 2PR, SHIELDED	BLACK	PVC
3	OVERMOLD	TPU	BLACK
2	CONTACTS	COPPER ALLOY	GOLD PLATED
1	M12 MALE COUPLING NUT	BRASS	NICKEL PLATED

FUNCTIONAL SYMBOLS										THIS DRAWING CONTAINS INFORMATION THAT IS PROPRIETARY TO MOLEX ELECTRONIC TECHNOLOGIES, LLC AND SHOULD NOT BE USED WITHOUT WRITTEN PERMISSION									
DIMENSION UNITS					SCALE					CURRENT REV DESC: CORRECT POSITION OF SMALL KEY									
INCH/MM					NTS														
GENERAL TOLERANCES (UNLESS SPECIFIED)																			
4 PLACES ±----					±----					EC NO: 670690									
3 PLACES ±----					±----					DRWN: RSTONE 2021/07/19									
2 PLACES ±----					±----					CHK'D: ALEON01 2021/07/21									
1 PLACE ±----					±----					APPR: BWOODMAN 2021/07/26									
0 PLACES ±----					±----					INITIAL REVISION:									
ANGULAR TOL ± ---- °										DRWN: CCHRASTKA 2020/10/13									
DRAFT WHERE APPLICABLE MUST REMAIN WITHIN DIMENSIONS					THIRD ANGLE PROJECTION					DRAWING SERIES: C-SIZE 130048									
										DOCUMENT NUMBER: 1300488040					DOC TYPE/DOC PART/REVISION: PSD 000 B1				
DOCUMENT STATUS: P1					RELEASE DATE: 2021/07/26 14:24:46					MATERIAL NUMBER: SEE TABLE					CUSTOMER: GENERAL MARKET				
										SHEET NUMBER: 1 OF 1									