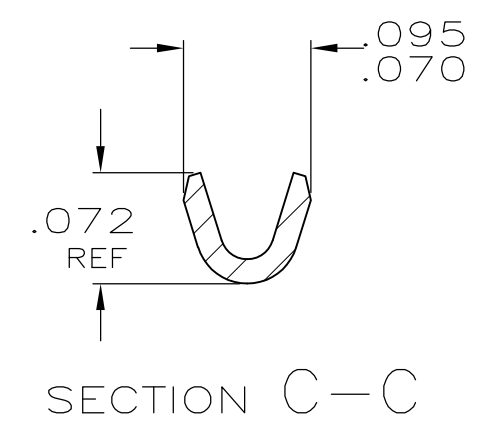
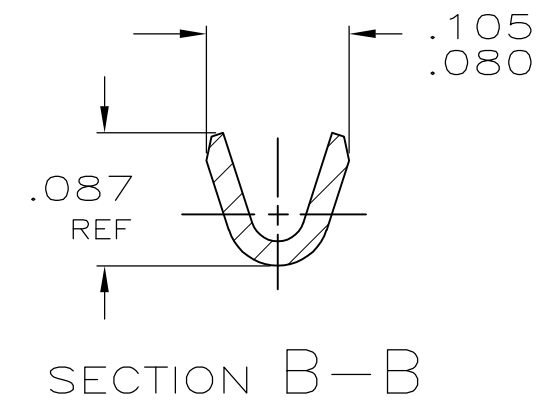
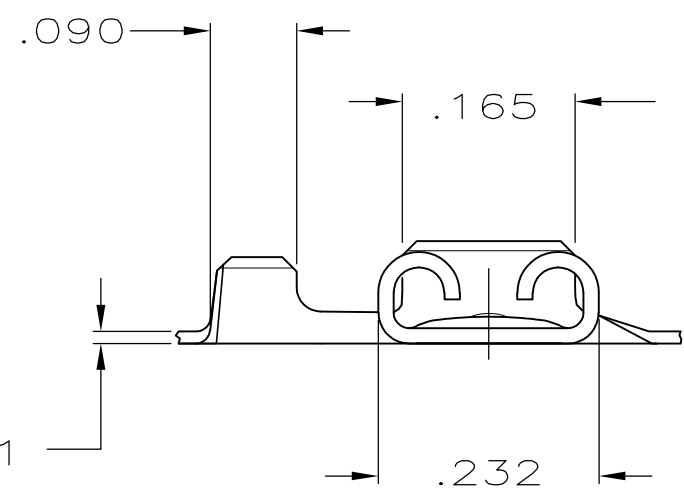
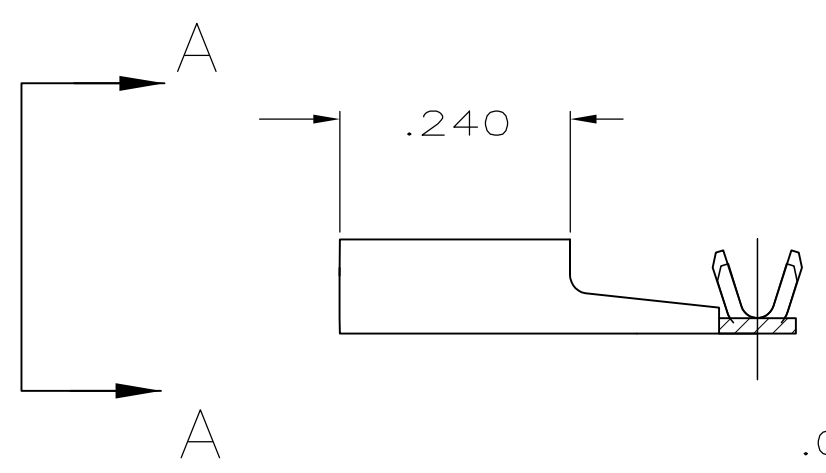
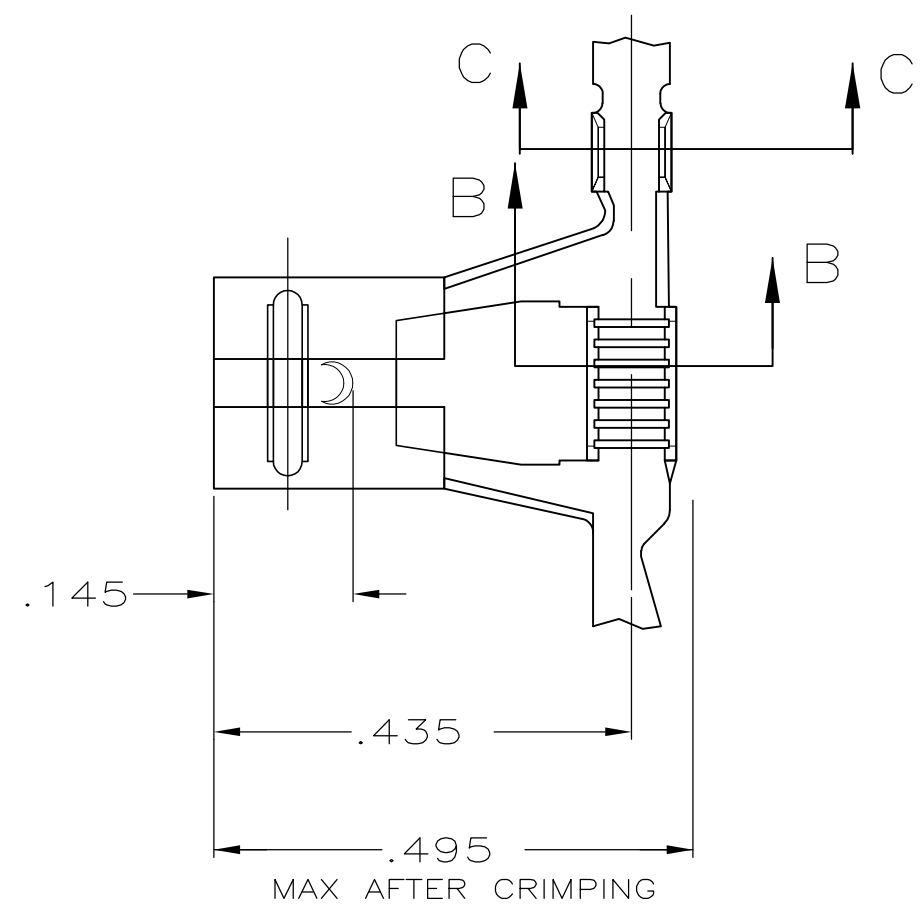


THIS DRAWING IS UNPUBLISHED. RELEASED FOR PUBLICATION
 © COPYRIGHT - By TYCO ELECTRONICS CORPORATION. ALL RIGHTS RESERVED.

LOC	DIST	REVISIONS			
P	LTR	DESCRIPTION	DATE	DWN	APVD
AF	50	C	REVISE PER ECR-13-013738	15FEB2014	GRZ JL

- 1 CONTINUOUS STRIP ON REELS.
- 2 ACCEPTS MAGNET WIRE RANGES 24-20 AWG.
- 3 MATING TAB THK IS .032±.001.



VIEW A-A

1217624-1
PART NO.

THIS DRAWING IS A CONTROLLED DOCUMENT.		DWN JR RUTH 09APR01	TE Connectivity RECEPTACLE, FASTON, FLAG, AMPLIVAR, .187 SERIES											
DIMENSIONS: INCHES		CHK MS FEHER 09APR01												
TOLERANCES UNLESS OTHERWISE SPECIFIED:		APVD P DESANTIS 09APR01												
<table border="0"> <tr><td>0 PLC</td><td>± -</td></tr> <tr><td>1 PLC</td><td>± -</td></tr> <tr><td>2 PLC</td><td>± .010</td></tr> <tr><td>3 PLC</td><td>± -</td></tr> <tr><td>4 PLC</td><td>± -</td></tr> <tr><td>ANGLES</td><td>± -</td></tr> </table>		0 PLC				± -	1 PLC	± -	2 PLC	± .010	3 PLC	± -	4 PLC	± -
0 PLC	± -													
1 PLC	± -													
2 PLC	± .010													
3 PLC	± -													
4 PLC	± -													
ANGLES	± -													
MATERIAL BRASS	FINISH .000080 MIN TIN	PRODUCT SPEC - APPLICATION SPEC -	SIZE A3	CAGE CODE 00779	DRAWING NO C-1217624	RESTRICTED TO -								
CUSTOMER DRAWING			SCALE 5:1	SHEET 1 OF 1	REV C									