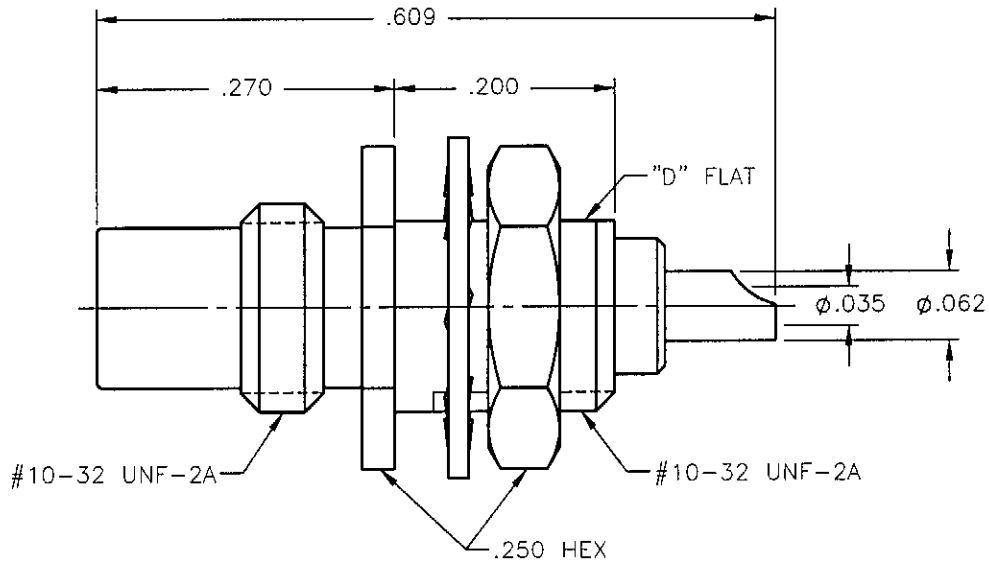


REVISIONS			
REV.	DESCRIPTION	DATE	APPROVED
A	ECO #7454	02/16/09	A.D.M.



NOTES:


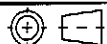
MATERIALS:

1. INSULATOR = VIRGIN WHITE TEFLON PER ASTM D1710, GRADE 1, TYPE I, CLASS "B".
2. LOCKWASHER = PHOSPHOR BRONZE PER ASTM B139, COPPER ALLOY C53400, TEMPER H04.
3. ALL OTHER METAL PARTS = BRASS PER ASTM B16, ALLOY C36000, TEMPER H02.

FINISHES:

1. CONTACT = GOLD PLATE PER MIL-G-45204, TYPE II, CLASS 1, GRADE C, OVER .00010 TO .00020 STRESS FREE SULFAMATE NICKEL PER QQ-N-290.
2. ALL OTHER METAL PARTS = GOLD PLATE PER MIL-G-45204, TYPE II, CLASS 0, GRADE C, OVER .00010 TO .00020 COPPER STRIKE PER MIL-C-14550.

Property of Radiall Incorporated  
This document cannot be reproduced or  
communicated to a third party without prior  
written permission of RADIALL Incorporated.

UNLESS OTHERWISE SPECIFIED DIMENSIONS ARE IN INCHES TOLERANCES ON		DWN: A.D.M.	DATE 02/16/09	 <b>APPLIED ENGINEERING PRODUCTS</b> 104 John W. Murphy Dr. New Haven, CT 06513 a RADIALL company		
		CHKD:	DATE 02/16/09			
		APVD: J.M.	DATE 02/16/09			
DECIMAL	ANGLE	<b>SMC STRAIGHT MALE JACK          BULKHEAD FRONT MOUNT          SOLDER POT RECEPTACLE</b>				
REFERENCE:	MATERIALS & FINISHES: SEE NOTES				SIZE A	FSCM NO. 19505
ORIGINATED: D.N. DATE: 02/16/51		SCALE 6:1		THIRD ANGLE PROJECTION 		SHEET 1 OF 1

1019-1511-000