

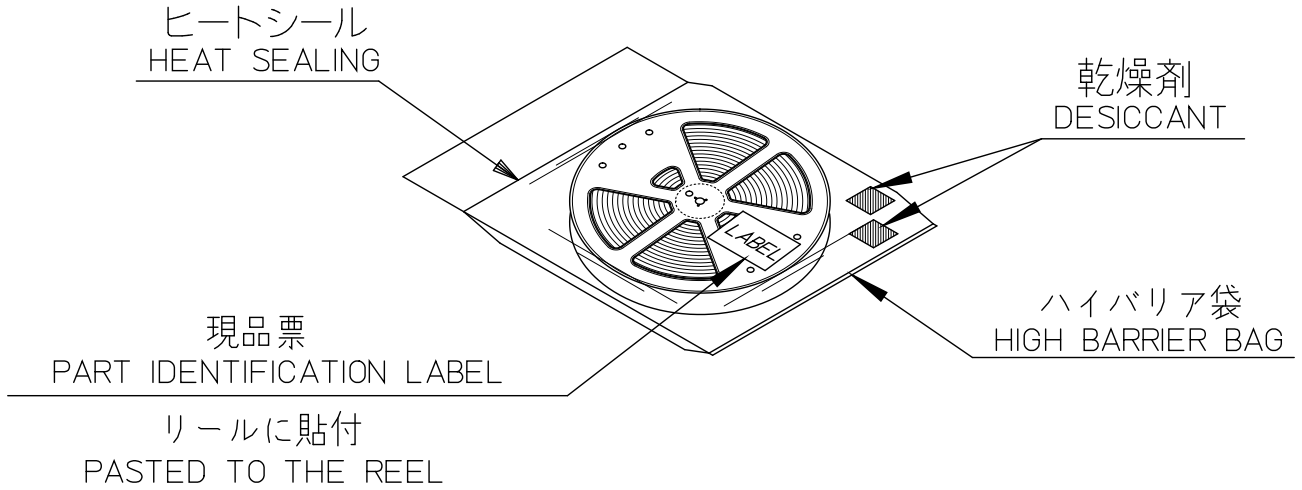
1. 製品名称／PRODUCT NAME : 0.5 FPC CONN. ZIF HS'G ASS'Y FOR SMT EMBOSSED TAPE PACKAGING
 製品番号／PART NUMBER : 5 2 5 5 9 - * * 3 4
 5 2 5 5 9 - * * 7 0
 (* * は極数を示す)
 (* * IS CIRCUITS SIZE)

2. 標準梱包数／STANDARD PACKAGING QUANTITY

極 数 CKT. SIZE	キャリア テープ幅 (mm) CARRIER TAPE WIDTH (mm)	1 リール中の製品数 QTY. PER REEL	外装カートン SHIPPING CARTON	
			梱包リール数 NUMBER OF REELS	製品数 QUANTITY
6	24	1,000	6	6,000
8				
11				
13				
14				
16				
18				
19				
20				
22				
24	32	1,000	4	4,000
25				
28				
30				
32				
33				
36	44	1,000	3	3,000

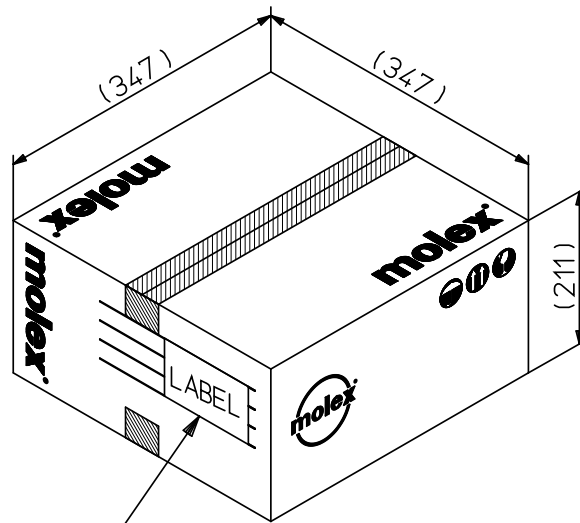
REV.	C											
SHEET	1~2											
REVISE ON PC ONLY				TITLE:								
C	REVISED J2015-1294 2015/03/31 T.NAKAGAWA			5 2 5 5 9 梱包仕様書 SALES PACKAGING SPEC. FOR 52559								
	THIS DOCUMENT CONTAINS INFORMATION THAT IS PROPRIETARY TO MOLEX INC. AND SHOULD NOT BE USED WITHOUT WRITTEN PERMISSION											
REV.	DESCRIPTION			WRITTEN BY:		CHECKED BY:		APPROVED BY:		DATE: YR/MO/DAY		
	DESIGN CONTROL J		STATUS		T.NAKAGAWA		T.HARUYAMA		H.HIRATA		2013/03/04	
DOCUMENT NUMBER SPK-52559-004								FILE NAME SPK52559004.docx		SHEET 1 OF 2		

3. ハイバリア袋への梱包方法及びラベル貼付位置/PACKAGING METHOD FOR HIGH BARRIER BAG AND LABEL POSITION.



4. カートン外形参考寸法/CARTON OUTER DIMENSIONS (REFERENCE PURPOSE ONLY)

単位/UNIT: mm



カートンラベル
CARTON LABEL

(製品型番, 数量, ロットNO. 表示)
INDICATION OF PART No., QUANTITY, LOT No.

標準カートン
STANDARD CARTON

REVISE ON PC ONLY		TITLE:	
C	SEE SHEET 1 OF 2	5 2 5 5 9 梱包仕様書 SALES PACKAGING SPEC. FOR 52559	
REV.	DESCRIPTION	THIS DOCUMENT CONTAINS INFORMATION THAT IS PROPRIETARY TO MOLEX INC. AND SHOULD NOT BE USED WITHOUT WRITTEN PERMISSION	
DOCUMENT NUMBER SPK-52559-004		FILE NAME SPK52559004.docx	SHEET 2 OF 2