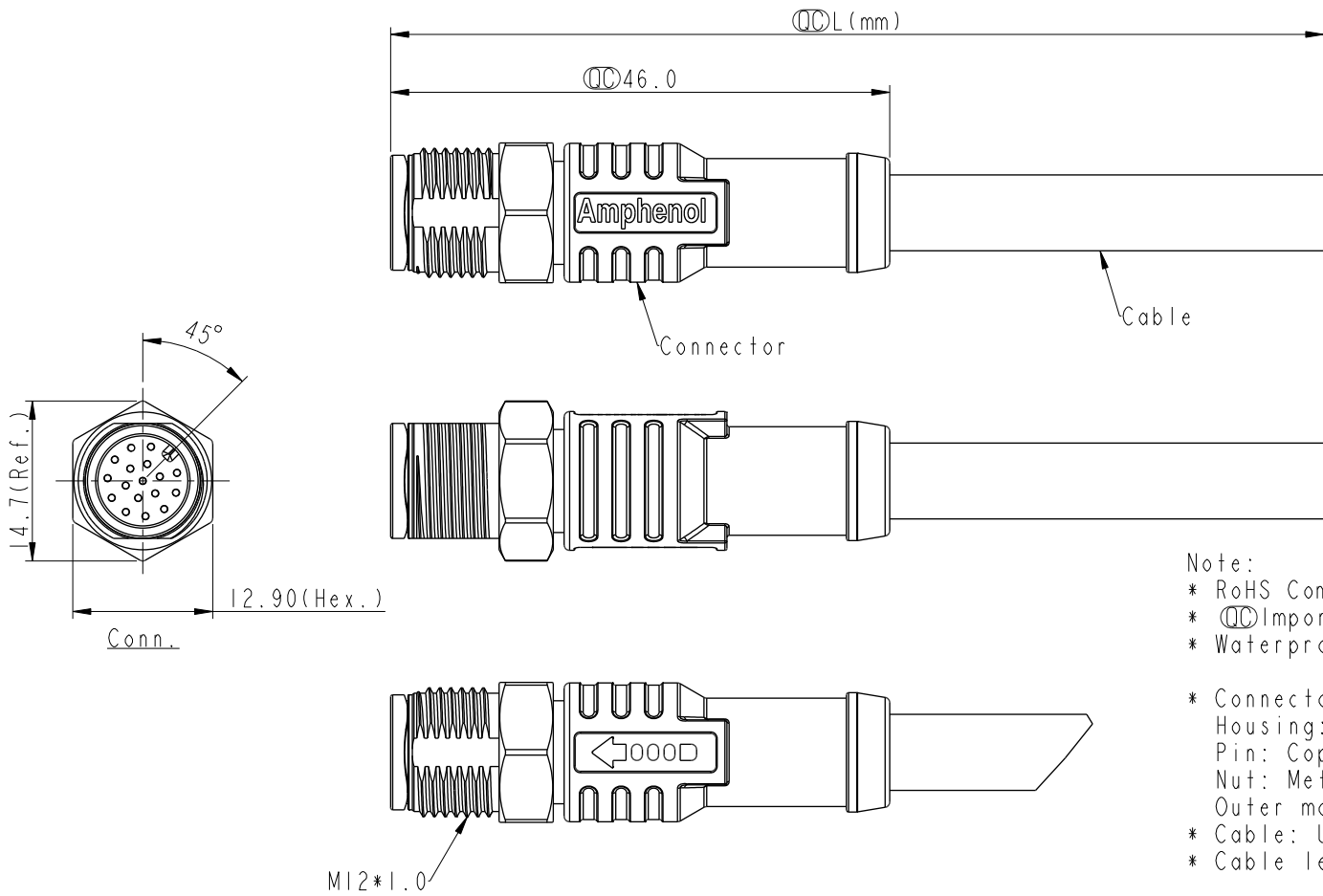


REV.	ECN NO.	DATE	SIGN	DESCRIPTION
A		2021-08-16	Allen Pan	Rev.02 To Rev.A



- Note:
- * RoHS Compliant
 - * \varnothing Important Dimension
 - * Waterproof rate: IPX8, mated 1m/24h
IPX9K, mated
 - * Connector
Housing: Thermoplastic, Black
Pin: Copper Alloy, Gold Plated
Nut: Metal
Outer mold: Thermoplastic, Black
 - * Cable: UL2517, PVC Jacket, Black
 - * Cable length tolerance: 1M: +50/-0 mm
1M < L ≤ 3M: +100/-0 mm
3M < L ≤ 5M: +150/-0 mm
5M < L ≤ 10M: ±100 mm
10M < L ≤ 20M: ±200 mm
20M < L ≤ 30M: ±300 mm
30M < L ≤ 99M: ±500 mm

UNIT: mm

TOLERANCE

±0.5mm

TITLE N SEN, M12 A-STAINLESS, SCREW CABLE W/O SR, M, M, MOLDING			
SCALE 3:2	SIZE A4	SHEET 1 OF 2	
REV. A	WC-REV. A.1	\varnothing : Inspection item	

Amphenol LTW
安費諾亮泰企業股份有限公司

ITEM NO.	DRAWN BY Allen Pan	DATE 2021-08-16
DWG NO. SM12A-XXBMMM-SL8DXX	CHECKED BY Sam Ho	DATE 2021-08-16
CUSTOMER ALTW	APPROVED BY Fred Lee	DATE 2021-08-16

THIS DOCUMENT IS SUBJECT TO CHANGE WITHOUT NOTICE. IT IS CONFIDENTIAL AND A PROPERTY OF Amphenol LTW. DISCLOSURE TO THIRD PARTY HAS TO BE AUTHORIZED BY Amphenol LTW.

