

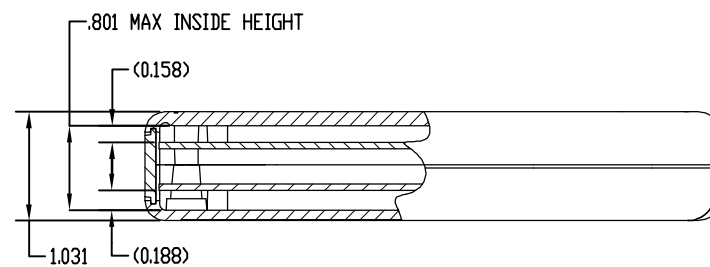
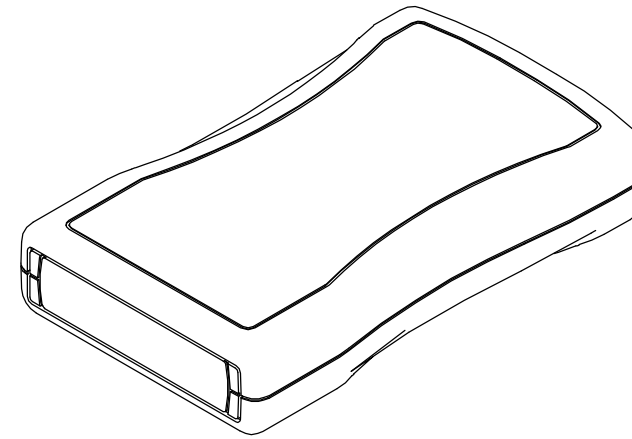
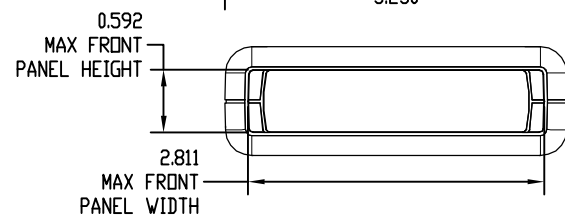
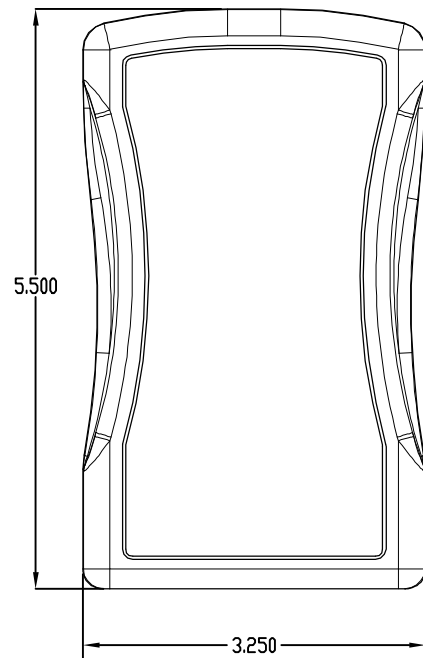
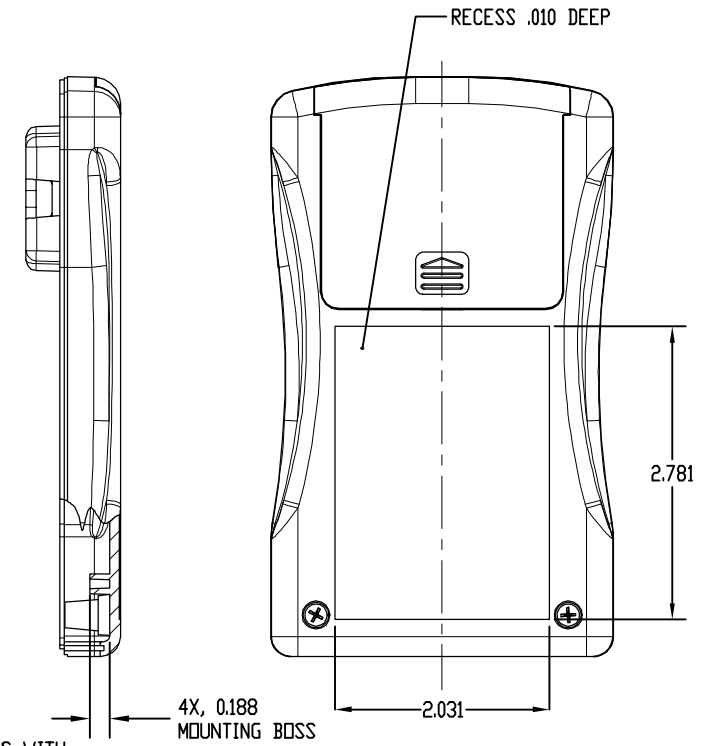
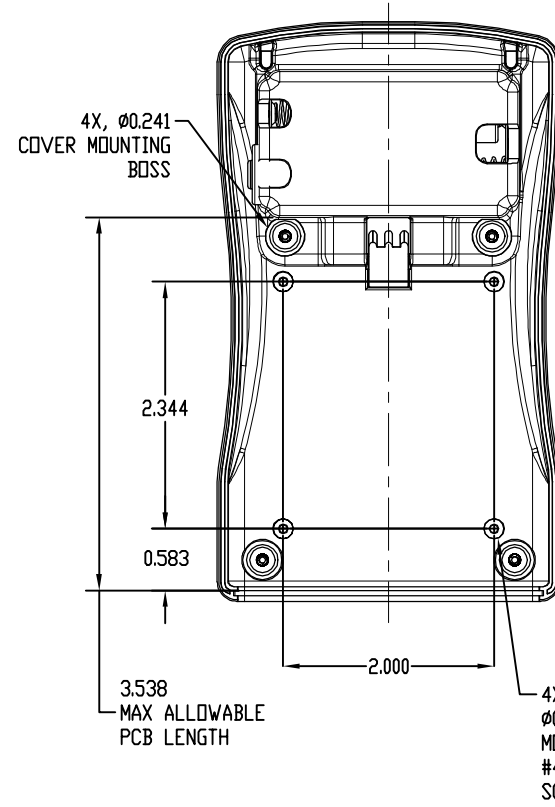
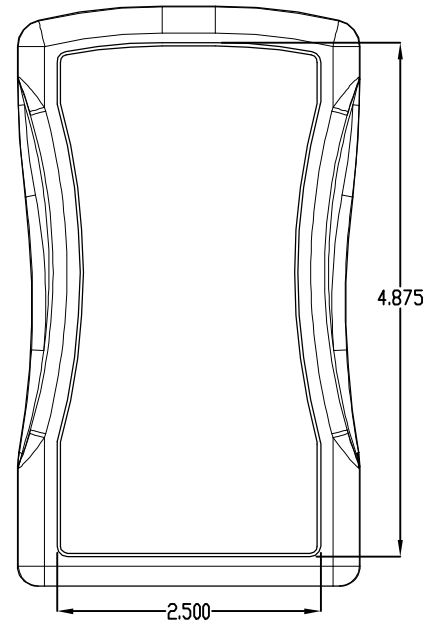
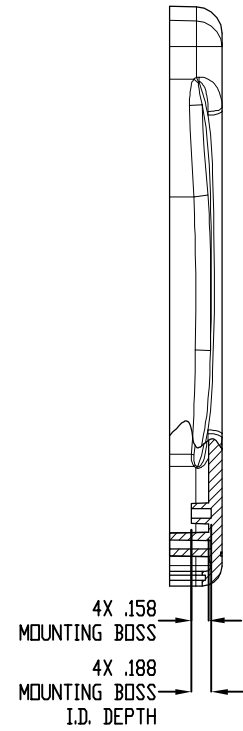
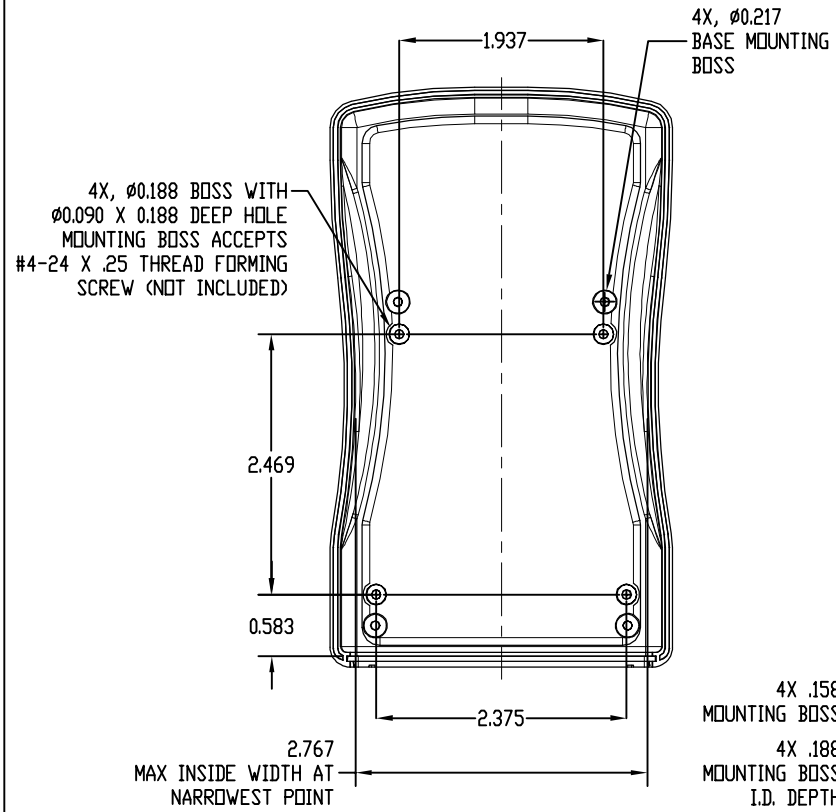
PART  
NAME

GRABBER STYLE K

PART  
No.

HH-3535

REV.  
DATE



MATERIAL: ABS, BLACK  
UL94V-0 FLAMMABILITY RATING

ENCLOSURE ACCEPTS (2) AA  
BATTERIES (NOT SUPPLIED)

DIMENSIONS ARE IN INCHES