



PRODUCT DATASHEET

Ronda series

last update 10/6/2016

DETAILS

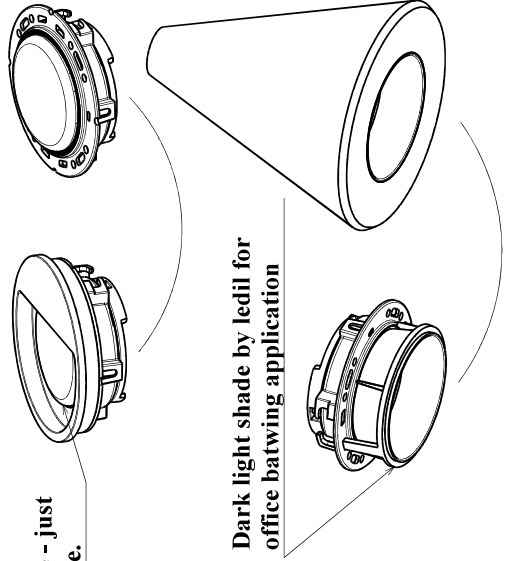
| | |
|------------------------|--------------------|
| Product Number | FCN15316_RONDA-WWW |
| Family | Ronda |
| Type | Assembly |
| Color | white |
| Diameter | 69,9 mm |
| Height | 19,8 mm |
| Style | round |
| Optic Material | PMMA |
| Holder Material | PC |
| Fastening | socket |
| Status | sample approved |
| ROHS Compliant | Yes |
| Date Updated | 10/06/2016 |



OPTICAL PROPERTIES

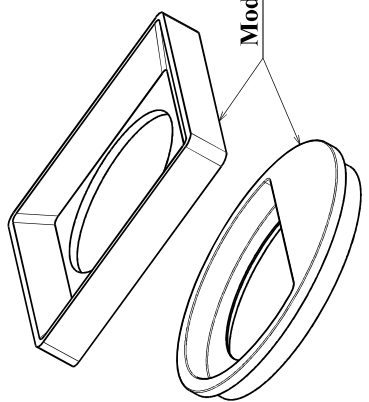
| LED | Viewing | Light | Effi- | cd/lm | Connector |
|------------------------------------|---------|-----------|-----------|------------|--------------------------|
| | Angle | Beam | ciency | | |
| VERO13 | sim: 78 | WWW-class | sim: 81 % | sim: 0.000 | LEDiL: LEDiL |
| CXA/B 13xx | sim: 90 | WWW-class | sim: 87 % | sim: 0.000 | Bender Wirth: 448 Typ L1 |
| CLL02x/CLU02x (LES10) | sim: 90 | WWW-class | sim: 86 % | sim: 0.000 | Bender Wirth: 434 Typ L1 |
| CLU710 | sim: 88 | WWW-class | sim: 87 % | sim: 0.000 | Bender Wirth: 470 Typ L1 |
| CLU700 | sim: 90 | WWW-class | sim: 87 % | sim: 0.000 | Bender Wirth: 434 Typ L1 |
| Mini Zenigata (GW6BM) | sim: 88 | WWW-class | sim: 86 % | sim: 0.000 | Bender Wirth: 452 Typ L1 |
| LUXEON CoB 1202s | sim: 90 | WWW-class | sim: 87 % | sim: 0.000 | Bender Wirth: 452 Typ L1 |
| CXA/B 15xx | sim: 90 | WWW-class | sim: 87 % | sim: 0.000 | Bender Wirth: 441 Typ L1 |
| CXA/B 1816 & CXA/B 1820 & CXA 1850 | sim: 90 | WWW-class | sim: 87 % | sim: 0.000 | Bender Wirth: 437 Typ L1 |
| Duris S10 | sim: 99 | WWW-class | sim: 86 % | sim: 0.000 | LEDiL: LEDiL |

H G F E D C B A

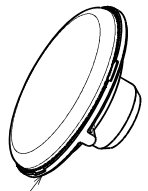


No extra seams on visible side - just lens surface and customer face.

Dark light shade by ledil for office batwing application



Modular look and assembly depth by customer

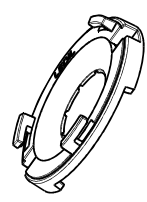


Optic

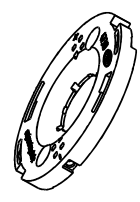
D=49.9

D=69.9mm

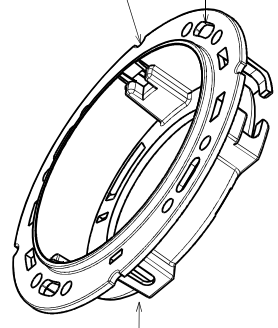
2 holder versions for most common connectors



Ledil-clamp / TE / Bender-wirth / other twist and lock socket types (holder A)



BJB and Stucchi (holder B)



Rotation fix

Vertical fix: M3 Screw / Twist and lock / Snap

Horizontal fix: M3 Nut + bolt

Multiple options to adapt customer face on holder without seams



LES size up to ~14mm, see compatibility www.ledil.com

Tolerances if not otherwise shown
According to DIN ISO 2768-1
for class M, otherwise class C
According to DIN ISO 2768-2
Form and position: class L

LEDIL

Ledil Oy
Salorankatu 10
FIN 24240 SALO
Finland



THIRD ANGLE PROJECTION:

This drawing is the property of LEDIL Oy. It may not be reproduced, copied or communicated without a written agreement with LEDIL Oy.

DRAWING TITLE

RONDA-family

SIZE PART NUMBER

A3

SCALE 1:1 WEIGHT -

SHEET 1/3

H

G

B

A

4

3

2

1

4

3

2

1

H G F E D C B A

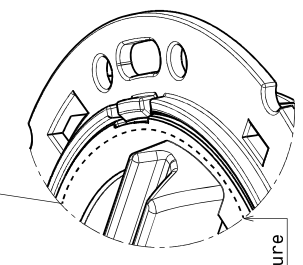
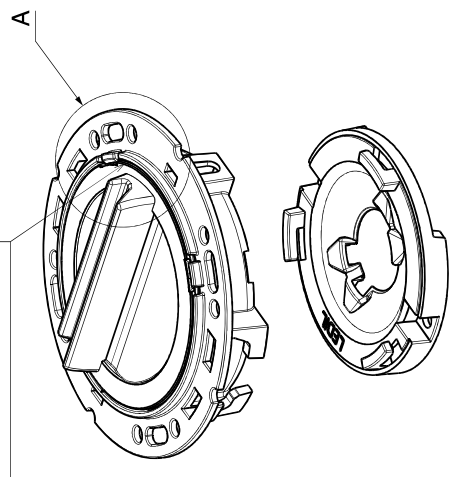
4

3

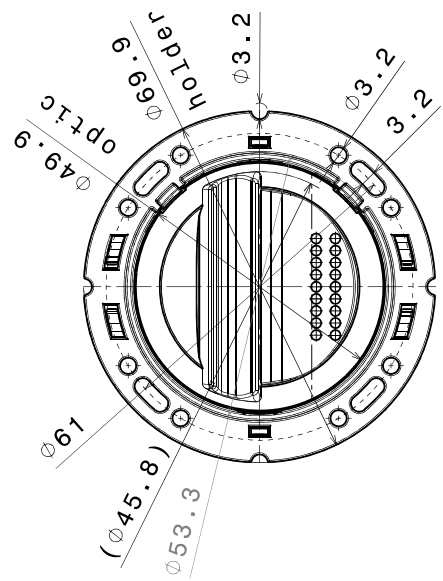
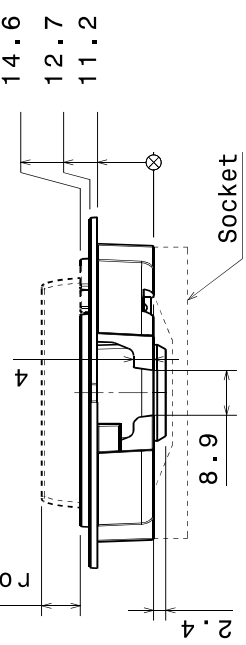
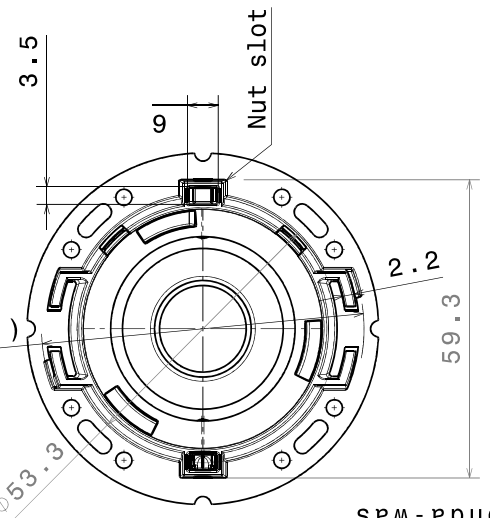
2

1

Recommended to bring customer front panel over seam for most solid final product outlook.



Front panel fixture



| | | | |
|---|---------------------|--|--------------------------|
| <p>Tolerances if not otherwise shown According to DIN ISO 2768-1 M: maximum class M, otherwise class C According to DIN ISO 2768-2 Form and position: class L</p> | | <p>LEDIL Ledil Oy Salorankatu 10 FIN-24240 SALO Finland</p> | |
| <p>THIRD ANGLE PROJECTION:</p> | | <p>DRAWING TITLE RONDA-family</p> | |
| <p>This drawing is the property of LEDIL Oy. It may not be reproduced, copied or communicated without a written agreement with LEDIL Oy.</p> | | <p>SIZE A3</p> | <p>PART NUMBER -</p> |
| <p>SCALE 1:1</p> | <p>WEIGHT -</p> | <p>SHEET 2/3</p> | <p>A</p> |

4

3

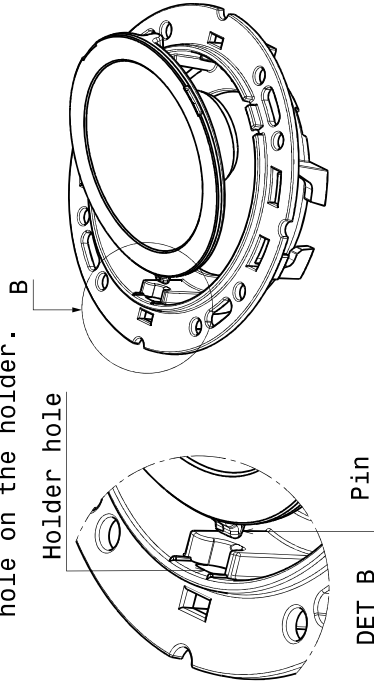
2

1

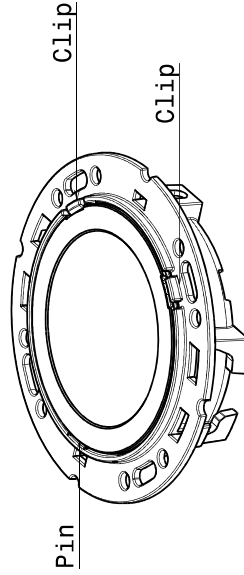
H G F E D C B A

OPTIC/HOLDER ASSEMBLY

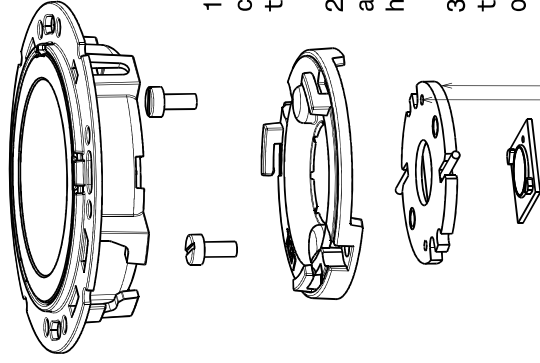
- Place pin on the side of the lens into relative hole on the holder.



- Press the lens under clips on the holder, ensuring both clips are fixed.



TYPICAL CONNECTOR ASSEMBLY (including solderless BENDER WIRTH as example)



- Ensure correct relation of clamp and connector before screwing. Recommended torque 0.6Nm.
- Assemble LED, BENDER&WIRTH connector and C13658_CLAMP-VERO13-18 clamp on heatsink with M3 screw.
- Attach optic by aligning the holes in the holder with hooks and turning the optic holder clockwise until it locks.

Bender&Wirth model 4xx Typ L1

Align clamp positioning pin with holes in the connector.

Tolerances if not otherwise shown
According to DIN ISO 2768-1
M: maximum class, L: minimum class
According to DIN ISO 2768-2
Form and position: class L



THIRD ANGLE PROJECTION:

This drawing is the property of LEDIL Oy. It may not be reproduced, copied or communicated without a written agreement with LEDIL Oy.

LEDIL
Ledil Oy
Salorankatu 10
FIN 24240 SALO
Finland

DRAWING TITLE

RONDA-family

SIZE PART NUMBER

A3

SCALE 1:1 WEIGHT -

SHEET 3/3

H

G

F

E

D

C

B

A

4

3

2

1

4

3

2

1

NOTE: The typical divergence will be changed by different color, chip size and chip position tolerance. The typical total divergence is the full angle measured where the luminous intensity is half of the peak value.

GENERAL INFORMATION

- Product series especially designed & optimized for series of LEDs.
- Special care taken to make light distribution as uniform as possible.

Note! Due to use of high power COB's with this product, special attention to proper thermal design is highly recommended. LEDiL has no liability for direct, indirect or consecutive damages arising from the LEDiL products being used outside of the recommended temperature range.