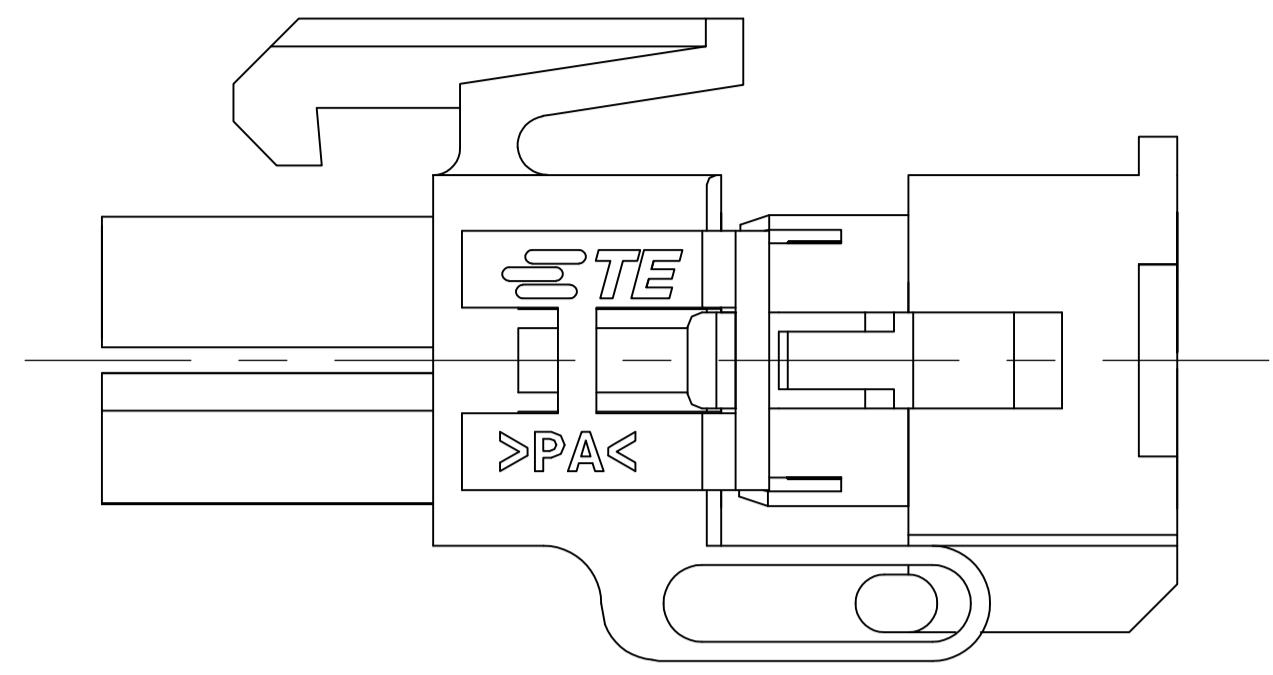
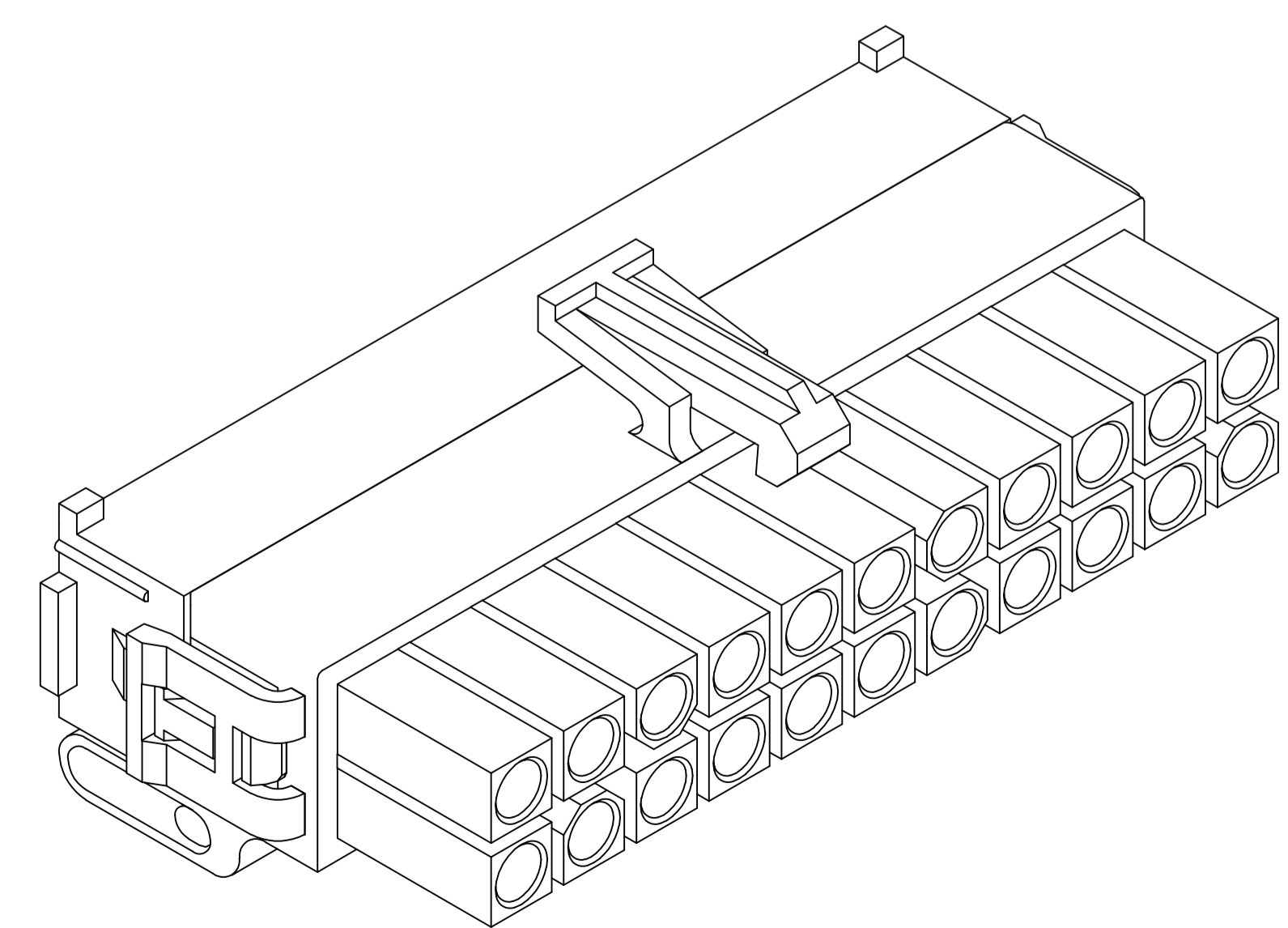
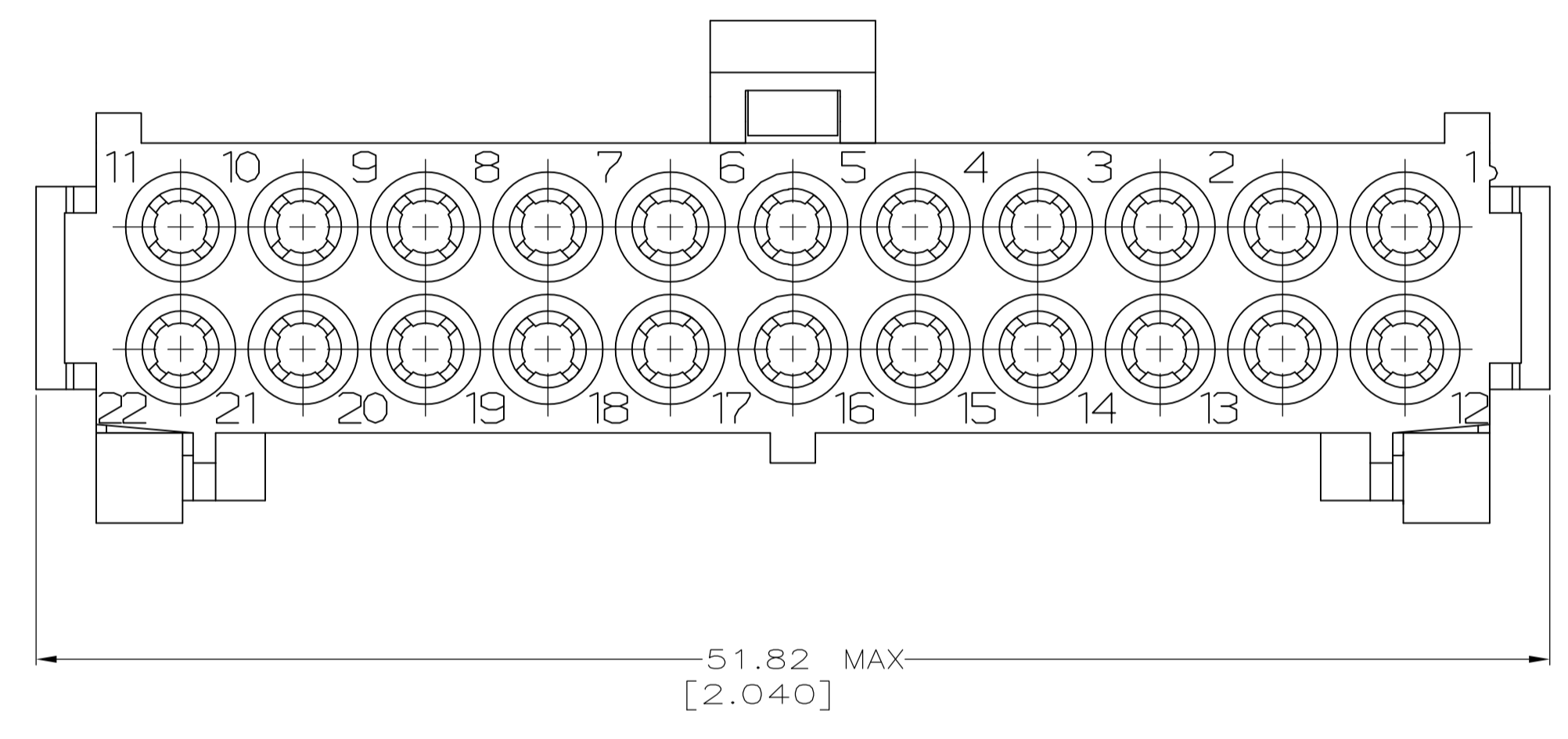
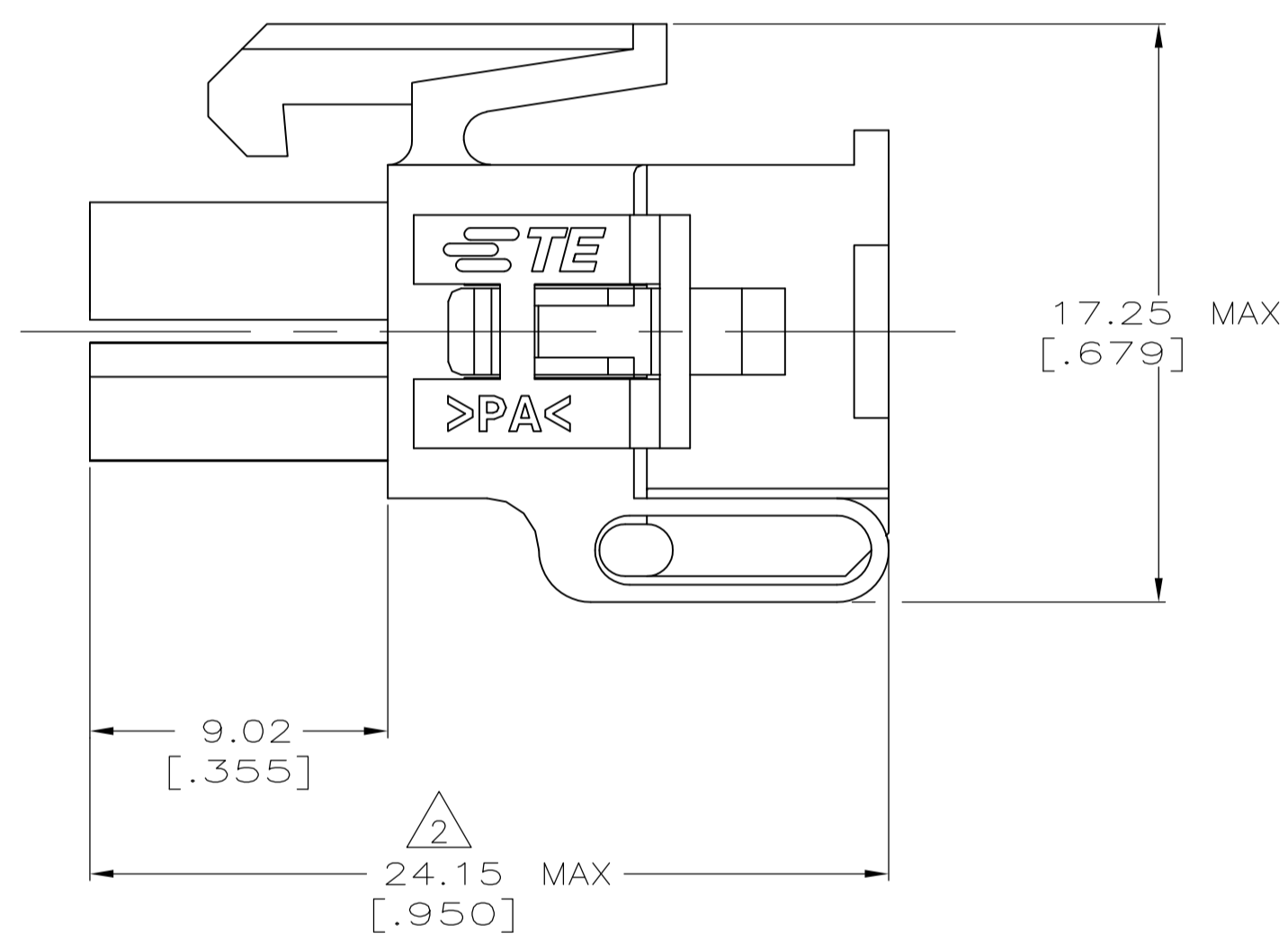
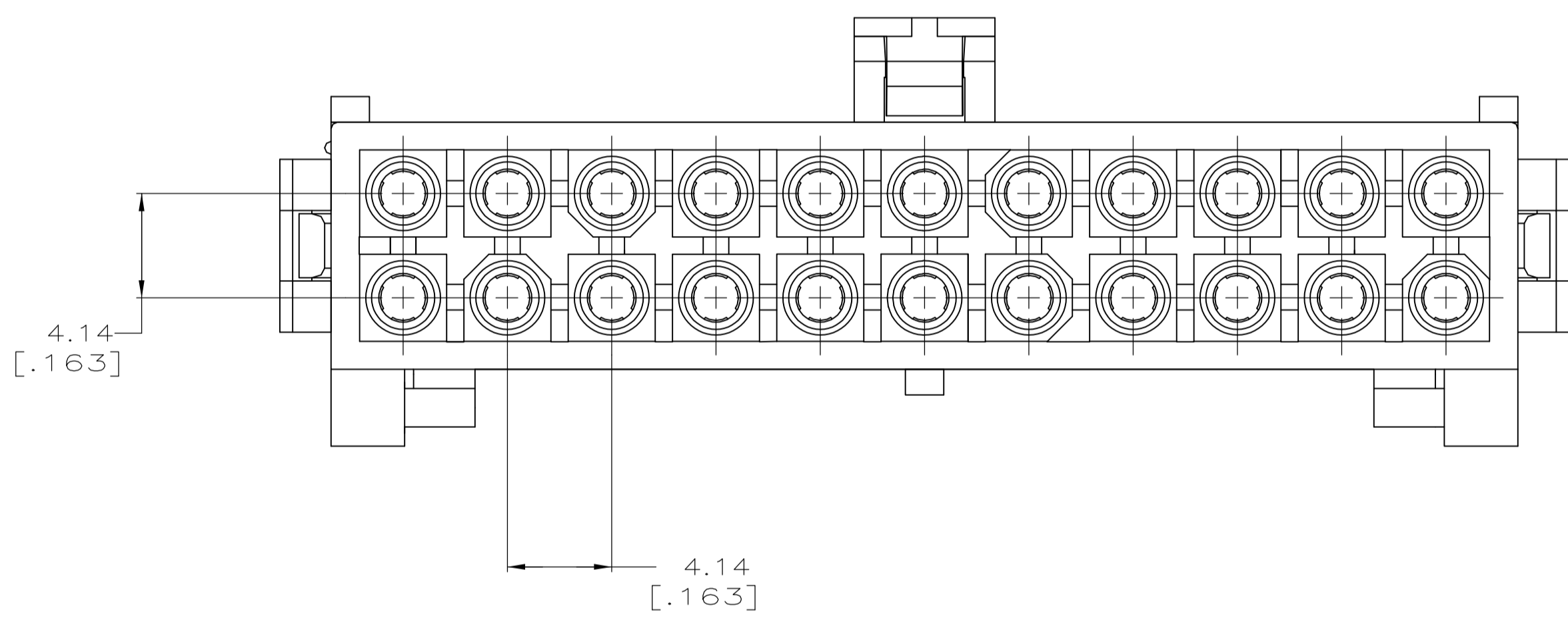


REVISIONS					
P	LTR	DESCRIPTION	DATE	DMN	APVD
C3		REVISED PER ECR-16-010480	28OCT16	SC	DZ



PRE-STAGED CONDITION

1 DIMENSIONS IN BRACKETS ARE IN INCHES.  
 2 DIMENSION INDICATED IS AS MOLDED. ADDITIONAL GROWTH DUE TO SUBSEQUENT MOISTURE ABSORPTION MAY OCCUR.



3-DIMENSIONAL MODEL NTS

794212-1  
PART NUMBER

THIS DRAWING IS A CONTROLLED DOCUMENT.		DMN K. WHITAKER 5-20-97	TE Connectivity
DIMENSIONS: mm		CHK R. SWING 5-20-97	
TOLERANCES UNLESS OTHERWISE SPECIFIED:		APVD R. ORSTAD 5-20-97	NAME PLUG, 22 CIRCUIT, MINI UNIVERSAL MATE-N-LOK™ 2
0. PLC ± -		PRODUCT SPEC	
1. PLC ± -		APPLICATION SPEC	
2. PLC ± -		SIZE	A1
3. PLC ± 0.13 [.005]		WEIGHT	0
4. PLC ± -		CAGE CODE	00779
ANGLES ± -		DRAWING NO	794212
		RESTRICTED TO	
MATERIAL NYLON, UL94V-0, NATURAL	FINISH -	CUSTOMER DRAWING	SCALE 5:1 SHEET 1 OF 1 REV C3