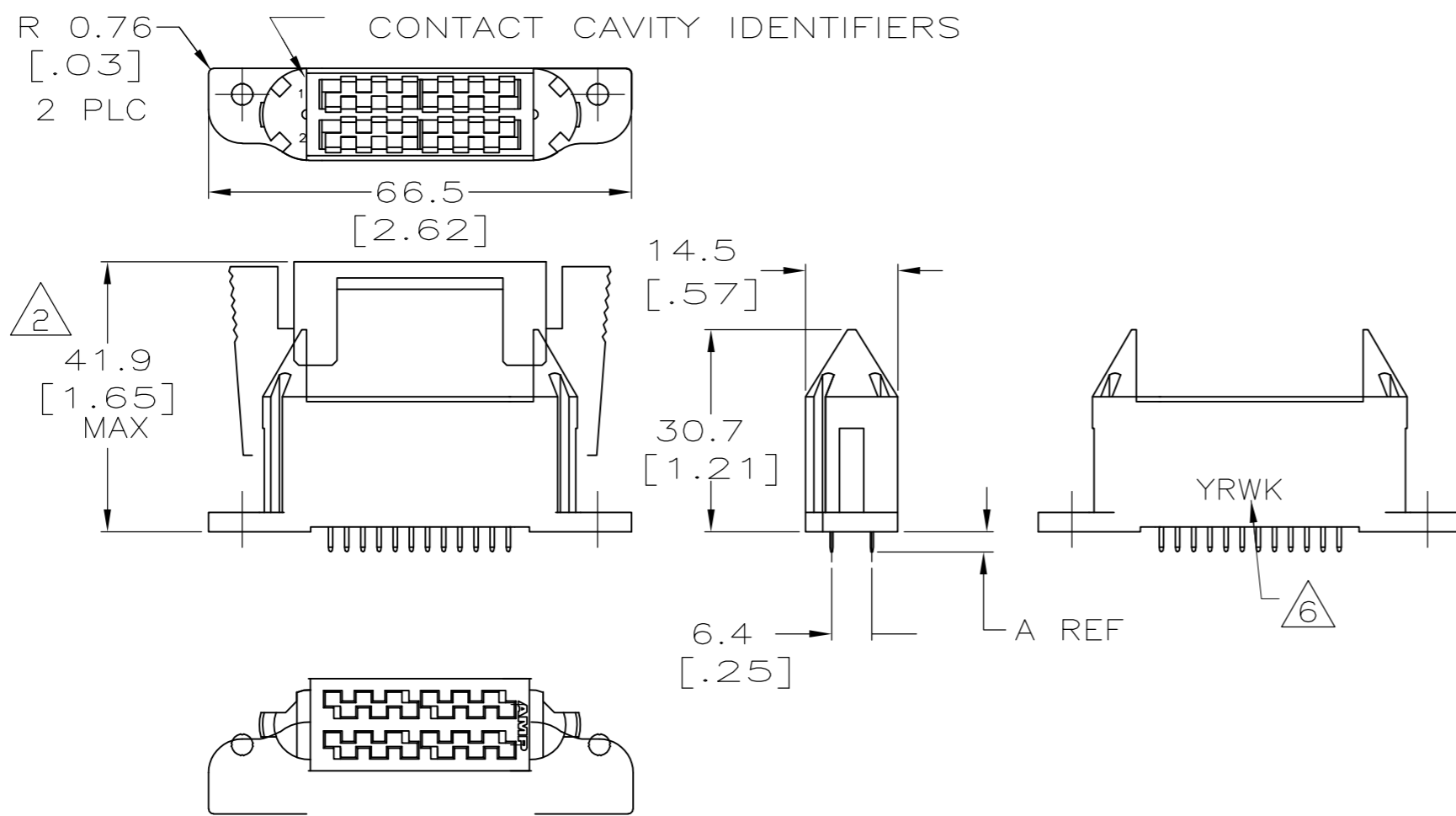


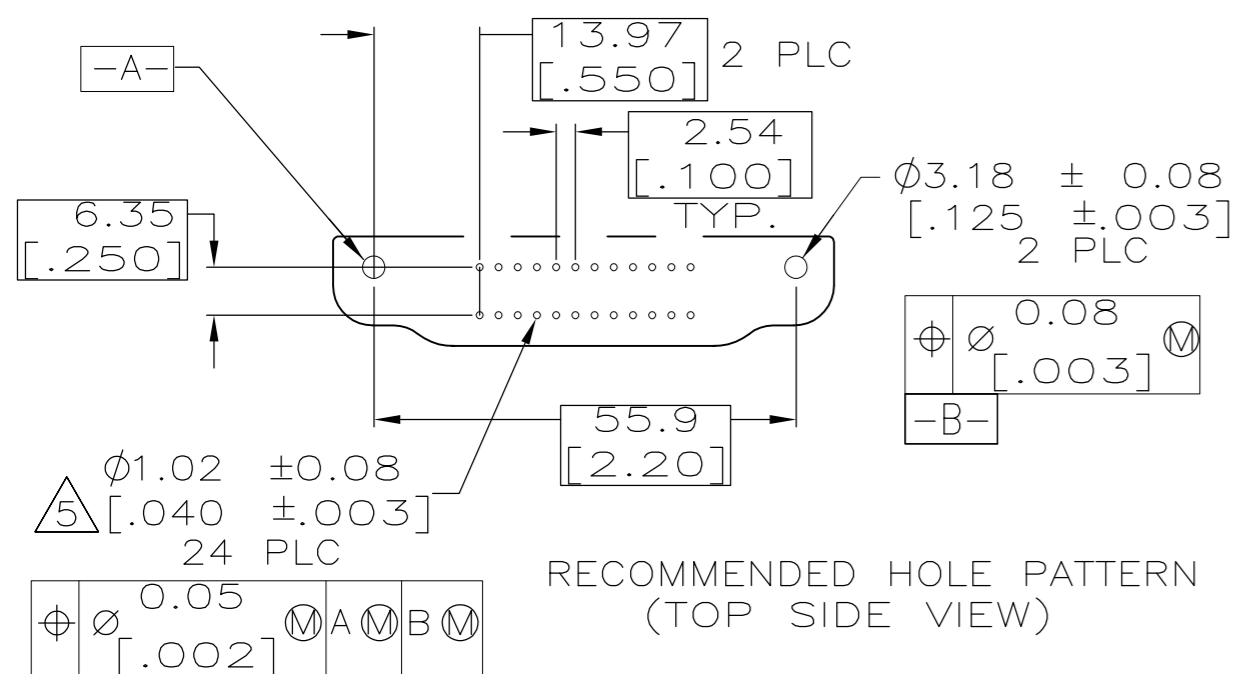
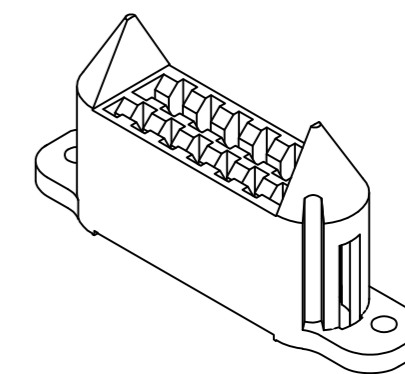
THIS DRAWING IS UNPUBLISHED. RELEASED FOR PUBLICATION  
 © COPYRIGHT BY TYCO ELECTRONICS CORPORATION. ALL INTERNATIONAL RIGHTS RESERVED.

LOC	DIST	REVISIONS					
GP	00	P	LTR	DESCRIPTION	DATE	DWN	APVD
		N		REV PER ECO-10-021237	19JAN2011	RG	MS

AMPOWER and ACTION PIN are registered trademarks of AMP Incorporated.



- 1 MOUNTING HARDWARE, 2 #4-40 SCREWS AND NUTS OR 2 EYELETS (PN 748572-2) ARE REQUIRED.
- 2 HEIGHT OF MATED ASSEMBLY.
- 3 WITH ACTION PIN TAILS.
- 4 HIGH TEMPERATURE MATERIAL.
- 5 HOLE DIAMETER AFTER PLATING.
- 6 ADD 2-DIGIT YEAR AND 2-DIGIT WEEK CODE IN WHITE INDELIBLE INK, .13" CHARACTER HEIGHT APPROX AS SHOWN (NOTE CONDUCTOR 1&3 SIDE OF HOUSING).
- 7 OBSOLETE PARTS: OBSOLETE CIS STREAMLINING PER D.RENAUD/D.SINISI



	7.7 [.31]	6.35 [.250] THK PCB	765527-9
△ OBSOLETE	5.9 [.24]	4.75 [.187] THK PCB	765527-8
	4.1 [.16]	3.18 [.125] THK PCB	765527-7
△ OBSOLETE	3.3 [.13]	1.57-2.36 [.062-.093] THK PCB	765527-6
	---	2.36 [.093] AND THICKER PCB'S	765527-5
△ OBSOLETE	7.7 [.31]	6.35 [.250] THK PCB	765527-4
	5.9 [.24]	4.75 [.187] THK PCB	765527-3
	4.1 [.16]	3.18 [.125] THK PCB	765527-2
	3.3 [.13]	1.57-2.36 [.062-.093] THK PCB	765527-1
	DIM "A"	DESCRIPTION	PART NUMBER

THIS DRAWING IS A CONTROLLED DOCUMENT.		DWN D. PUERNER 09-22-92	Tyco Electronics Corporation Harrisburg, PA 17105-3608	
DIMENSIONS: INCHES		CHK SRS 09-22-92	NAME	
TOLERANCES UNLESS OTHERWISE SPECIFIED:		APVD ALG 09-22-92	PRODUCT SPEC	
0 PLC ± -		108-1319		
1 PLC ± -		APPLICATION SPEC		
2 PLC ± 0.25 [.010]		114-49005		
3 PLC ± 0.13 [.005]		WEIGHT -		
4 PLC ± -		SIZE A2 CAGE CODE 00779 C=765527		
ANGLES ± -		DRAWING NO		
FINISH SILVER ON MATING END, ALL OVER NICKEL.		RESTRICTED TO -		
MATERIAL THERMOPLASTIC, 94V-0 RATED, COLOR- BLACK HIGH-TEMP, NATURAL CONTACTS- COPPER ALLOY		SCALE FULL SHEET 1 of 1 REV N		