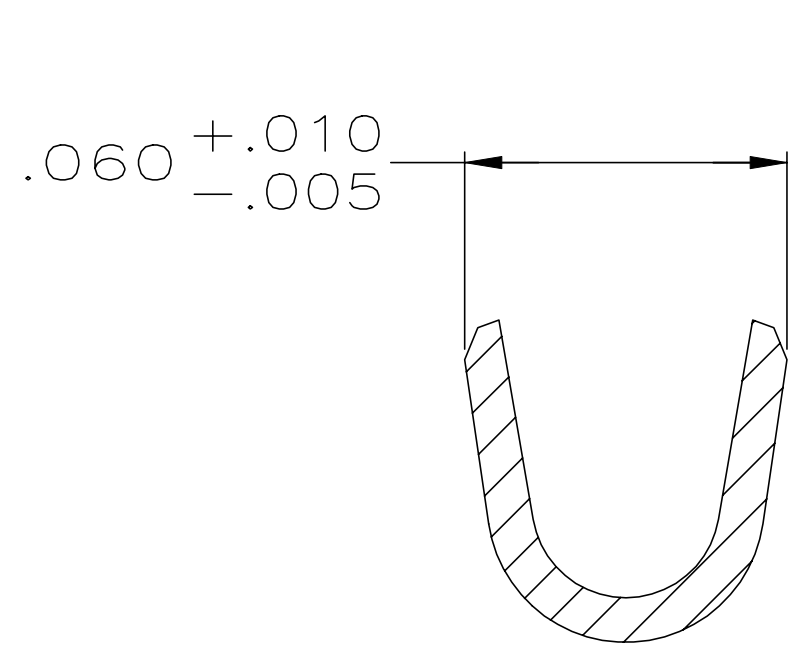
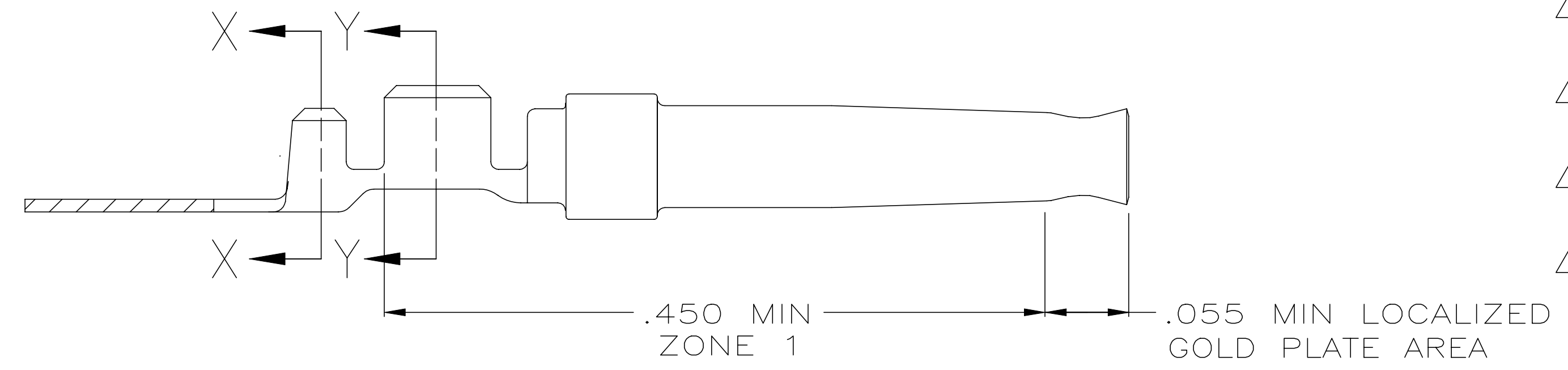
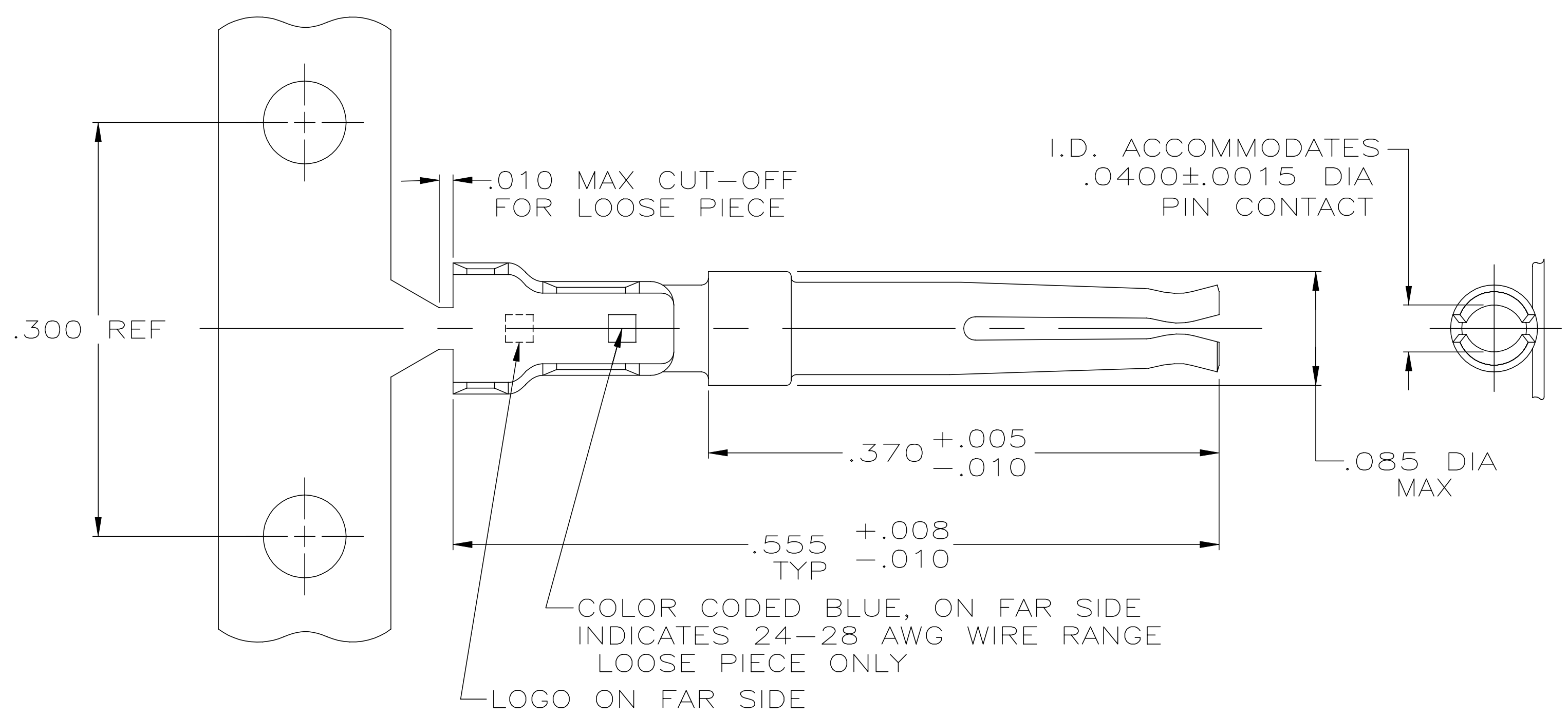
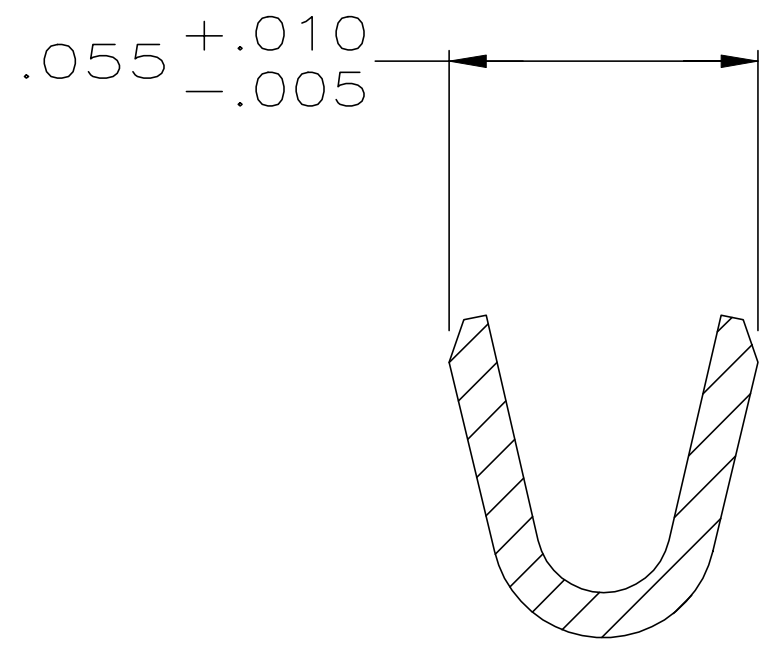


THIS DRAWING IS UNPUBLISHED. RELEASED FOR PUBLICATION
 © COPYRIGHT - By - ALL RIGHTS RESERVED.

| LOC | DIST | REVISIONS | | | |
|-----|------|------------------------------|-----------|-----|------|
| P | LTR | DESCRIPTION | DATE | DWN | APVD |
| GP | 00 | AT REVISED PER ECO-19-003064 | 09JUL2020 | AP | EB |



SECTION X-X
SCALE 20:1



SECTION Y-Y
SCALE 20:1

- 1 FOR MINI-APPLICATOR AND STRIPPER CRIMPER.
- 2 FOR HAND TOOL USE ONLY.
- 3 FOR STANDARD APPLICATOR PART #566184 ONLY.
- 4. WIRE RANGE OF 24-28, INSULATION RANGE OF .030-.040.
- 5. GOLD PLATING MAY NOT APPEAR ON CARRIER STRIP. NICKEL UNDERPLATE COVERS ENTIRE CONTACT.
- 6 GOLD PLATING PER MIL-G-45204, NICKEL PLATING PER QQ-N-290, TIN PLATING PER MIL-T-10727, COPPER PLATING PER MIL-C-14550.
- 7 PLATED WITH .000050 GOLD ON INSIDE OF LOCALIZED GOLD PLATE AREA, .000050 GOLD ON ZONE 1, ALL OVER .000050 NICKEL UNDERPLATE.
- 8 PLATED WITH .000030 GOLD ON INSIDE OF LOCALIZED GOLD PLATE AREA, GOLD FLASH ON ZONE 1, ALL OVER .000050 NICKEL UNDERPLATE.
OR
GOLD FLASH OVER PALLADIUM-NICKEL, .000030 TOTAL ON INSIDE OF LOCALIZED GOLD PLATE AREA, GOLD FLASH ON ZONE 1, ALL OVER .000050 NICKEL UNDERPLATE.
- 9 GOLD FLASH ON INSIDE OF LOCALIZED GOLD PLATE AREA, GOLD FLASH ON ZONE 1, ALL OVER .000030 NICKEL UNDERPLATE.
- 10 PLATED WITH .000100-.000200 TIN.
- 11 PLATED WITH .000050 GOLD ON INSIDE OF LOCALIZED GOLD PLATE AREA, GOLD FLASH ON ZONE 1, ALL OVER .000050 NICKEL UNDERPLATE.
- 12 PLATED WITH .000015 GOLD IN LOCALIZED GOLD PLATE AREA, GOLD FLASH ON REMAINDER, OVER .000050 NICKEL.
- 13 PLATED WITH GOLD FLASH IN LOCALIZED GOLD PLATE AREA, TIN PLATED WIRE BARRELS, OVER .000030 NICKEL.
- 14 PLATED WITH .000030 GOLD IN LOCALIZED GOLD PLATE AREA, TIN PLATED WIRE BARRELS, OVER .000050 NICKEL.
- 15 AMP ITALY PART NUMBER ONLY.

| STATUS | STANDARD | FINISH | USE | TYPE | PART NUMBER |
|-------------------------|------------|--------|------|-------------|-------------|
| OBSOLETE | STANDARD | 13 | 3 | STRIP | 7-66505-0 |
| | SMALL PACK | 8 | 2 | LOOSE PIECE | 6-66505-9 |
| SUPERSEDED BY 66505-9 | STANDARD | 14 | 2 | LOOSE PIECE | 6-66505-2 |
| OBSOLETE | STANDARD | 14 | 1 | STRIP | 6-66505-0 |
| OBSOLETE | STANDARD | 13 | 2 | LOOSE PIECE | 5-66505-9 |
| OBSOLETE | STANDARD | 13 | 1 | STRIP | 5-66505-7 |
| 15 OBSOLETE | STANDARD | 12 | 1 | STRIP | 5-66505-5 |
| | STANDARD | 11 | 1 | STRIP | 2-66505-7 |
| SUPERSEDED BY 5-66505-7 | STANDARD | 10 | 1 | STRIP | 1-66505-4 |
| | STANDARD | 9 | 3 | STRIP | 1-66505-3 |
| OBSOLETE | STANDARD | 8 | 3 | STRIP | 1-66505-2 |
| | STANDARD | 9 | 2 | LOOSE PIECE | 1-66505-0 |
| | STANDARD | 8 | 2 | LOOSE PIECE | 66505-9 |
| | STANDARD | 7 | 2 | LOOSE PIECE | 66505-8 |
| | STANDARD | 9 | 1 | STRIP | 66505-4 |
| | STANDARD | 8 | 1 | STRIP | 66505-3 |
| | STANDARD | 7 | 1 | STRIP | 66505-2 |
| PACKAGING TYPE | FINISH | USE | TYPE | PART NUMBER | |

THIS DRAWING IS A CONTROLLED DOCUMENT. DIMENSIONING AND TOLERANCING PER ASME Y14.5M-2009

DWN: C. RICHARD 1-6-87
 CHK: S. WELDON 1-7-87
 APVD: -
 NAME: -
 PRODUCT SPEC: -
 APPLICATION SPEC: 114-10000
 MATERIAL: PHOSPHOR BRONZE
 FINISH: SEE TABLE
 WEIGHT: -
 CUSTOMER DRAWING

SOCKET CONTACT, SIZE 20 DF, 24-28 AWG, W/ .030-.040 DIA INSULATION SUPPORT,
 SIZE: A2 CAGE CODE: 00779 DRAWING NO: C-66505 RESTRICTED TO: -
 SCALE: 10:1 SHEET: 1 OF 1 REV: AT