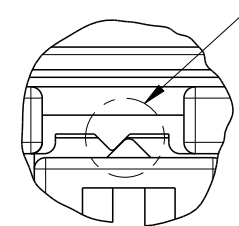
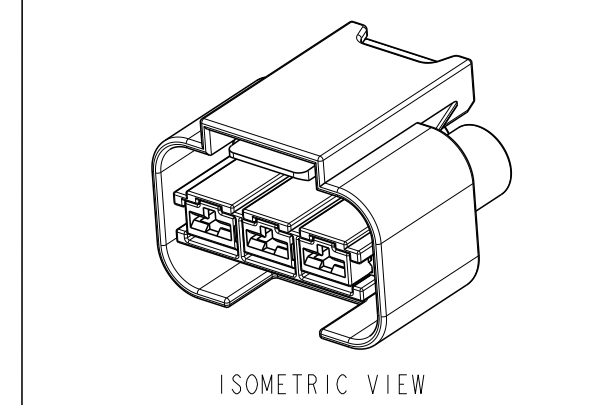
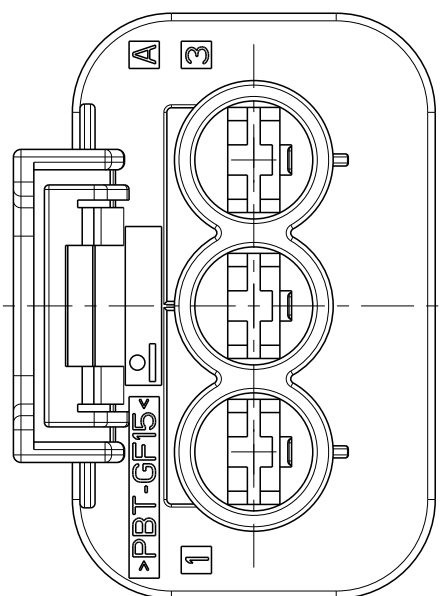
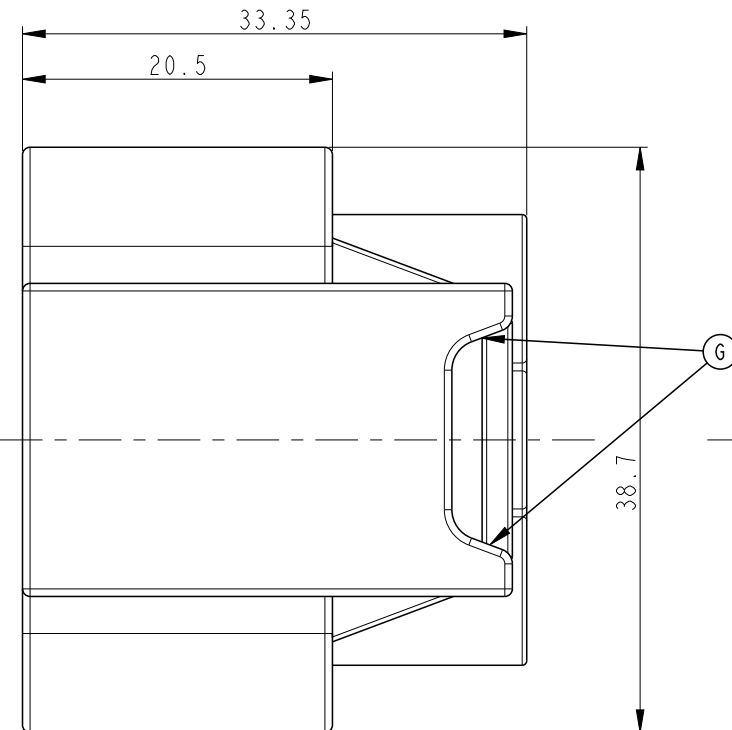
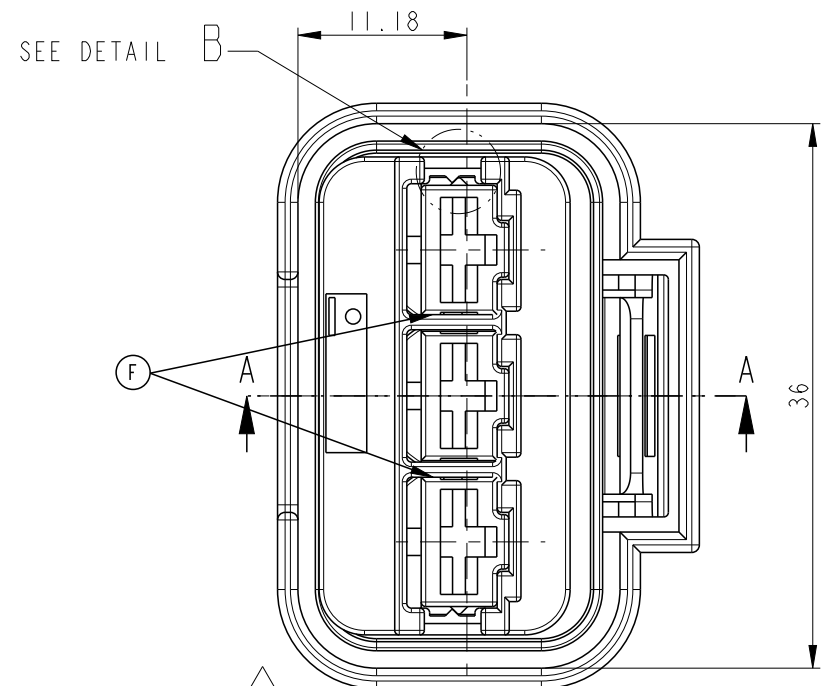
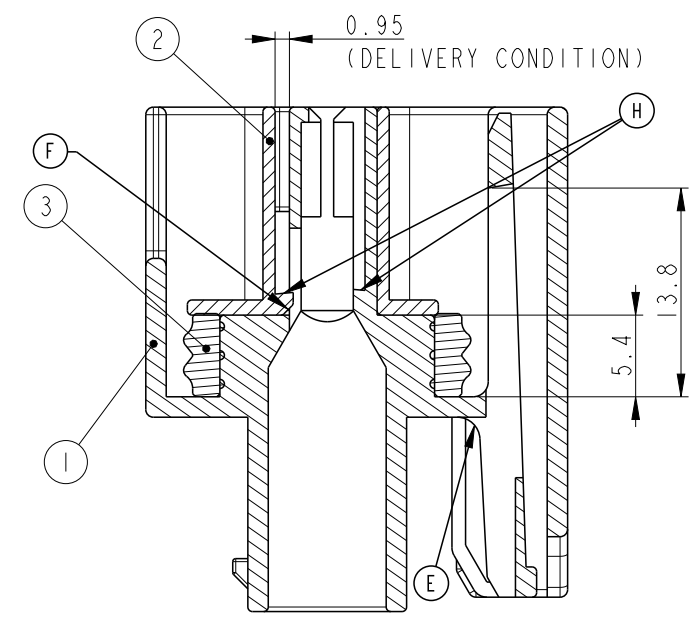
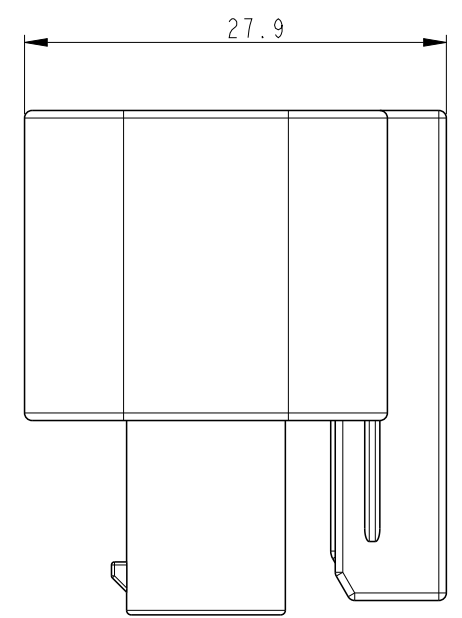


REVISIONS

P	LTR	DESCRIPTION	DATE	DWN	APVD
E		REVISED (ECR-17-012288)	23AUG2017	SJ	YJ
F		REVISED (ECR-18-010532)	25JUN2018	TY	YJ
G		REVISED (ECR-18-013276)	26NOV2018	CH	YJ
H		REVISED (ECR-21-104386)	15MAY2021	CI	YJ



DETAIL B SCALE 5:1



SECTION A-A

- NOTE  
 1. CONDITION OF DELIVERY : DBL HSG IN OPEN POSITION  
 2. APPLIED WIRE COVER HSG P/N : X-1743274-X (CORRUGATE DIA : Ø9)  
 3. APPLICABLE RECEPTACLE CONTACT P/N :

CONTACT P/N	SPT TERMINAL		
	927836	927835	928966
WIRE SIZE(mm <sup>2</sup> )	0.5-1.0	1.0-2.5	2.5-4.0

4. GENERAL TOLERANCE : ±0.3, ±3°  
 5. APPLICABLE WIRE SEAL P/N:

PART NO.	WIRE INSULATION DIAMETER(mm)	COLOR
963243-1	1.4-2.1	BLUE
963244-1	2.2-3.0	WHITE
963245-1	3.4-3.7	YELLOW
100132-1	CAVITY PLUG	BLACK

NO	COLOR	MATERIAL	DESCRIPTION	Q'TY
3	RED ORANGE	SILICONE	INNER SEAL FOR SPT SEALED 3P PLUG	1
2	NATURAL	PBT-GF10	DBL HSG FOR SPT SEALED 3P PLUG	1
1	GRAY	PBT-GF15	SPT SLEALED 3P PLUG HSG	1
	BLACK			-

ASS'T P/N
1743271-3
1743271-2

THIS DRAWING IS A CONTROLLED DOCUMENT.

DIMENSIONS: mm	TOLERANCES UNLESS OTHERWISE SPECIFIED: 0 PLC ± 1 PLC ± 2 PLC ± 3 PLC ± 4 PLC ± ANGLES ± FINISH ±
MATERIAL SEE TABLE	

DWN CH PARK
CHK YM CHOI
APVD JK SONG
PRODUCT SPEC
APPLICATION SPEC
WEIGHT
CUSTOMER DRAWING

**TE** TE Connectivity

NAME  
SPT SEALED 3P PLUG ASS'Y

SIZE A3	CAGE CODE 00779	DRAWING NO C-1743271	RESTRICTED TO -
SCALE 2:1		SHEET 1 OF 1	REV H