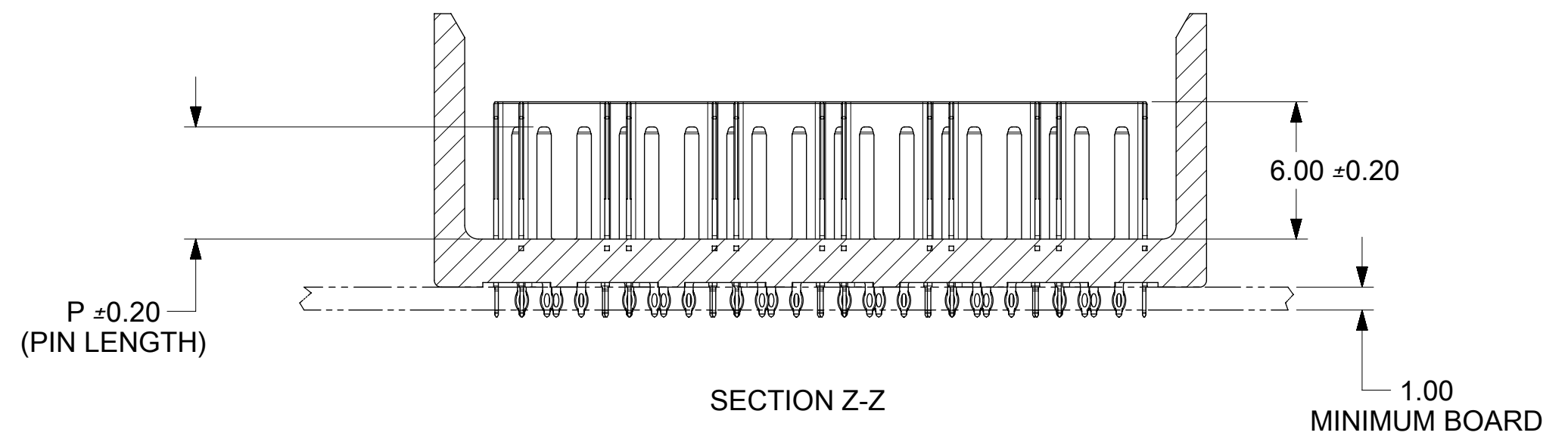
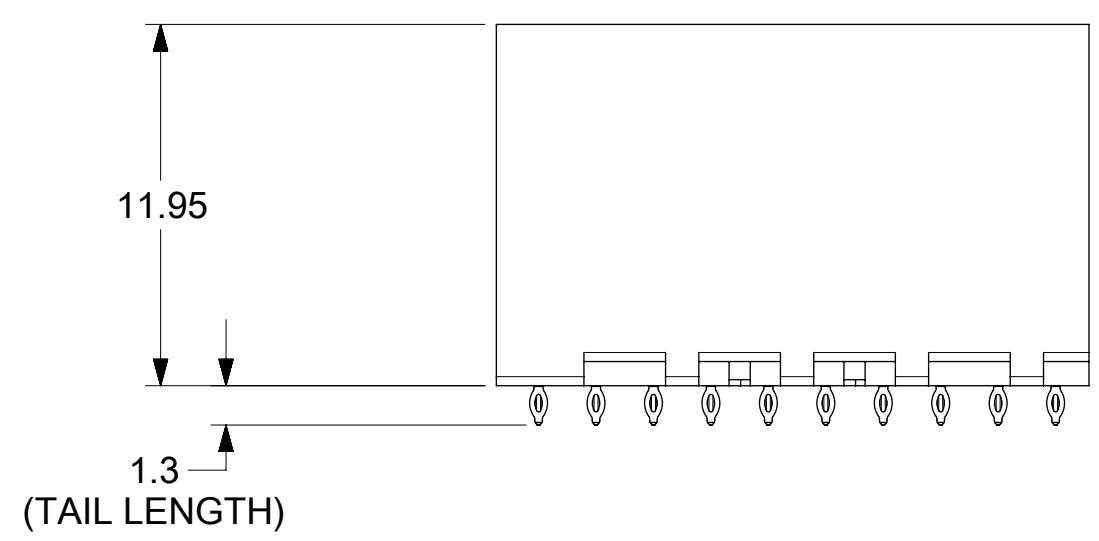


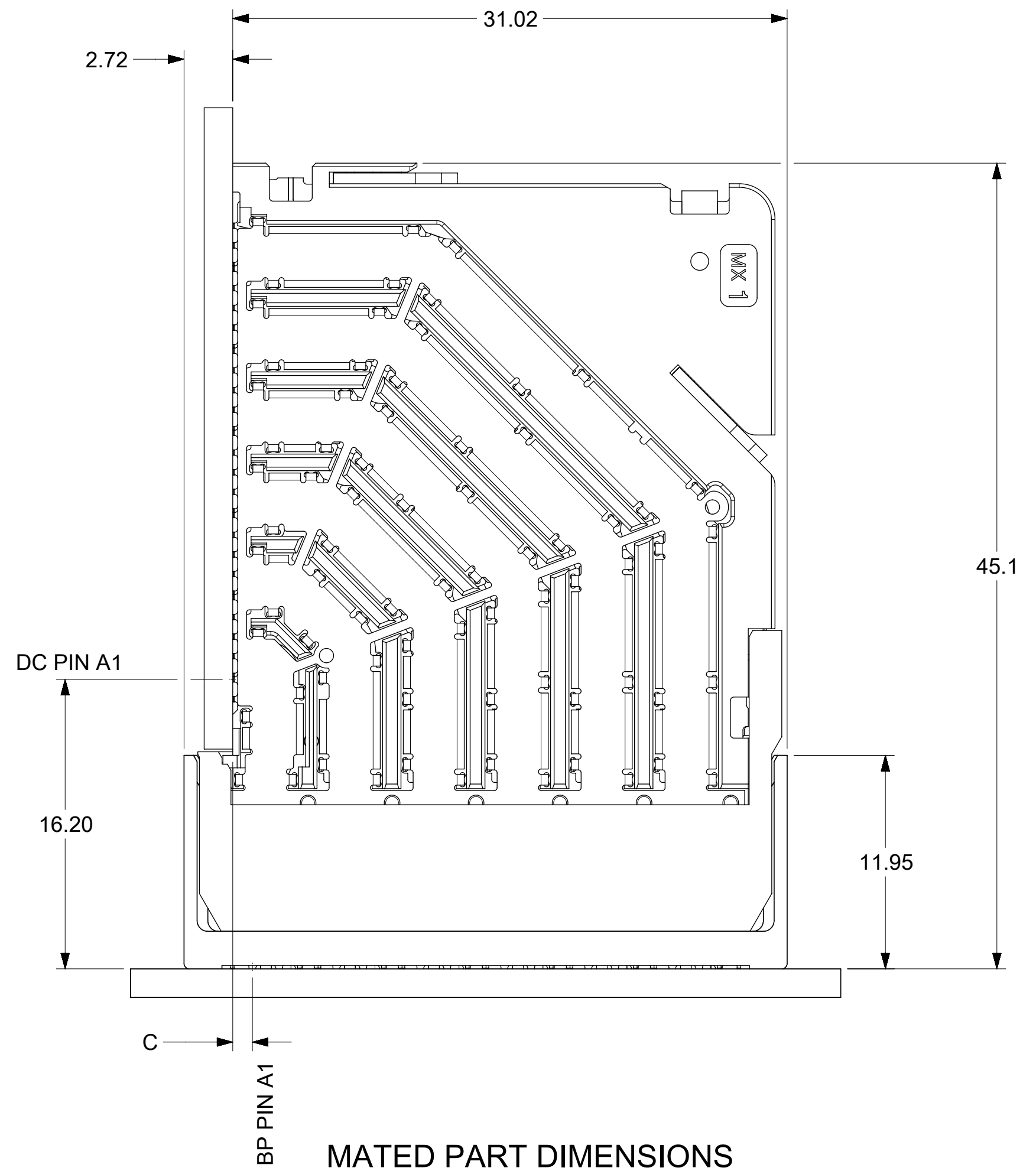
- NOTES:
1. MATERIALS: HOUSING - LIQUID CRYSTAL POLYMER (LCP) GLASS-FILLED, UL94V-0
TERMINALS - HIGH PERFORMANCE COPPER ALLOY
 2. FINISH: 30uIN GOLD IN CONTACT AREA.
SELECTIVE TIN ON PCB TAILS.
NICKEL OVERALL.
 3. REFER TO MOLEX PRODUCT SPECIFICATION PS-171320-999 FOR PERFORMANCE SPECIFICATIONS.
 4. THIS PART CONFORMS TO CLASS B REQUIREMENTS OF MOLEX COSMETIC SPEC PS-45499-002.
 5. PRODUCT WILL BE PACKAGED PER PK-78888-087.
 6. SEE SHEETS 2, 3, AND 4 FOR HOLE PATTERN AND MATED PART DIMENSIONS.
 7. MATES WITH IMPEL DC SERIES NUMBER 171400 OR IMPEL PLUS MEZZ SERIES NUMBER 205590.
 8. REFER TO IMPEL PCB ROUTING GUIDE AS-171320-990 FOR ANTIPAD, ROUTING RECOMMENDATIONS, AND ADDITIONAL PCB INFORMATION.
 9. WHEN STACKING MODULES END TO END, THE MINIMUM COLUMN TO COLUMN SPACING IS 2.65mm.
 10. THE KEEP-OUT ZONE FOR THE BP HOUSING LENGTH INCLUDES THE NECESSARY SPACE REQUIRED FOR THE MATING DAUGHTERCARD HOUSING.



THIS DRAWING CONTAINS INFORMATION THAT IS PROPRIETARY TO MOLEX ELECTRONIC TECHNOLOGIES, LLC AND SHOULD NOT BE USED WITHOUT WRITTEN PERMISSION									
DIMENSION UNITS MM		SCALE 4:1		CURRENT REV DESC: CORRECT TYPO ERROR				molex	
GENERAL TOLERANCES (UNLESS SPECIFIED)		EC NO: 609492 DRWN: JLTAN06 2018/12/21 CHK'D: YLLIM 2018/12/21 APPR: DWLEE01 2019/01/02				IMPEL 6 PAIR BACKPLANE UNGUIDED ASSEMBLY SALES DRAWING			
ANGULAR TOL ± 0.5°		INITIAL REVISION:				PRODUCT CUSTOMER DRAWING		DOCUMENT NUMBER	
4 PLACES ±		DRWN: JLAURX 2012/01/13				SD-171395-0001		DOC TYPE DOC PART REVISION	
3 PLACES ±		APPR: JLAURX 2012/11/27				PSD 001 B5		MATERIAL NUMBER CUSTOMER SHEET NUMBER	
2 PLACES ± 0.13		THIRD ANGLE PROJECTION				SEE CHART		GENERAL MARKET 1 OF 4	
1 PLACE ± 0.25		DRAWING		SERIES		C-SIZE 171395			
0 PLACES ±		DRAFT WHERE APPLICABLE MUST REMAIN WITHIN DIMENSIONS		THIRD ANGLE PROJECTION		C-SIZE 171395			

DOCUMENT STATUS	P1	RELEASE DATE	2019/01/02	18:03:43
-----------------	----	--------------	------------	----------

MATERIAL NUMBER	NUMBER OF COLUMNS	NUMBER OF DIFF PAIR	DIM "A"	DIM "B"	DIM "C"	DIM "P"	PTH ϕ
171395-1804	8	48	15.80	13.30	1.10	4.90	0.46±0.05
171395-1805	8	48	15.80	13.30	1.10	5.50	0.46±0.05
171395-1807	8	48	15.80	13.30	1.20	4.90	0.36±0.05
171395-1808	8	48	15.80	13.30	1.20	5.50	0.36±0.05
171395-1104	10	60	19.60	17.10	1.10	4.90	0.46±0.05
171395-1105	10	60	19.60	17.10	1.10	5.50	0.46±0.05
171395-1107	10	60	19.60	17.10	1.20	4.90	0.36±0.05
171395-1108	10	60	19.60	17.10	1.20	5.50	0.36±0.05
171395-1204	12	72	23.40	20.90	1.10	4.90	0.46±0.05
171395-1205	12	72	23.40	20.90	1.10	5.50	0.46±0.05
171395-1207	12	72	23.40	20.90	1.20	4.90	0.36±0.05
171395-1208	12	72	23.40	20.90	1.20	5.50	0.36±0.05
171395-1604	16	96	31.00	28.50	1.10	4.90	0.46±0.05
171395-1605	16	96	31.00	28.50	1.10	5.50	0.46±0.05
171395-1607	16	96	31.00	28.50	1.20	4.90	0.36±0.05
171395-1608	16	96	31.00	28.50	1.20	5.50	0.36±0.05



171395-1*0*

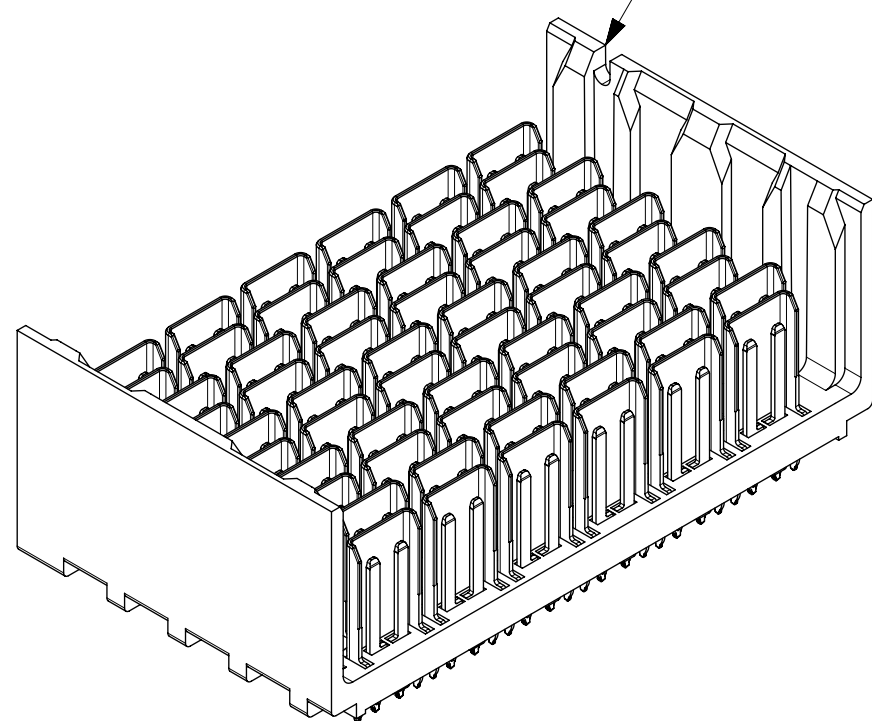
MODULE TYPE
1 = UNGUIDED

OF COLUMNS
8 = 8 COL
1 = 10 COL
2 = 12 COL
6 = 16 COL

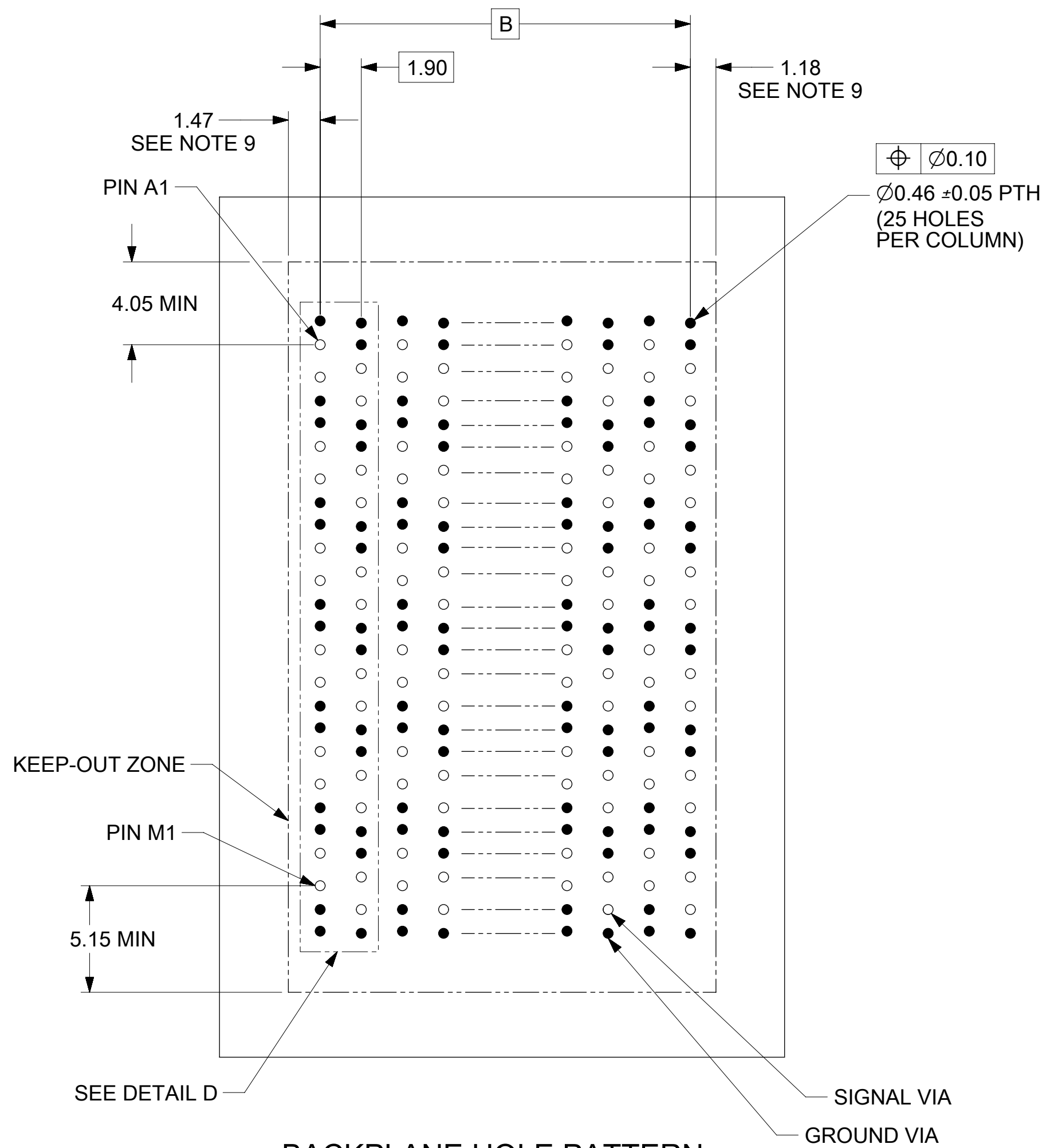
PIN LENGTH (P)
4 = 4.90 (0.46 PTH)
5 = 5.50 (0.46 PTH)
7 = 4.90 (0.36 PTH)
8 = 5.50 (0.36 PTH)

KEY ORIENTATION
0 = OPEN ENDS

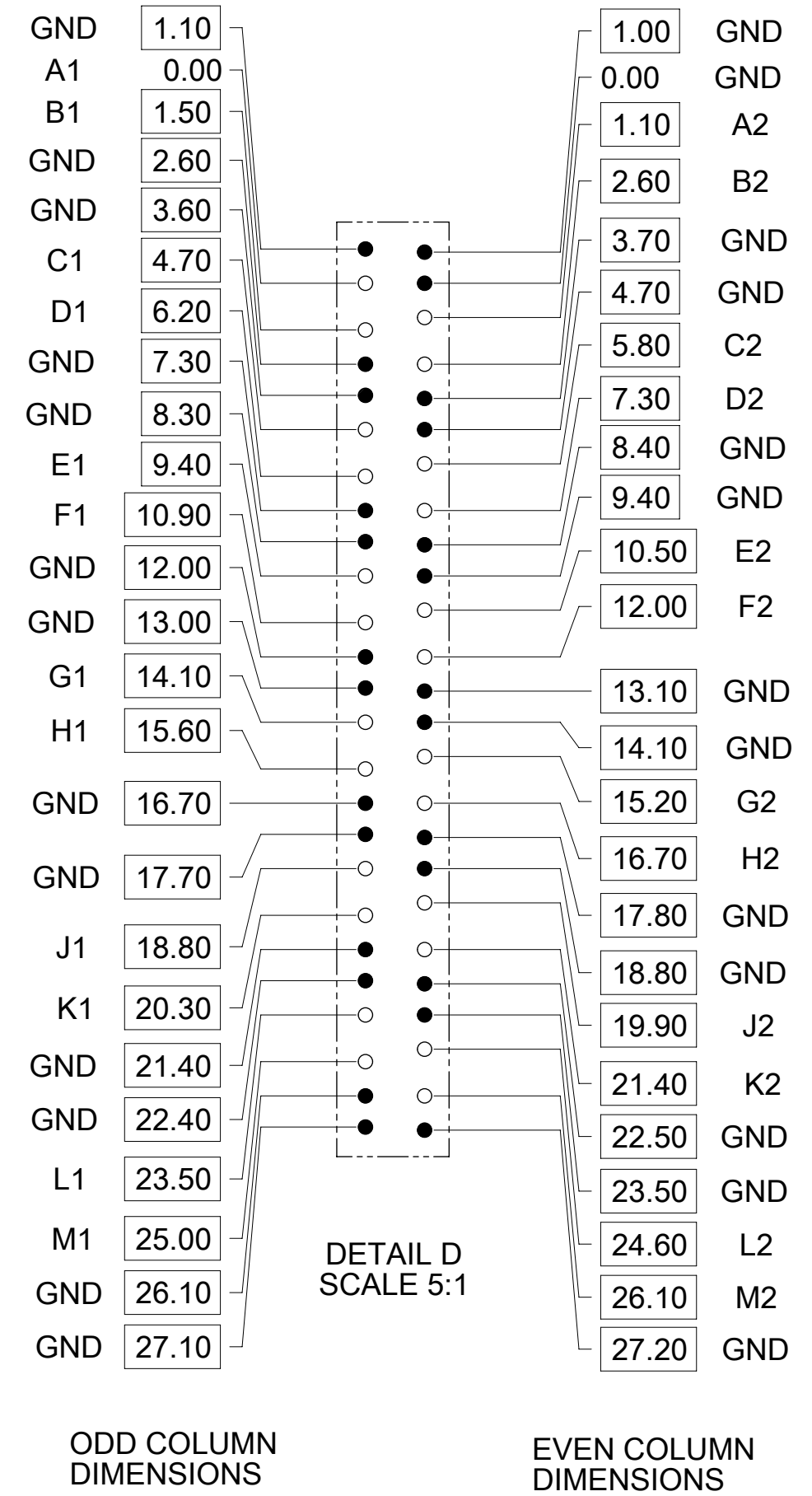
NOTCH DESIGNATES
ROW A



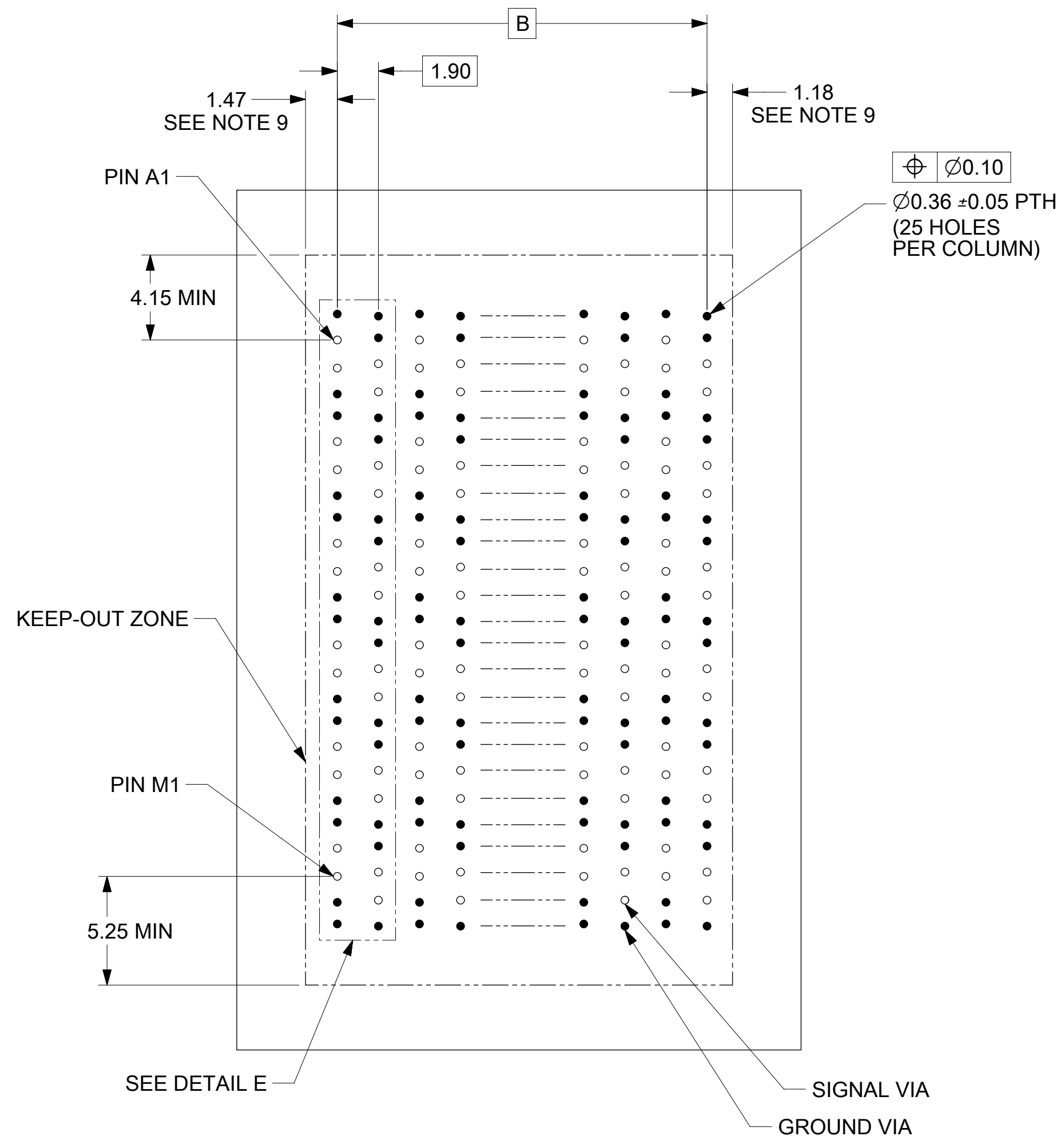
THIS DRAWING CONTAINS INFORMATION THAT IS PROPRIETARY TO MOLEX ELECTRONIC TECHNOLOGIES, LLC AND SHOULD NOT BE USED WITHOUT WRITTEN PERMISSION									
DIMENSION UNITS MM		SCALE 4:1		CURRENT REV DESC: CORRECT TYPO ERROR					
GENERAL TOLERANCES (UNLESS SPECIFIED)				<p>molex</p> <p>IMPEL 6 PAIR BACKPLANE UNGUIDED ASSEMBLY SALES DRAWING</p> <p>PRODUCT CUSTOMER DRAWING</p> <p>DOCUMENT NUMBER: SD-171395-0001 DOC TYPE: PSD DOC PART: 001 REVISION: B5</p> <p>MATERIAL NUMBER: SEE CHART CUSTOMER: GENERAL MARKET SHEET NUMBER: 2 OF 4</p>					
ANGULAR TOL ± 0.5°		4 PLACES ±							
3 PLACES ±		2 PLACES ± 0.13							
1 PLACE ± 0.25		0 PLACES ±							
DRAFT WHERE APPLICABLE MUST REMAIN WITHIN DIMENSIONS		THIRD ANGLE PROJECTION							
EC NO: 609492		DRWN: JLTAN06		2018/12/21		CHK'D: YLLIM		2018/12/21	
APPR: DWLEE01		2019/01/02		INITIAL REVISION:		DRWN: JLAURX		2012/01/13	
APPR: JLAURX		2012/11/27							



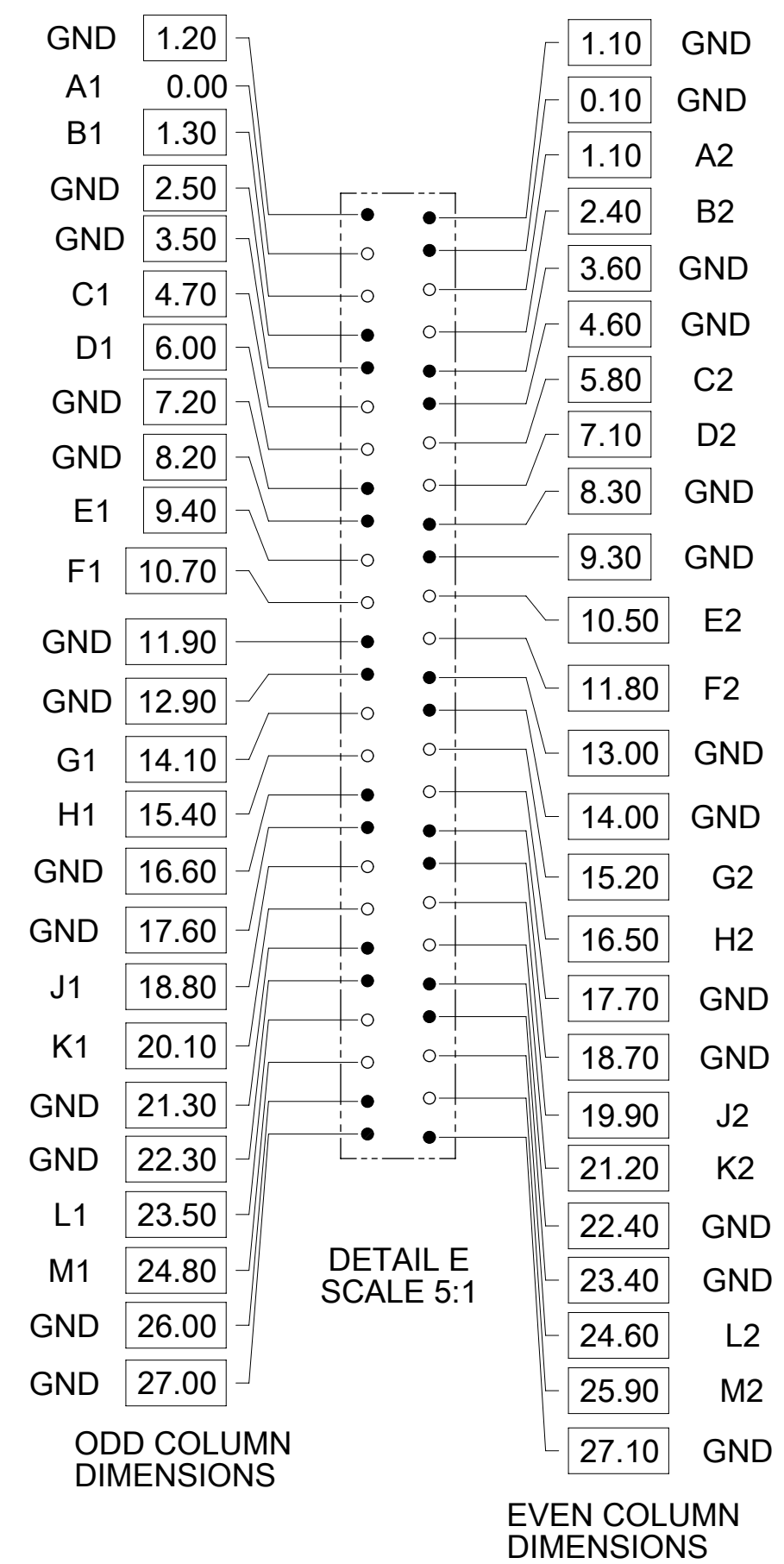
BACKPLANE HOLE PATTERN
FOR $\varnothing 0.46$ PTH
(CONNECTOR SIDE)



THIS DRAWING CONTAINS INFORMATION THAT IS PROPRIETARY TO MOLEX ELECTRONIC TECHNOLOGIES, LLC AND SHOULD NOT BE USED WITHOUT WRITTEN PERMISSION									
DIMENSION UNITS MM		SCALE 5:1		CURRENT REV DESC: CORRECT TYPO ERROR				molex	
GENERAL TOLERANCES (UNLESS SPECIFIED)		EC NO: 609492		DRWN: JLTAN06		2018/12/21			
ANGULAR TOL $\pm 0.5^\circ$		CHK'D: YLLIM		APPR: DWLEE01		2019/01/02		IMPEL 6 PAIR BACKPLANE UNGUIDED ASSEMBLY SALES DRAWING	
4 PLACES \pm		INITIAL REVISION:		DRWN: JLAURX		2012/01/13		PRODUCT CUSTOMER DRAWING	
3 PLACES \pm		APPR: JLAURX		APPR: JLAURX		2012/11/27		DOCUMENT NUMBER SD-171395-0001	
2 PLACES ± 0.13		THIRD ANGLE PROJECTION		DRAWING		SERIES		DOC TYPE PSD	
1 PLACE ± 0.25		DRAFT WHERE APPLICABLE MUST REMAIN WITHIN DIMENSIONS		C-SIZE		171395		DOC PART 001	
0 PLACES \pm		SHEET NUMBER 3 OF 4		CUSTOMER GENERAL MARKET		REVISION B5			



**BACKPLANE HOLE PATTERN
FOR Ø0.36 PTH
(CONNECTOR SIDE)**



THIS DRAWING CONTAINS INFORMATION THAT IS PROPRIETARY TO MOLEX ELECTRONIC TECHNOLOGIES, LLC AND SHOULD NOT BE USED WITHOUT WRITTEN PERMISSION									
DIMENSION UNITS MM		SCALE 5:1		CURRENT REV DESC: CORRECT TYPO ERROR				molex	
GENERAL TOLERANCES (UNLESS SPECIFIED)									
ANGULAR TOL ± 0.5°				EC NO: 609492				IMPEL 6 PAIR BACKPLANE UNGUIDED ASSEMBLY SALES DRAWING	
4 PLACES ±				DRWN: JLTAN06 2018/12/21					
3 PLACES ±				CHK'D: YLLIM 2018/12/21				PRODUCT CUSTOMER DRAWING	
2 PLACES ± 0.13				APPR: DWLEE01 2019/01/02					
1 PLACE ± 0.25				INITIAL REVISION:				DOCUMENT NUMBER SD-171395-0001	
0 PLACES ±				DRWN: JLAURX 2012/01/13					
DRAFT WHERE APPLICABLE MUST REMAIN WITHIN DIMENSIONS		THIRD ANGLE PROJECTION		DRAWING C-SIZE		SERIES 171395		MATERIAL NUMBER SEE CHART	
						CUSTOMER GENERAL MARKET		DOC TYPE PSD	
								DOC PART 001	
								REVISION B5	
								SHEET NUMBER 4 OF 4	