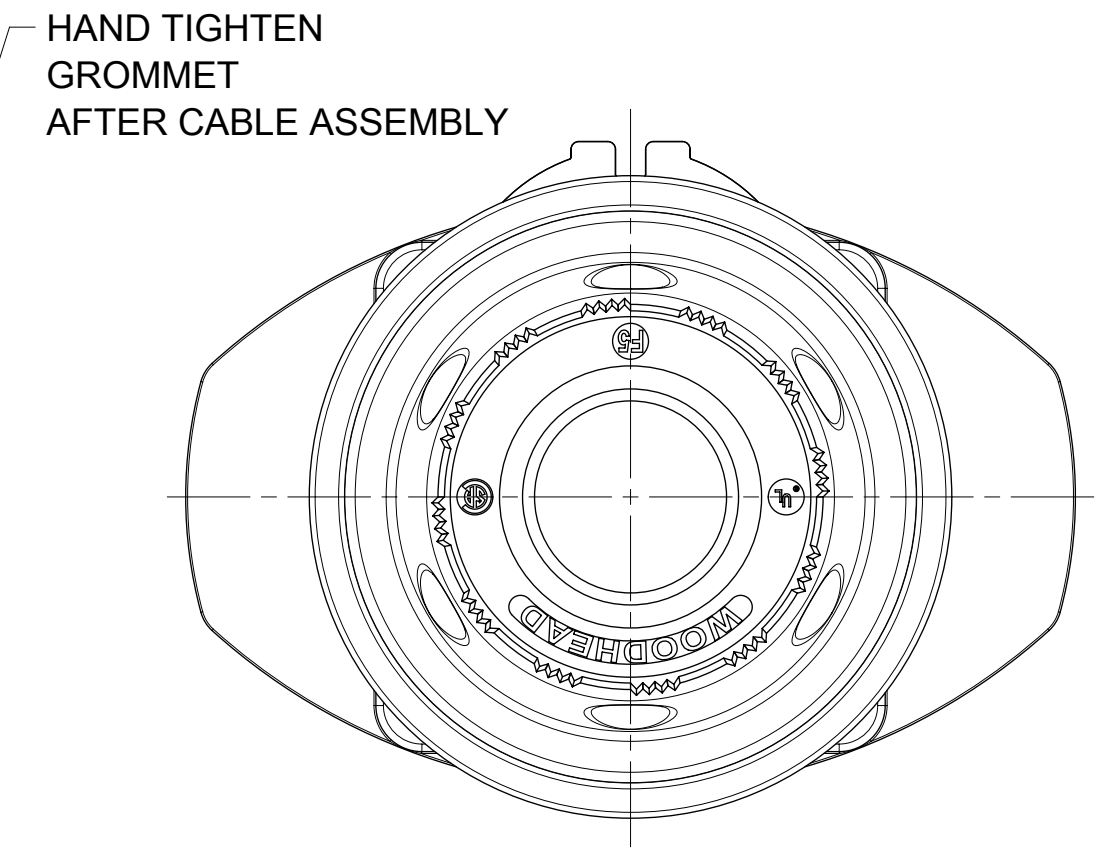
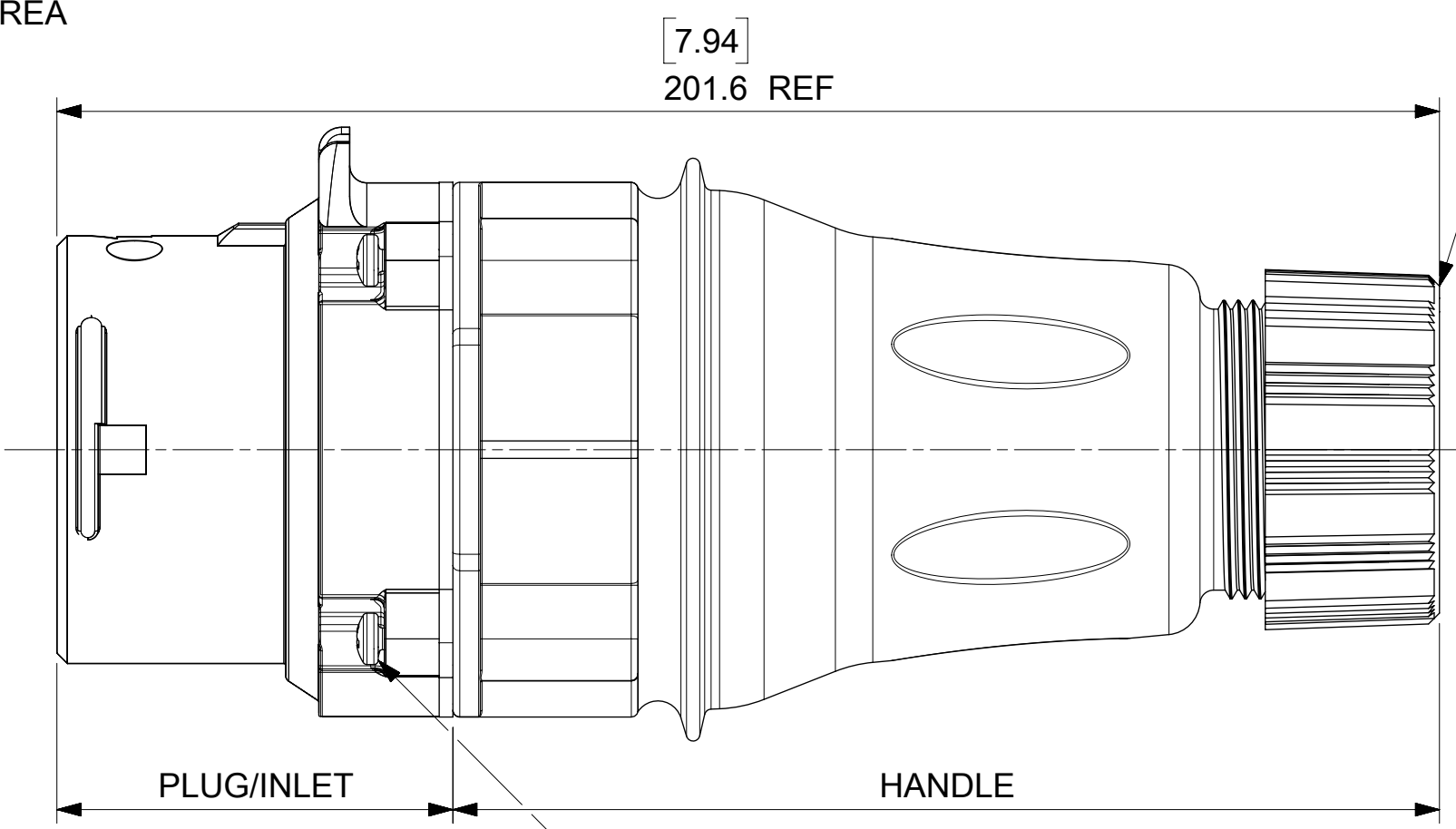
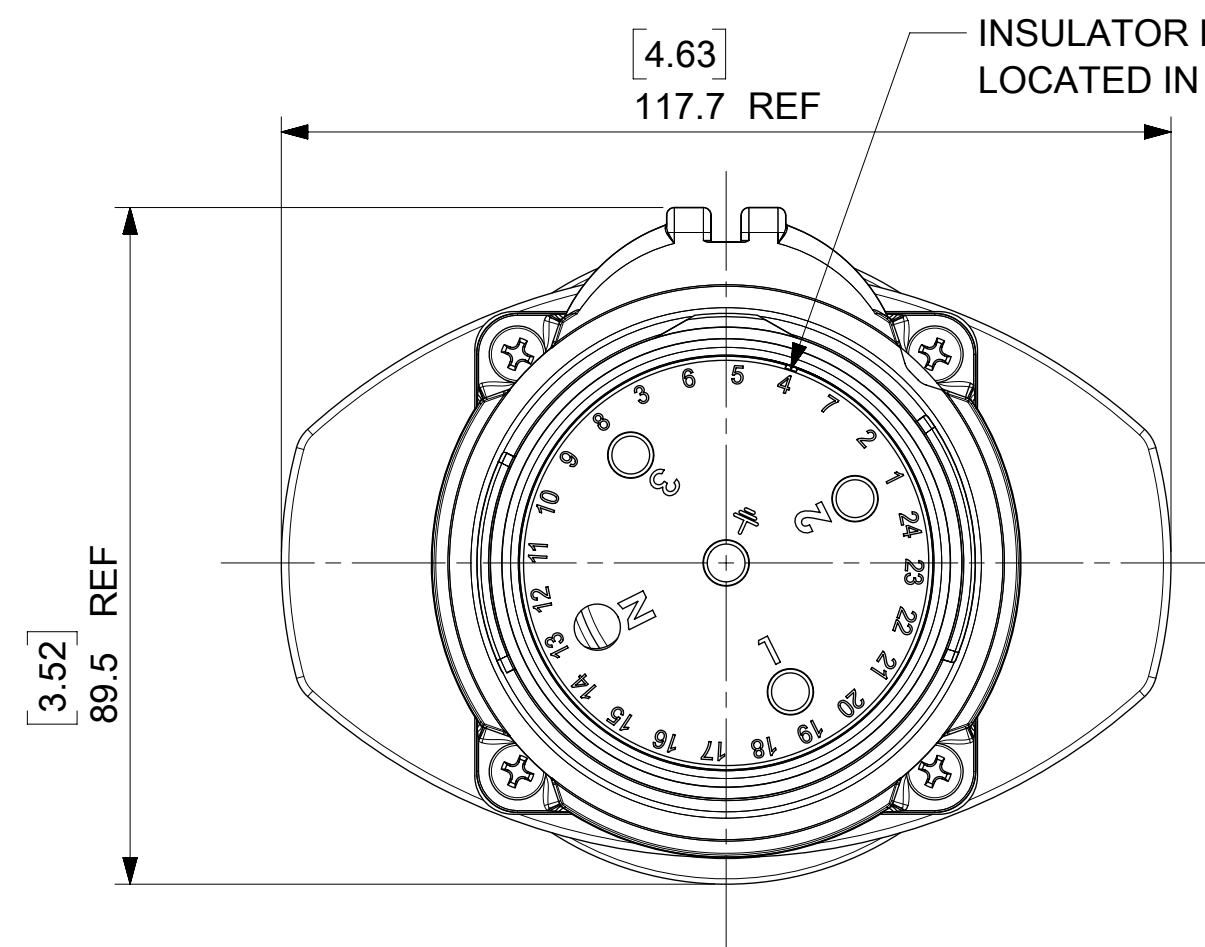
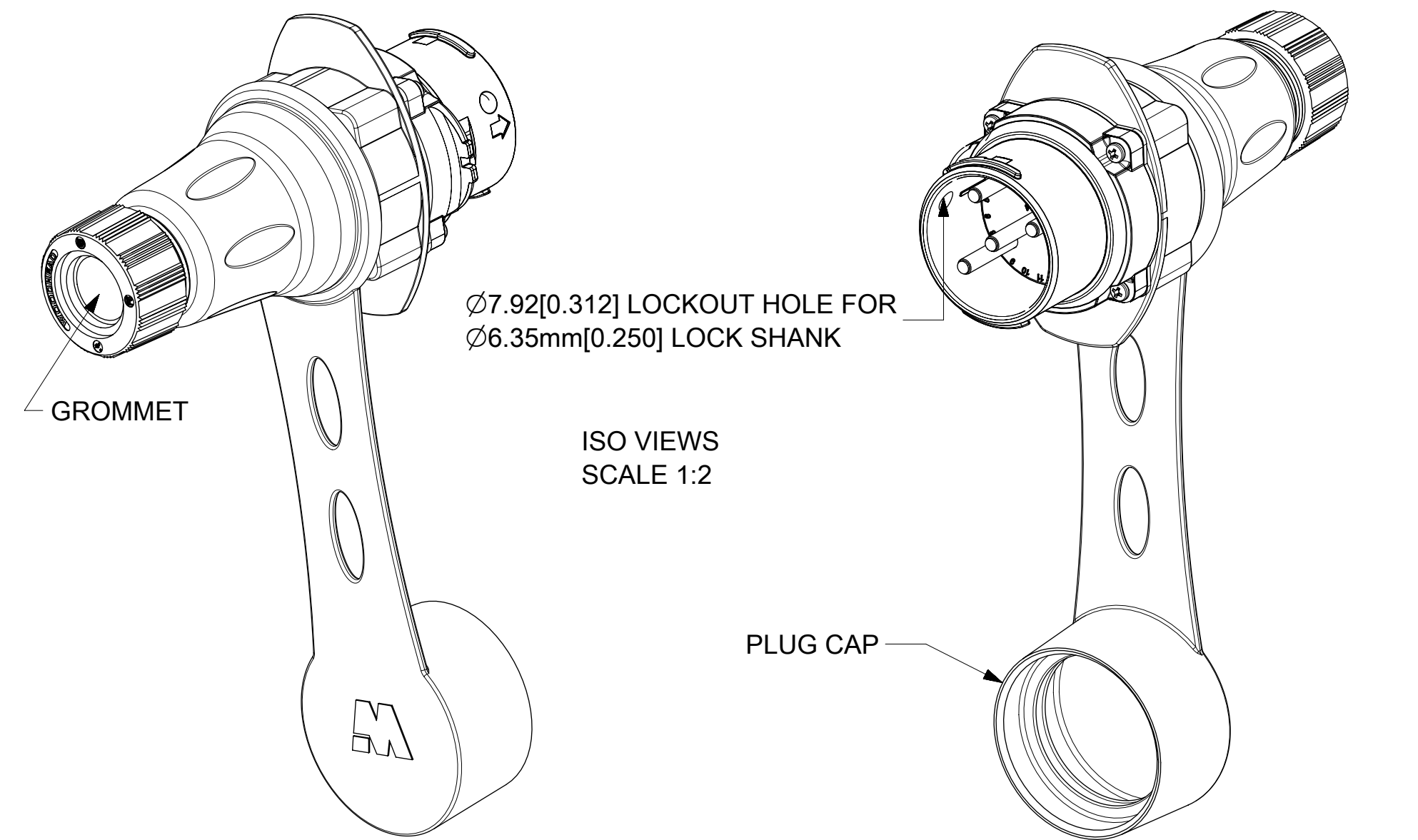


MATERIAL NUMBER	ENGINEERING NUMBER	DESCRIPTION	INSULATOR KEYING POSITION	HORSEPOWER RATING
1122171015	ARC60MHDA01	ARC 60A MHD 125VAC 1P+N+G	7	2 HP
1122171016	ARC60MHDB02	ARC 60A MHD 250VAC 2P+G		3 HP
1122171017	ARC60MHDB03	ARC 60A MHD 250VAC 3P+G		7.5 HP
1122171018	ARC60MHDAB04	ARC 60A MHD 125/250VAC 2P+N+G	16	NA
1122171019	ARC60MHDC02	ARC 60A MHD 208VAC 2P+G		NA
1122171020	ARC60MHDC03	ARC 60A MHD 208VAC 3P+G		7.5 HP
1122171021	ARC60MHDC05	ARC 60A MHD 120/208VAC 3P+N+G	4	NA
1122171022	ARC60MHDD01	ARC 60A MHD 277VAC 1P+N+G		NA
1122171023	ARC60MHDE02	ARC 60A MHD 480VAC 2P+G		NA
1122171024	ARC60MHDE03	ARC 60A MHD 480VAC 3P+G	14	20 HP
1122171025	ARC60MHDDE05	ARC 60A MHD 277/480VAC 3P+N+G		NA
1122171026	ARC60MHDF02	ARC 60A MHD 600VAC 2P+G		NA
1122171027	ARC60MHDF03	ARC 60A MHD 600VAC 3P+G	14	20 HP
1122171028	ARC60MHDGF05	ARC 60A MHD 347/600VAC 3P+N+G		NA



NOTES:
MATERIALS:
HANDLE, HOUSINGS AND INSULATORS: GLASS FILLED PBT
CONTACTS: COPPER ALLOY WITH A SILVER NICKEL TIP, SILVER PLATED
MOUNTING GASKETS: SILICONE
GROMMET - RUBBER
FRICTION RING - NATURAL POLYETHYLENE
COMPRESSION NUT - BLACK PBT
SELF TAPPING SCREWS - STAINLESS STEEL
PLUG CAP - RUBBER

RATINGS:
CURRENT: 60 AMPS
VOLTAGE AND HORSEPOWER: SEE TABLE
AMBIENT OPERATING TEMPERATURE: -25°C (-13°F) TO 60°C (140°F)
(WITH MAX. 30°C RISE ABOVE AMBIENT)
ENVIRONMENTAL: NEMA TYPE 4X & IP69K
WIRING CAPACITY: 10 AWG MIN. TO 4 AWG MAX.
TORQUE TERMINAL SCREWS TO 1.7 Nm (15 in-lbs)
AGENCY: UL LISTING PENDING
SWITCH RATED RECEPTACLE/CONNECTOR
BRANCH CIRCUIT DISCONNECT SWITCH
MOTOR CIRCUIT DISCONNECT SWITCH IF HP RATED

PLUG/INLET AND HANDLE ARE PACKAGED SEPARATELY.
END USER ASSEMBLY REQUIRED PER INSTRUCTIONS INCLUDED.

GROMMET P/N	GROMMET COLOR	CABLE DIAMETER RANGE
1301800308	ORANGE	19.05mm-22.25mm(.750"-.875")
1301800309	YELLOW	22.23mm-25.40mm(.875"-1.000")
1301800310	BLACK	25.40mm-28.57mm(1.000"-1.125")

THIS DRAWING CONTAINS INFORMATION THAT IS PROPRIETARY TO MOLEX ELECTRONIC TECHNOLOGIES, LLC AND SHOULD NOT BE USED WITHOUT WRITTEN PERMISSION

DIMENSION UNITS MM/INCH	SCALE 1:1	CURRENT REV DESC: GENERAL MARKET RELEASE	
GENERAL TOLERANCES (UNLESS SPECIFIED)		EC NO: 674097	
	MM	INCH	DRWN: MJANTELEZIO 2021/08/17
4 PLACES	±	±	CHK'D: WLEUNG 2021/08/17
3 PLACES	±	± 0.01	APPR: WLEUNG 2021/08/17
2 PLACES	± 0.25	± 0.02	INITIAL REVISION:
1 PLACE	± 0.5	± 0.04	DRWN: VBSATHKARP 2018/08/20
0 PLACES	± 1.0	±	APPR: JFMURPHY 2020/11/17
ANGULAR TOL	± 3.0 °		
DRAFT WHERE APPLICABLE MUST REMAIN WITHIN DIMENSIONS	THIRD ANGLE PROJECTION	DRAWING	SERIES
		C-SIZE	112217

DOCUMENT NUMBER		DOC TYPE	DOC PART	REVISION
1122171024		PSD	000	A2
MATERIAL NUMBER	CUSTOMER	SHEET NUMBER		
SEE TABLE	GENERAL MARKET	1 OF 1		

60A ARC ARREST PLUG KIT HANDLE W/DRAWPLA

PRODUCT CUSTOMER DRAWING