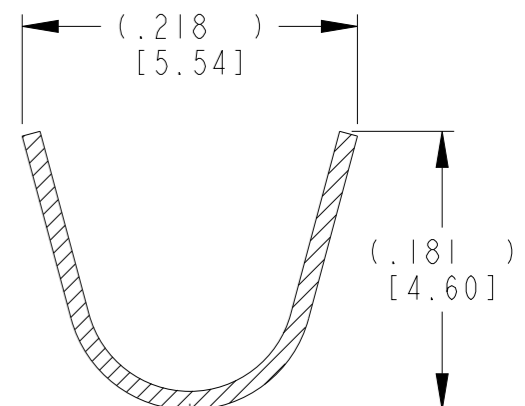
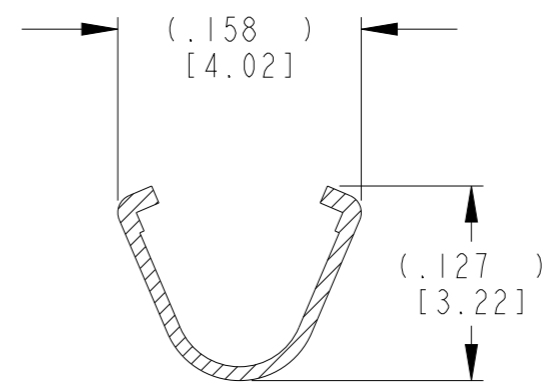
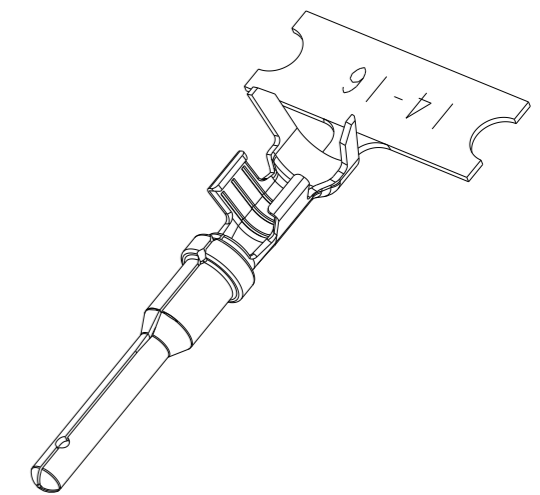
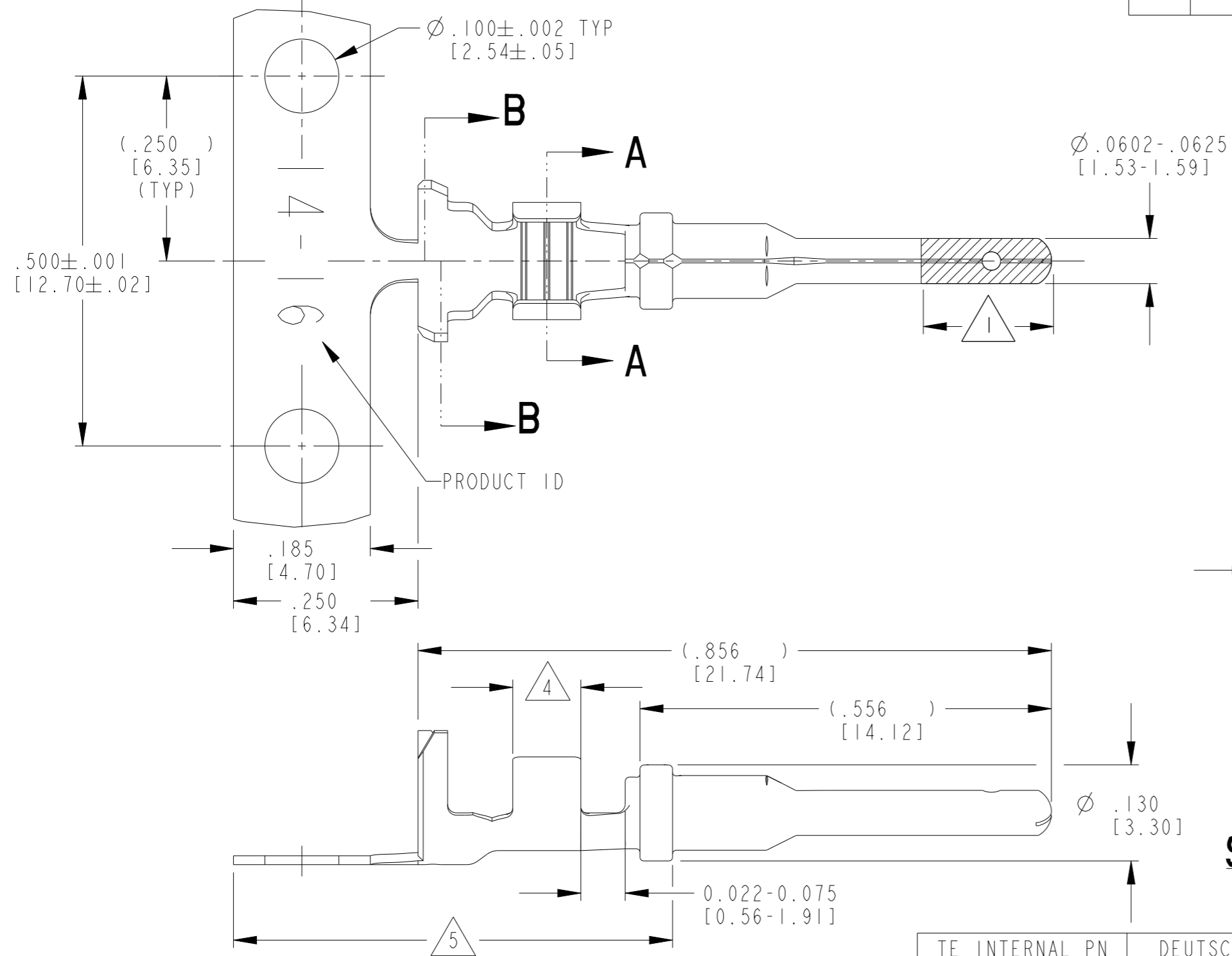


THIS DRAWING IS UNPUBLISHED. RELEASED FOR PUBLICATION 2020
© COPYRIGHT 2020 BY TE CONNECTIVITY ALL RIGHTS RESERVED.

LOC		DIST		REVISIONS			
P	LTR	DESCRIPTION	DATE	DWN	APVD		
	F	REVISED PER ECO-15-007761	28MAY2015	RL	DM		
	G	REVISED PER PCN E-20-008101	12JUN2020	DM	DM		
	H	REVISED PER PCN-21-121539	08FEB2022	DM	GCR		



SECTION A-A
WIRE BARREL

SECTION B-B
INSULATION BARREL

TE INTERNAL PN	DEUTSCH PN	PLATING
1060-14-0122	1060-14-0122	Ni/Cu overall, Sn/Ni/Cu Wire Barrel
1060-14-0144	1060-14-0144	Selective Au, Ni/Cu overall, Sn/Ni/Cu Wire Barrel
1060-14-0177	1060-14-0177	Sn/Ni/Cu overall

- △5 TIN PLATING MAY BE IN THIS REGION.
- △4 TIN PLATED REGION.
- △3 MATERIAL: .012 [0.30] THICK COPPER ALLOY
- 2. WIRE RANGE: 18 AWG TO 14 AWG [0.75-2.0 mm²]
INSULATION RANGE: Ø .095-.150 [Ø2.41-3.81]
- △1 GOLD PLATED REGION.

NOTES: UNLESS OTHERWISE SPECIFIED

THIS DRAWING IS A CONTROLLED DOCUMENT.		DWN 04NOV1999 MICHAEL BLOOM	STE TE Connectivity	
		CHK 04DEC2000 VLADIMIR TOMSA		
DIMENSIONS: INCHES [mm]		APVD 08DEC2000 ROBIN REED	NAME STAMPED CONTACT PIN SIZE 16	
TOLERANCES UNLESS OTHERWISE SPECIFIED: 0 PLC ± 1 PLC ± 2 PLC ± 3 PLC ±.025 [0.64] 4 PLC ± ANGLES ±		PRODUCT SPEC 108-151000	SIZE A3	
MATERIAL △3		APPLICATION SPEC 114-151000	CAGE CODE 4AFU8	DRAWING NO 1060-14-01XX
FINISH SEE TABLE		WEIGHT 0.34 g	RESTRICTED TO -	SCALE 6:1
		Customer Drawing	SHEET 1 OF 1	REV H