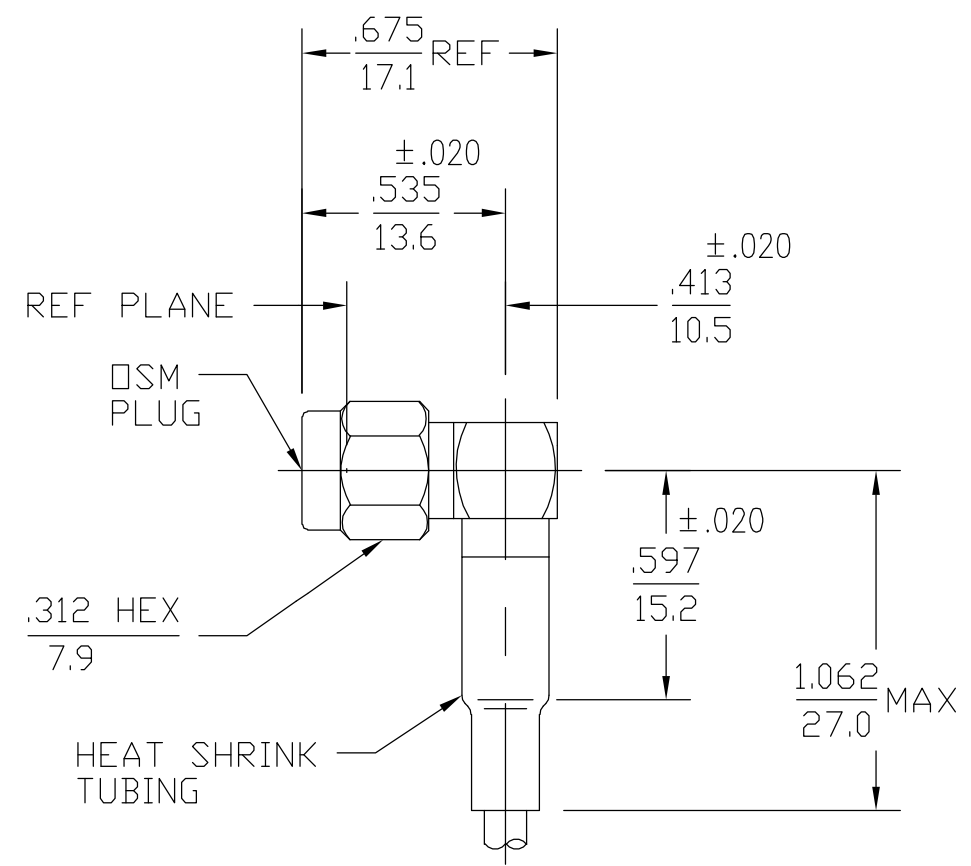


THIS DRAWING IS UNPUBLISHED. RELEASED FOR PUBLICATION
 © COPYRIGHT BY TYCO ELECTRONICS CORPORATION. ALL RIGHTS RESERVED.

LOC	DIST	REVISIONS			
P	LTR	DESCRIPTION	DATE	DWN	APVD
DF	X5	B	REV PER 0H14-0250-05	06MAR06	PY FB



- 1. FOR USE WITH CABLE RD-316/U
- △2 TIN-LEAD PLATED PER MIL-C-14550
- △3 MATTE TIN PLATE PER ASTM-B-545

△3	5-1406143-1	5-1046251-1
△2	1406143-1	1046251-1
FERRULE		PART NUMBER

THIS DRAWING IS A CONTROLLED DOCUMENT.		DWN P. YEAGER	03MAR2006	Tyco Electronics Corporation Harrisburg, Pa 17105-3608	
DIMENSIONS: INCHES		CHK F. BLASICK	06MAR06		
		APVD F. BLASICK	06MAR06	NAME OSM RIGHT ANGLE CABLE PLUG CRIMP ATTACHMENT	
TOLERANCES UNLESS OTHERWISE SPECIFIED:		PRODUCT SPEC		RESTRICTED TO	
0 PLC ± -		APPLICATION SPEC		SIZE	CAGE CODE
1 PLC ± -		WEIGHT		A3	00779
2 PLC ± -		CUSTOMER DRAWING		DRAWING NO C-1046251	
3 PLC ± -		SCALE		SHEET	
4 PLC ± -		2:1		1 OF 1	
ANGLES ± -		REV		B	
FINISH		REV		B	