

MATERIALS AND FINISHES:

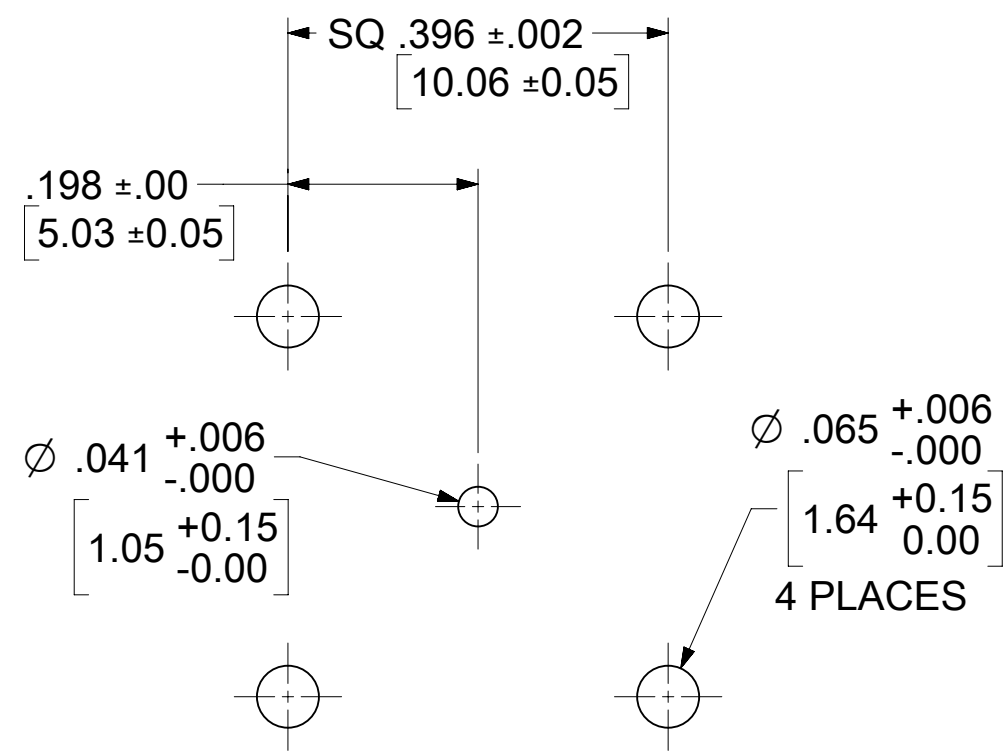
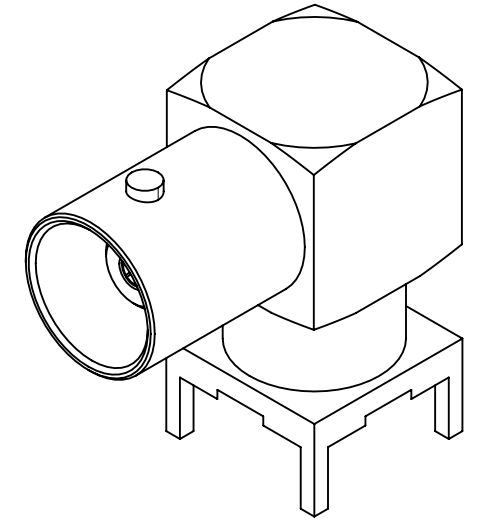
BODY, RETAINING RING: BRASS  
PLATED NICKEL

CONTACT MATING END: PHOSPHOR BRONZE  
PLATED GOLD

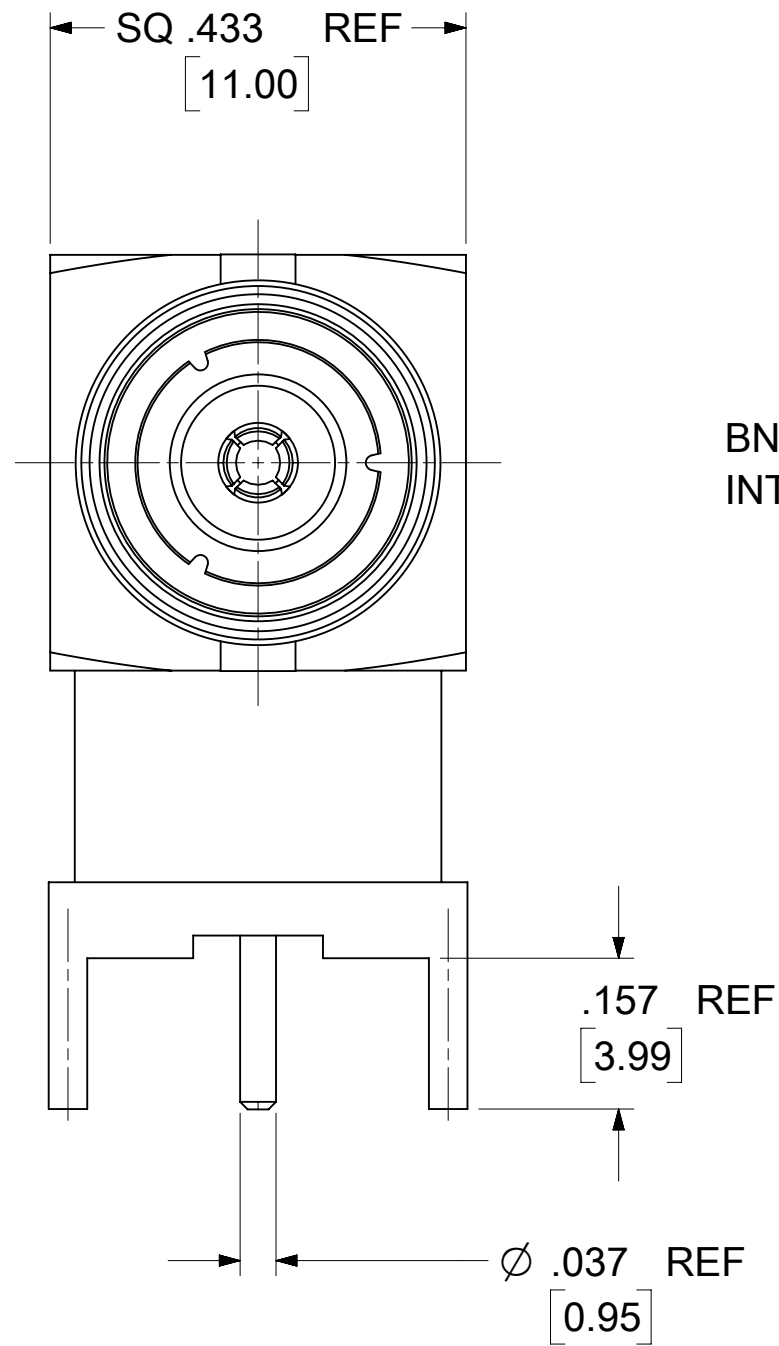
CONTACT PCB END: BRASS  
PLATED GOLD

INSULATOR: TEFLON

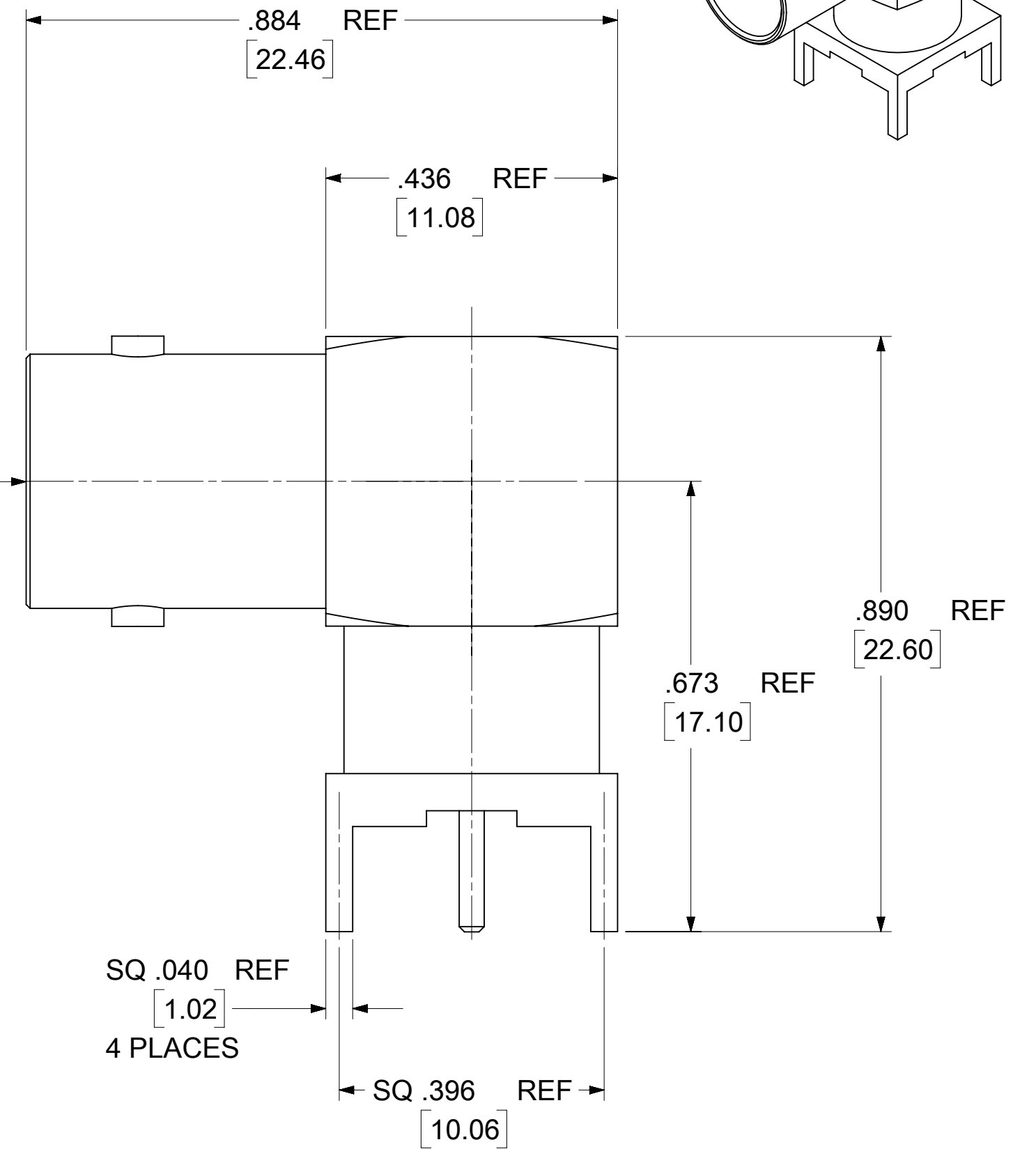
HOUSING: BRASS  
PLATED TIN/LEAD



RECOMMENDED PCB LAYOUT



BNC JACK  
INTERFACE



LABEL WITH EACH BAG  
FOR 73131-0241

MOLEX P/N: 73131-0241  
DATE: YYWW

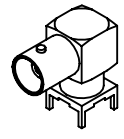
73131-0241	73131-0240 ONE PER BAG
73131-0240	TRAY
PART NO.	PACKAGING

PS-73598-0050	ELEC/MECH PERFORMANCE
MIL-STD-348A, FIG. 301-2	INTERFACE
SPECIFICATION	DESCRIPTION

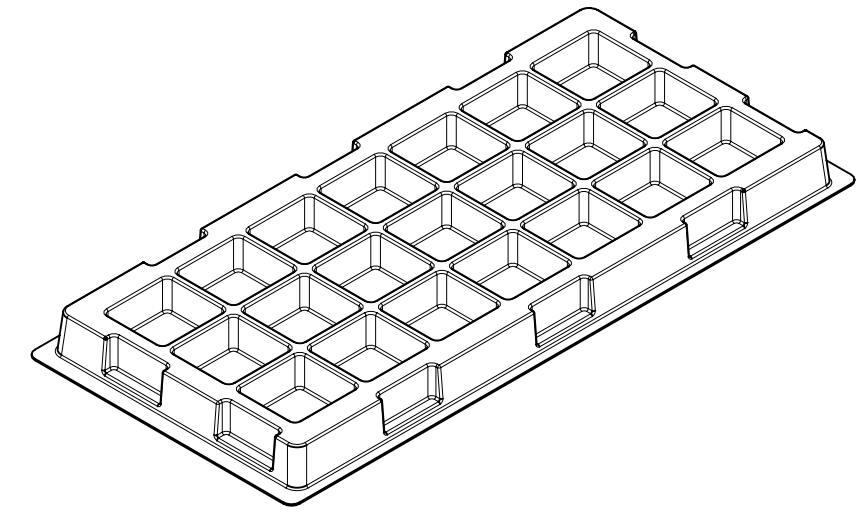
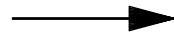
DOCUMENT STATUS	P1	RELEASE DATE	2021/04/21	06:23:46
-----------------	----	--------------	------------	----------

THIS DRAWING CONTAINS INFORMATION THAT IS PROPRIETARY TO MOLEX ELECTRONIC TECHNOLOGIES, LLC AND SHOULD NOT BE USED WITHOUT WRITTEN PERMISSION

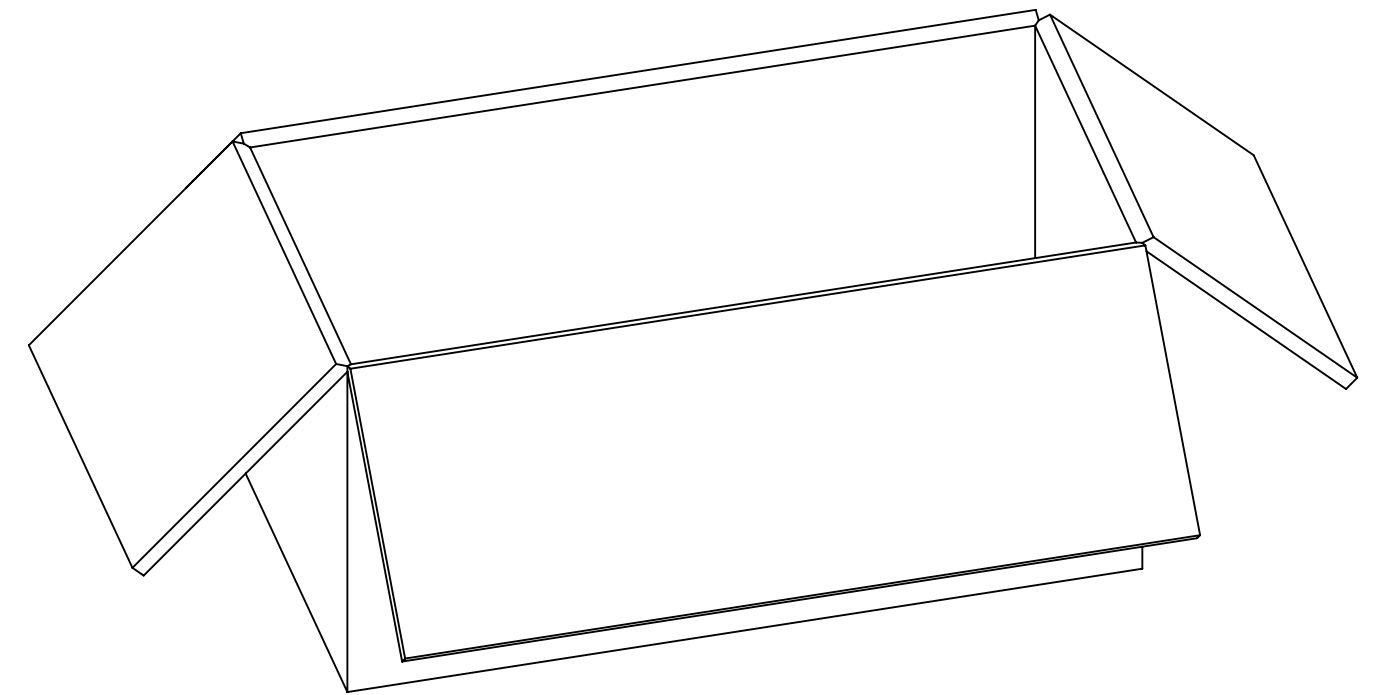
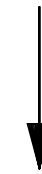
DIMENSION UNITS	SCALE	CURRENT REV DESC: ADD LABEL FOR 73131-0241 PER EWR #14242-H		<b>molex</b>		
INCH/MM	NTS					
GENERAL TOLERANCES (UNLESS SPECIFIED)				BNC JACK R/A PCB TH 50 OHMS, BNC-J/RA/PCB		
ANGULAR TOL	± 2.0°	EC NO: 660983		PRODUCT CUSTOMER DRAWING		
4 PLACES	±	DRWN: RYEH	2021/03/25	DOCUMENT NUMBER		
3 PLACES	±	CHK'D: YCHENG	2021/04/21	SD-73131-024		
2 PLACES	±	APPR: YCHENG	2021/04/21	DOC TYPE	DOC PART	REVISION
1 PLACE	±	INITIAL REVISION:		PSD	001	A4
0 PLACES	±	DRWN: RFC_PLMIMP	2017/12/12	SHEET NUMBER		
DRAFT WHERE APPLICABLE MUST REMAIN WITHIN DIMENSIONS		THIRD ANGLE PROJECTION	DRAWING	SERIES	MATERIAL NUMBER	CUSTOMER
			C-SIZE	73131	SEE TABLE	GENERAL MARKET
						1 OF 3



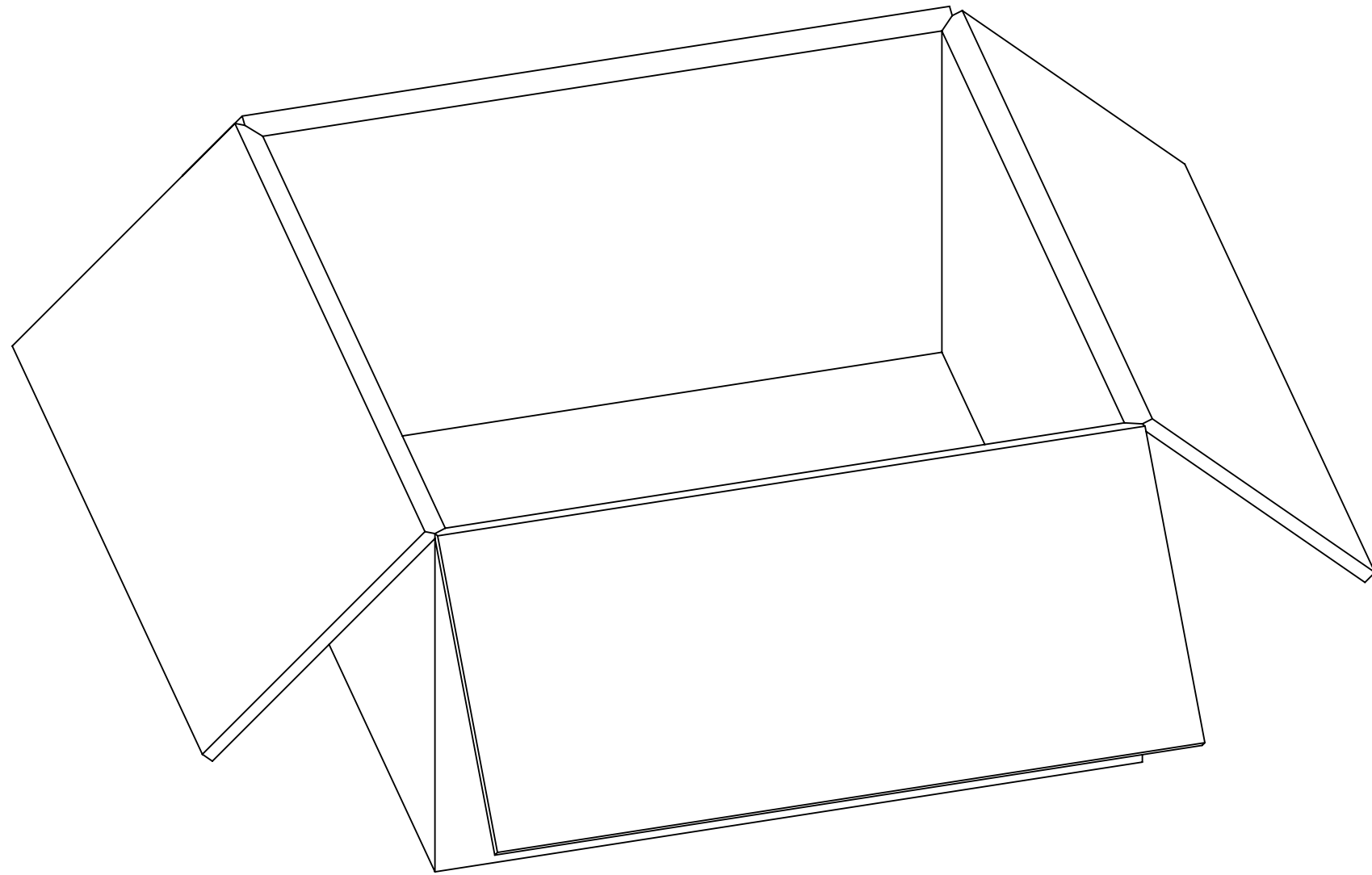
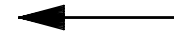
P/N: 73131-0240



21 SETS PER TRAY  
P/N: 89707-0204



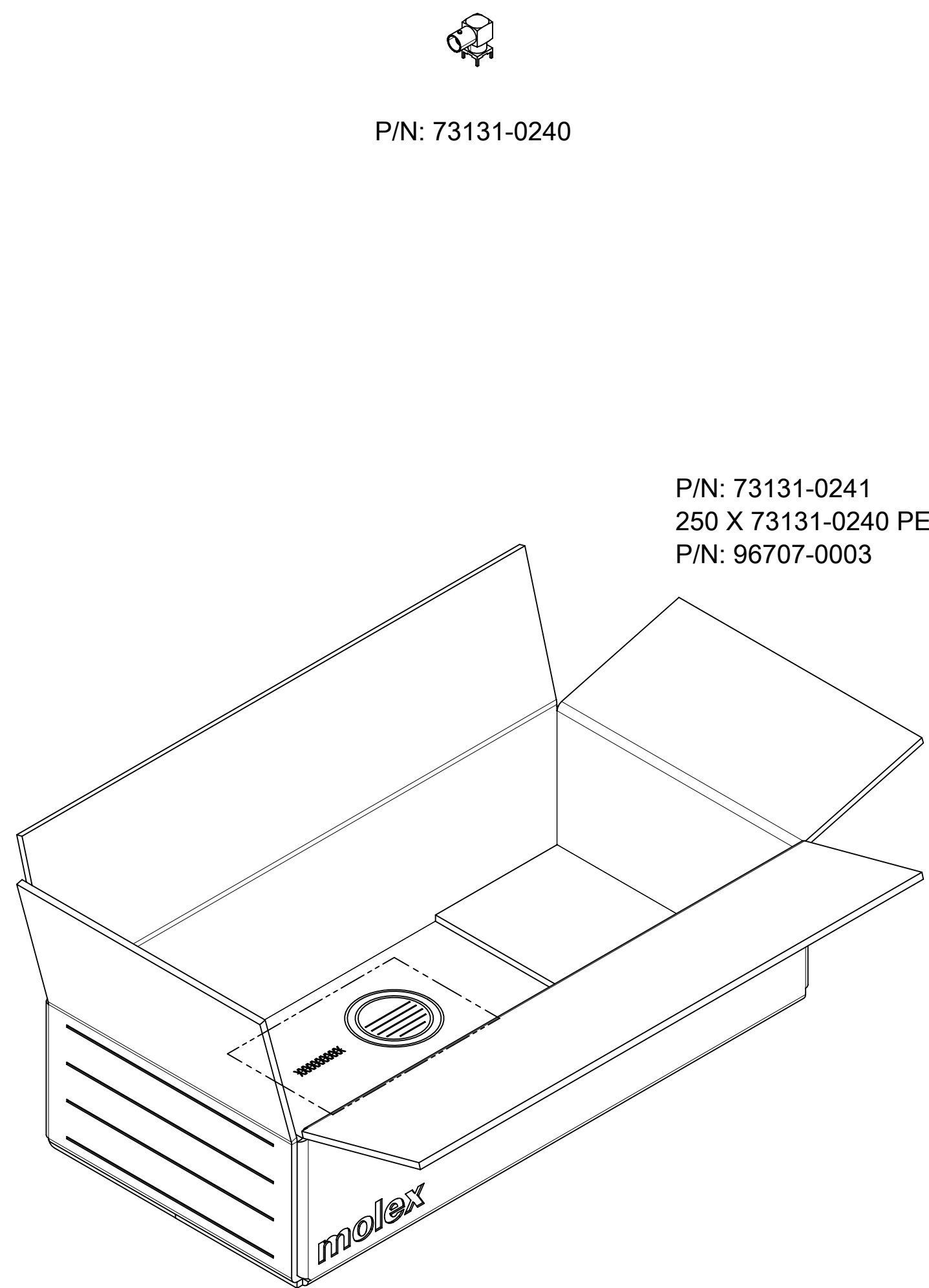
168 SETS PER INNER CARTON BOX  
P/N: 96707-0001



336 SETS PER OUTER CARTON BOX  
P/N: 96708-0005

THIS DRAWING CONTAINS INFORMATION THAT IS PROPRIETARY TO MOLEX ELECTRONIC TECHNOLOGIES, LLC AND SHOULD NOT BE USED WITHOUT WRITTEN PERMISSION													
DIMENSION UNITS		SCALE		CURRENT REV DESC: ADD LABEL FOR 73131-0241 PER EWR #14242-H				<b>molex</b>					
INCH/MM		NTS											
GENERAL TOLERANCES (UNLESS SPECIFIED)								BNC JACK R/A PCB TH 50 OHMS, BNC-J/RA/PCB					
ANGULAR TOL ± 2.0°													
4 PLACES		±		EC NO: 660983		2021/03/25		PRODUCT CUSTOMER DRAWING					
3 PLACES		±		DRWN: RYEH		2021/04/21							
2 PLACES		±		CHK'D: YCHENG		2021/04/21							
1 PLACE		±		APPR: YCHENG		2021/04/21		DOCUMENT NUMBER <b>SD-73131-024</b>					
0 PLACES		±		INITIAL REVISION:		2017/12/12				DOC TYPE	DOC PART	REVISION	
				DRWN: RFC_PLMIMP		2009/06/04				PSD	001	A4	
DRAFT WHERE APPLICABLE MUST REMAIN WITHIN DIMENSIONS		THIRD ANGLE PROJECTION		DRAWING		SERIES		MATERIAL NUMBER		CUSTOMER		SHEET NUMBER	
				C-SIZE		73131		SEE TABLE		GENERAL MARKET		2 OF 3	

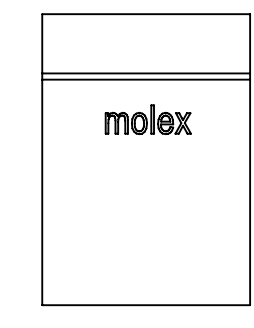
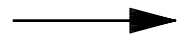
DOCUMENT STATUS	P1	RELEASE DATE	2021/04/21	06:23:46
-----------------	----	--------------	------------	----------



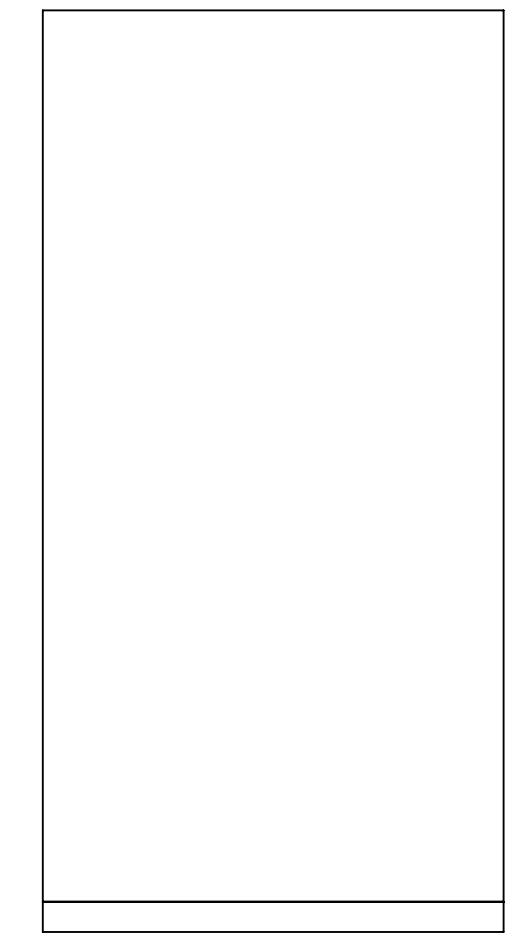
P/N: 73131-0240

P/N: 73131-0241  
 250 X 73131-0240 PER CARTON BOX  
 P/N: 96707-0003

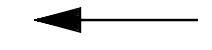
250 SETS PER CARTON BOX  
 P/N: 96707-0003



1 SET PER BAG  
 P/N: 89707-0317



50 SETS PER BAG  
 P/N: 89707-0174



THIS DRAWING CONTAINS INFORMATION THAT IS PROPRIETARY TO MOLEX ELECTRONIC TECHNOLOGIES, LLC AND SHOULD NOT BE USED WITHOUT WRITTEN PERMISSION									
DIMENSION UNITS		SCALE		CURRENT REV DESC: ADD LABEL FOR 73131-0241 PER EWR #14242-H				<b>molex</b>	
INCH/MM		NTS							
GENERAL TOLERANCES (UNLESS SPECIFIED)				EC NO: 660983 DRWN: RYEH 2021/03/25 CHK'D: YCHENG 2021/04/21 APPR: YCHENG 2021/04/21				BNC JACK R/A PCB TH 50 OHMS, BNC-J/RA/PCB	
ANGULAR TOL ± 2.0°									
4 PLACES ±				INITIAL REVISION: DRWN: RFC_PLMIMP 2017/12/12 APPR: JWIENER 2009/06/04				PRODUCT CUSTOMER DRAWING	
3 PLACES ±								DOCUMENT NUMBER	
2 PLACES ±				SD-73131-024		PSD	001	A4	
1 PLACE ±				MATERIAL NUMBER		CUSTOMER		SHEET NUMBER	
0 PLACES ±				SEE TABLE		GENERAL MARKET		3 OF 3	
DRAFT WHERE APPLICABLE MUST REMAIN WITHIN DIMENSIONS				THIRD ANGLE PROJECTION		DRAWING		SERIES	
						C-SIZE		73131	

DOCUMENT STATUS	P1	RELEASE DATE	2021/04/21	06:23:46
-----------------	----	--------------	------------	----------