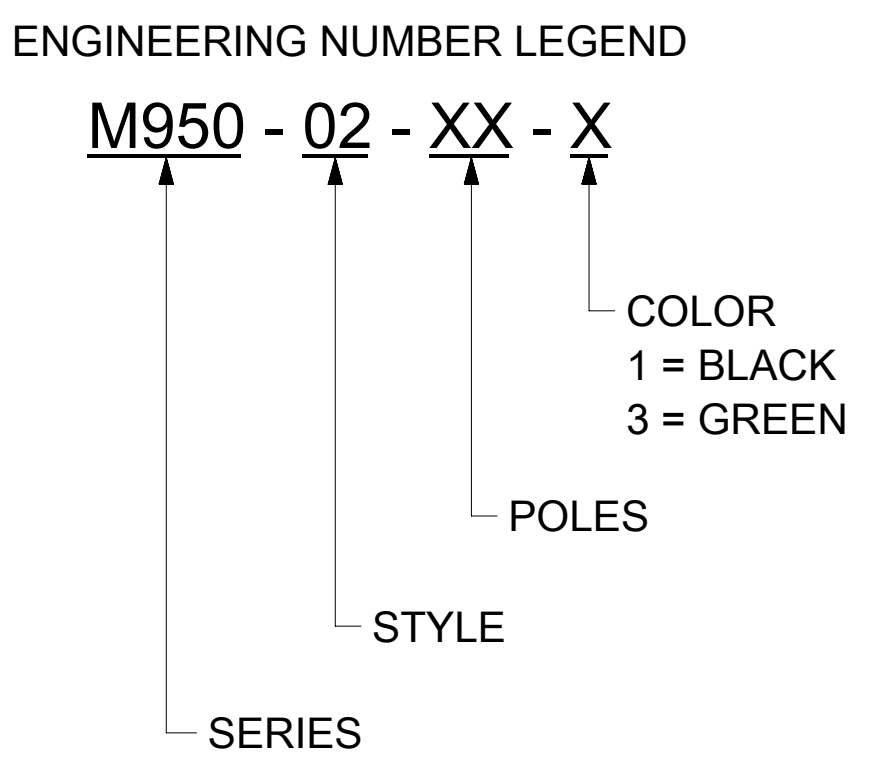
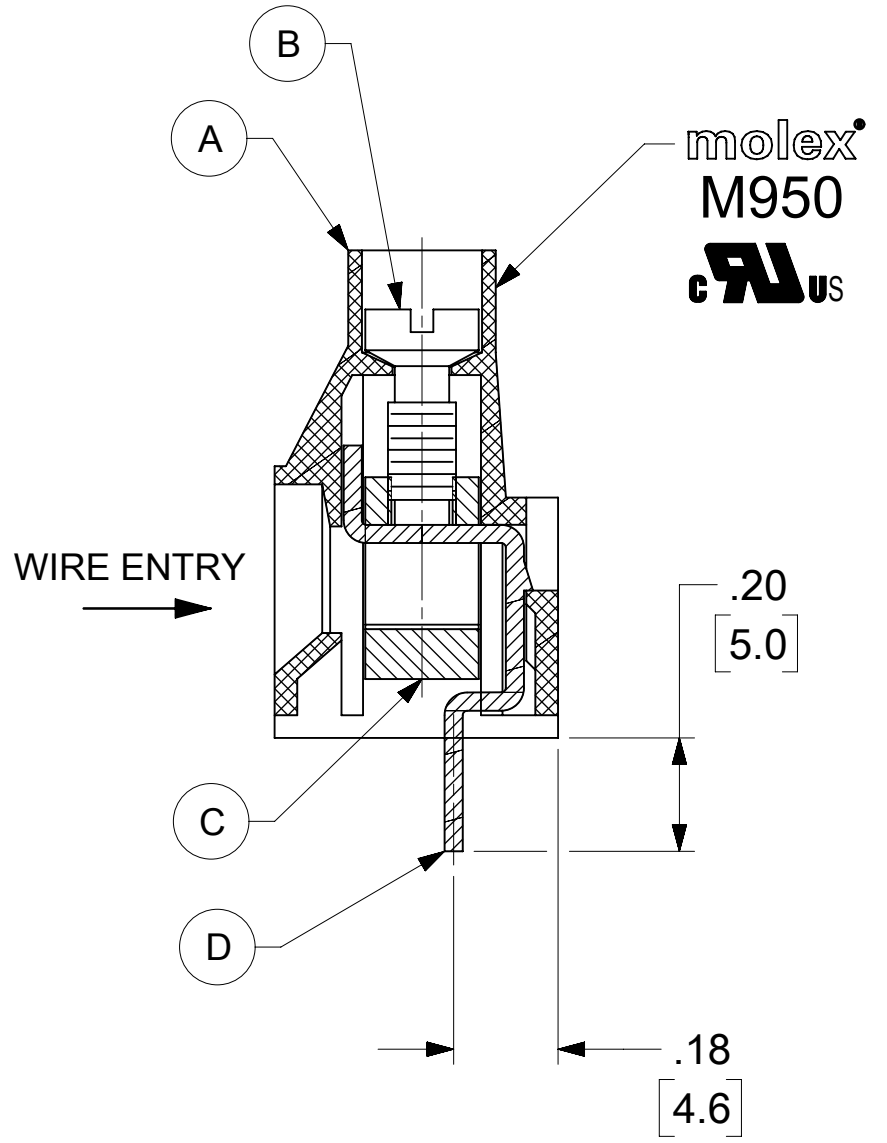
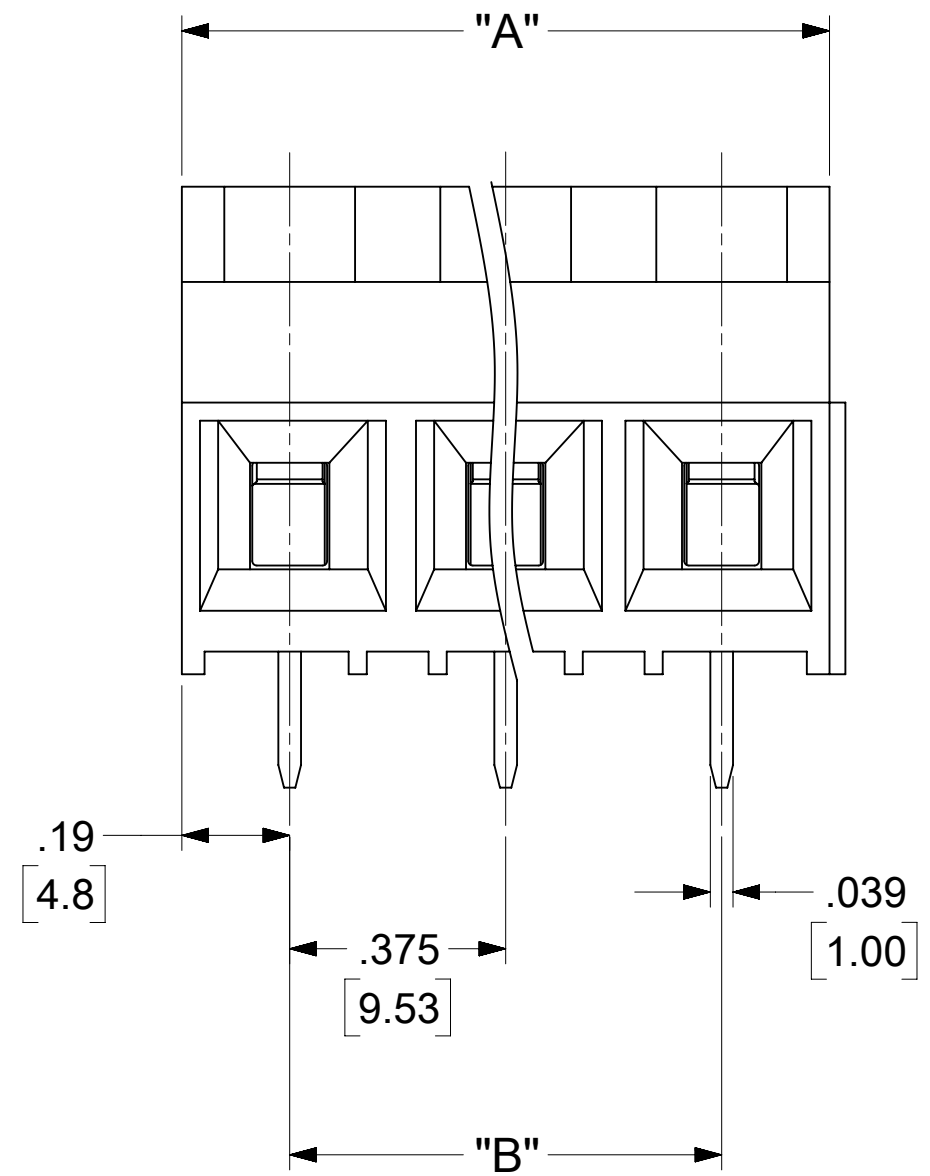
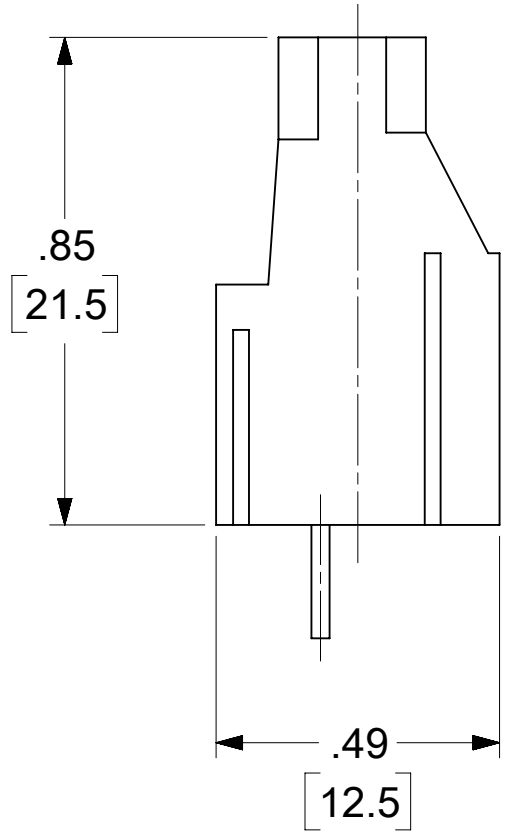


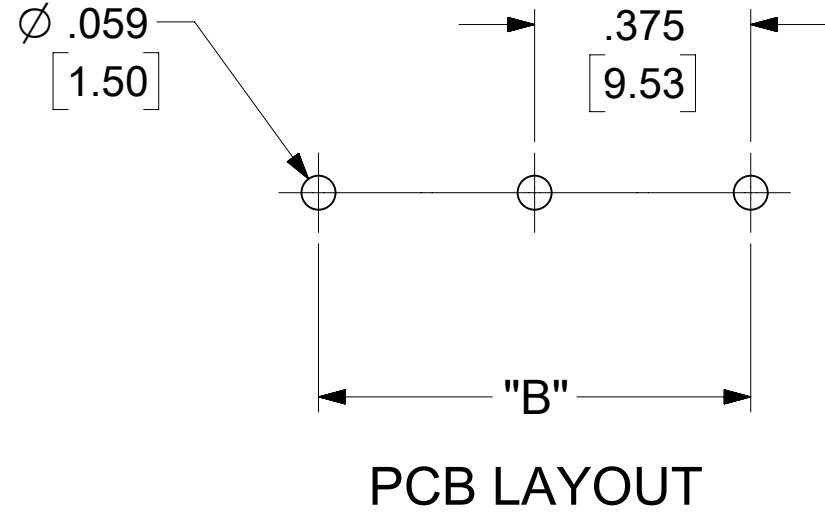
CIRCUIT SIZE	PART NUMBER DATA				DIMENSIONAL INFORMATION			
	BLACK COLOR		GREEN COLOR		DIM. "A"		DIM. "B"	
	PART NUMBER	ENGINEERING NUMBER	PART NUMBER	ENGINEERING NUMBER	IN	mm	IN	mm
2	397465002	M950-02-02-1	397460002	M950-02-02-3	.75	19.1	.375	9.53
3	397465003	M950-02-03-1	397460003	M950-02-03-3	1.13	28.6	.750	19.05
4	397465004	M950-02-04-1	397460004	M950-02-04-3	1.50	38.1	1.125	28.58

REF. LAST 2 DIGITS OF PART NUMBER EQUAL CIRCUIT COUNT



SPECIFICATIONS

- MATERIAL:
 - A. BODY: PA66, UL94 V-0
 - B. SCREW: M3, STEEL ZINC PLATED
 - C. CAGE: BRASS, NICKEL PLATED
 - D. TERMINAL: BRASS, TIN PLATED
- RATING: 300V, 30A
- MAX TORQUE: 4.5 LBF. IN.
- WIRE RANGE: 30-10 AWG
- WIRE STRIP: .31 IN, (8.0mm)
- DIELECTRIC VOLTAGE WITHSTAND: AC 2500V FOR 1 MINUTE.
- INSULATION RESISTANCE: DC 500V, 500MΩ
- RATED IMPULSE VOLTAGE: 4000V, PLUS AND MINUS 5 TIMES EACH
- OPERATING TEMPERATURE: -40°C TO +105°C
- MAX. SOLDERING TEMP: 250°C (500°F) FOR 5 SECONDS
- DIMS SHOWN ARE FOR REFERENCE ONLY



TOLERANCES			
MM	TOL	INCH	TOL
0-6	±0.25	0-.24	±.010
>6-30	±0.40	.24-1.18	±.016
>30-120	±0.50	1.18-4.76	±.020
>120	±0.80	>4.76	±.031

SYMBOLS	THIS DRAWING CONTAINS INFORMATION THAT IS PROPRIETARY TO MOLEX ELECTRONIC TECHNOLOGIES, LLC AND SHOULD NOT BE USED WITHOUT WRITTEN PERMISSION			
	DIMENSION UNITS	SCALE	CURRENT REV DESC: ADDED BLACK PART NUMBERS	
∇ = 0	INCH/MM	3:1	<p>molex</p> <p>EURO TERMINAL BLOCK 9.53MM MODULAR VERTICAL</p> <p>PRODUCT CUSTOMER DRAWING</p>	
∇ = 0	GENERAL TOLERANCES (UNLESS SPECIFIED)			
∇ = 0	MM	INCH		
∇ = 0	4 PLACES ± --- ± ---	DRWN: ABENJAMINLW 2019/11/25		
∇ = 0	3 PLACES ± --- ± SEE CHART	CHK'D: DACHAMMER 2019/12/06		
∇ = 0	2 PLACES ± SEE CHART ± SEE CHART	APPR: JFMURPHY 2019/12/12		
∇ = 0	1 PLACE ± SEE CHART ± ---	INITIAL REVISION:		
∇ = 0	0 PLACES ± --- ± ---	DRWN: RSTONE 2014/06/27		
∇ = 0	ANGULAR TOL ± ---	APPR: JFMURPHY 2014/10/16		
∇ = 0	DRAFT WHERE APPLICABLE MUST REMAIN WITHIN DIMENSIONS	THIRD ANGLE PROJECTION	DRAWING	SERIES
∇ = 0			C-SIZE	39746
DOCUMENT STATUS		P1	RELEASE DATE	2019/12/12 00:18:41
DOCUMENT NUMBER		SD-39746-001	DOC TYPE	PSD
DOC PART		001	DOC PART	A2
REVISION			SHEET NUMBER	1 OF 1