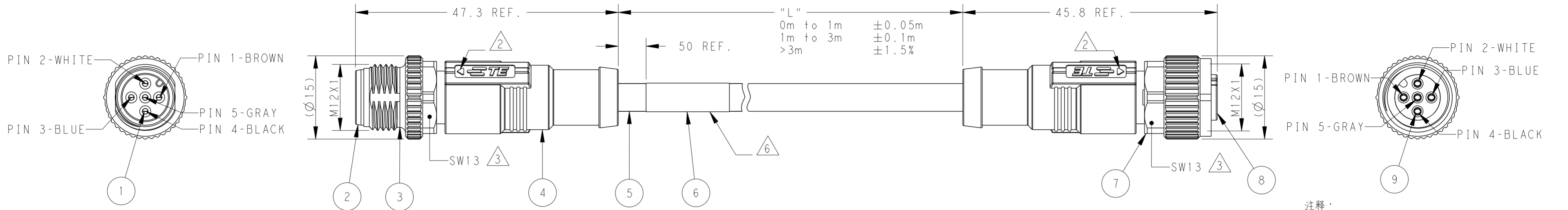


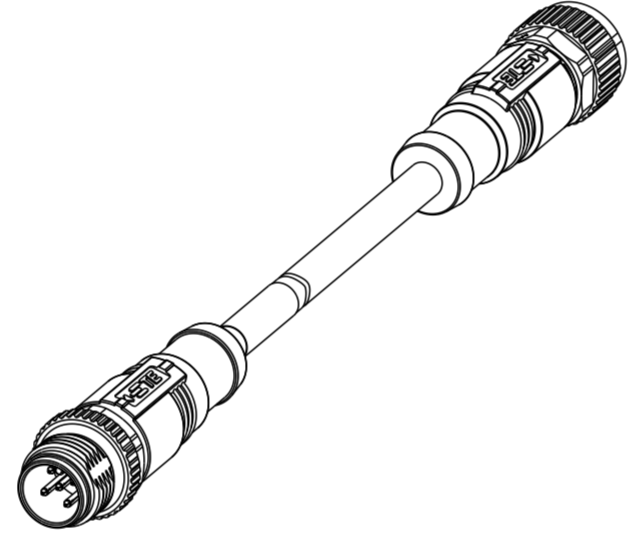
THIS DRAWING IS UNPUBLISHED. RELEASED FOR PUBLICATION 20
 © COPYRIGHT 20 BY - ALL RIGHTS RESERVED.

REVISIONS				
P	LTR	DESCRIPTION	DATE	APVD
A		INITIAL RELEASE	22SEP2019	HW XX
A1		ECR-17-002485 ADD NEW PN	04MAR2017	BP CW
A2		ECR-17-005215 ADD NEW PN	04APR2017	GW CW
B		ECR-22-134410	02NOV2022	BP CW



ITEM	DESCRIPTION	MATERIAL	OTHERS
1	MALE CONTACT	BRONZE	GOLD PLATED
2	MALE HOUSING	NYLON	BLACK
3	MALE NUT	BRASS	NICKEL PLATED
4	OVER-MOLDING	POLYURETHANE	BLUE
5	CABLE	-	-
6	LABEL	-	-
7	FEMALE NUT	BRASS	NICKEL PLATED
8	FEMALE HOUSING	NYLON	BLACK
9	FEMALE CONTACT	BRONZE	GOLD PLATED

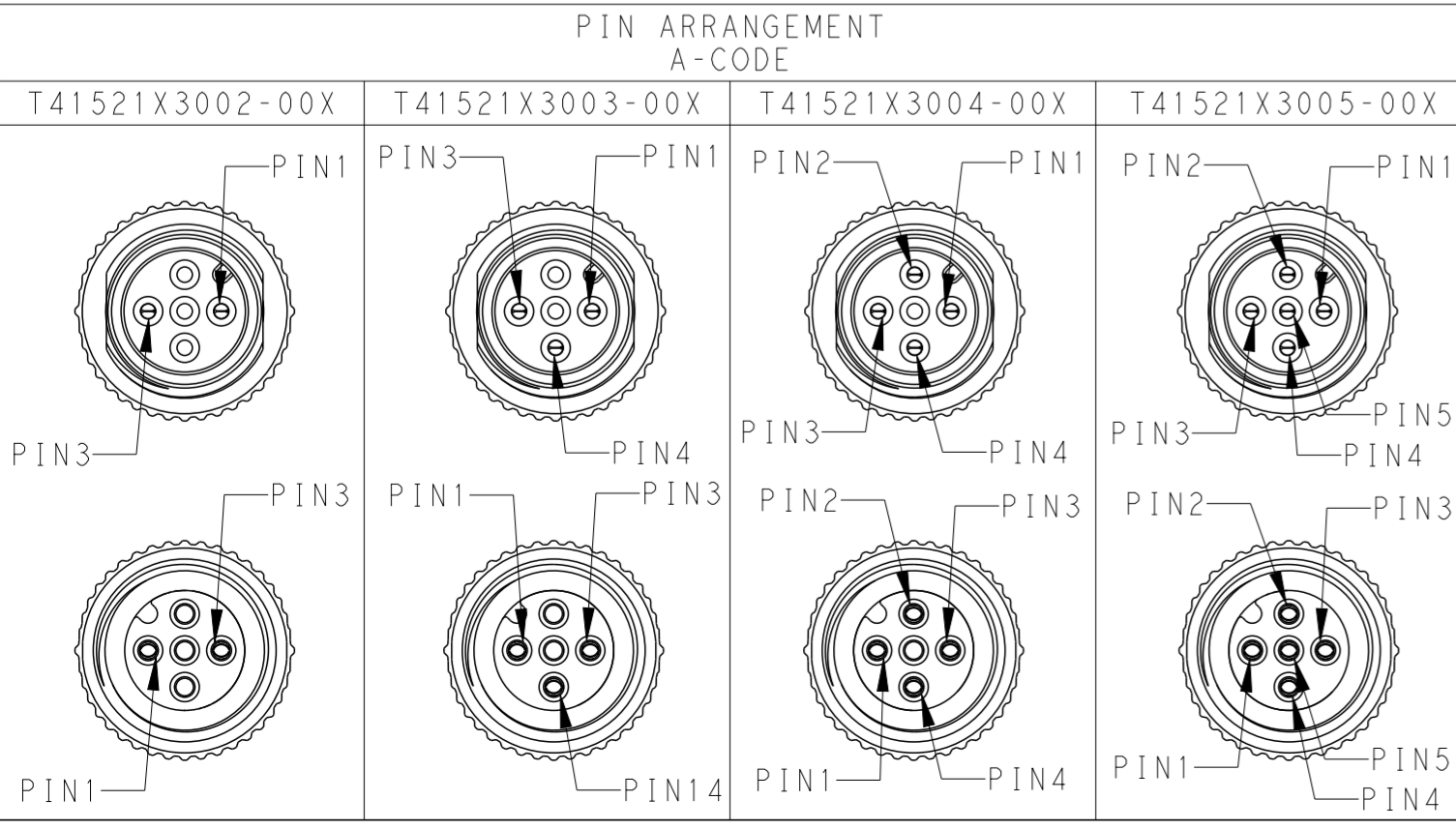
TABLE 1: TECHNICAL DATA	T41521X3002-00X	T41521X3003-00X	T41521X3004-00X	T41521X3005-00X
RATED VOLTAGE	250V	250V	60V	60V
RATED IMPULSE VOLTAGE	2500V	2500V	1500V	1500V
RATED CURRENT	4A	4A	4A	4A
POLLUTION DEGREE	3	3	3	3
OVERVOLTAGE CATEGORY	II	II	II	II
MATERIAL GROUP	II	II	II	II
DEGREE OF PROTECTION	IP67	IP67	IP67	IP67



NOTE:
 △1. TECHNICAL DATA: SEE TABLE 1
 △2. CODE POSITION INDICATOR
 △3. RECOMMENDED TORQUE 0.6 Nm
 △4. -** : CABLE LENGTH
 -0.5:0.5M,
 -1.0:1.0M,
 -1.5:1.5M,
 -3.0:3.0M,
 -5.0:5.0M,
 -7.0:7.0M,
 -10.0:10.0M,
 5. CABLE ASSEMBLY TO BE PACKAGED IN POLYBAGS
 △6. LABEL CONTAINS: PN, DATE CODE...
 △7. -00X: FOR CABLE LENGTH, SEE TABLE 1 AND REFER TO LENGTH "L".

注释:
 △1. 技术参数; 参考表1
 △2. CODE位置指示
 △3. 推荐扭矩0.6 Nm
 △4. -** : 线缆长度
 -0.5:0.5M,
 -1.0:1.0M,
 -1.5:1.5M,
 -3.0:3.0M,
 -5.0:5.0M,
 -7.0:7.0M,
 -10.0:10.0M,
 5. 线缆组件塑料袋包装
 △6. 标签包含: 产品编号, 日期代码...
 △7. -00X: 线缆长度, 参考表2, 参照长度"L"
 对于在线定制料号, 相关料号用C替代T, 这些料号通过CTO工具产生

FOR CONFIGURED PARTS ONLINE, MATERIAL PART NUMBER START WITH C INSTEAD OF T, THESE CAN ONLY ORDER THROUGH CTO TOOL



CABLE CHARACTERISTIC	LENGTH "L"	CABLE TEMP. RANGE	JACKET COLOR	JACKET MATERIAL	TYPE	POS.	TE PN SEE LENGTH "L"			
WIRES: 0.34mm ² (22AWG) WIRE COLOR: WH/BR/BK/BL/GR OD: APPROX.4.5MM FOR 2P/3P APPROX.5.0MM FOR 4P/5P STANDARD: -001:0.5 M -002:1.0 M -003:1.5 M -004:3.0 M -005:5.0 M -006:7.0 M -007:10.0 M CUSTOMIZATION: -**0:**.0 M -**5:**.5 M	FIXED: -10°C~+80°C FLXIBLE: -5°C~+80°C	FIXED: -40°C~+80°C FLXIBLE: -25°C~+80°C	GRAY	PVC (UL)	RPC-M12-4MS-**△-M12-4FS-PVC1	5	T4152173004-00X△			
					RPC-M12-3MS-**△-M12-3FS-PUR2	3	T4152183003-00X△			
					RPC-M12-5MS-**△-M12-5FS-PUR	5	T4152123005-00X△			
					RPC-M12-4MS-**△-M12-4FS-PUR	4	T4152123004-00X△			
					RPC-M12-3MS-**△-M12-3FS-PUR	3	T4152123003-00X△			
					RPC-M12-2MS-**△-M12-2FS-PUR	2	T4152123002-00X△			
					RPC-M12-5MS-**△-M12-5FS-PVC	5	T4152113005-00X△			
					RPC-M12-4MS-**△-M12-4FS-PVC	4	T4152113004-00X△			
					RPC-M12-3MS-**△-M12-3FS-PVC	3	T4152113003-00X△			
					RPC-M12-2MS-**△-M12-2FS-PVC	2	T4152113002-00X△			
					FIXED: -10°C~+80°C FLXIBLE: -5°C~+80°C	BLACK	PVC (UL)	RPC-M12-4MS-**△-M12-4FS-PVC	4	T4152113004-00X△
					RPC-M12-3MS-**△-M12-3FS-PVC	3	T4152113003-00X△			
RPC-M12-2MS-**△-M12-2FS-PVC	2	T4152113002-00X△								

THIS DRAWING IS A CONTROLLED DOCUMENT.		DWN HAO WANG 22SEP2016	TE Connectivity	
DIMENSIONS: mm		CHK KOBBY ZHAO 22SEP2016		
TOLERANCES UNLESS OTHERWISE SPECIFIED:		APVD XIANG XU 22SEP2016	NAME M12X1 MALE STR. TO FEMALE STR. A-CODE, UNSHIELDED,	
0 PLC ±		PRODUCT SPEC 108-106140	SIZE A2	
1 PLC ±		APPLICATION SPEC	CAGE CODE	
2 PLC ±		WEIGHT	DRAWING NO	
3 PLC ±		CUSTOMER DRAWING	RESTRICTED TO	
4 PLC ±		SCALE 1:1	SHEET 1 OF 1	
ANGLES ±			REV B	
FINISH				