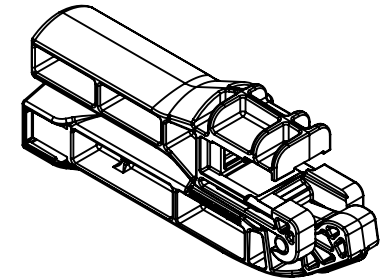
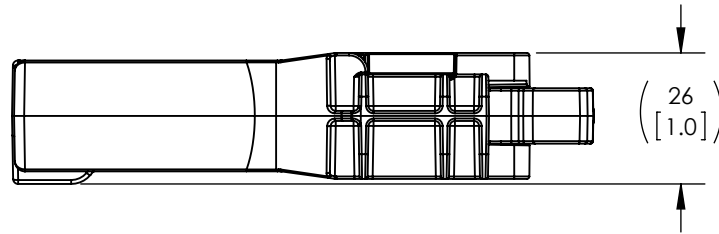


SW2014

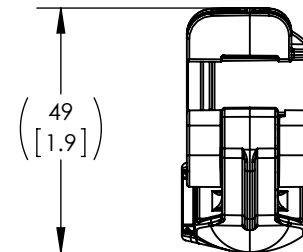
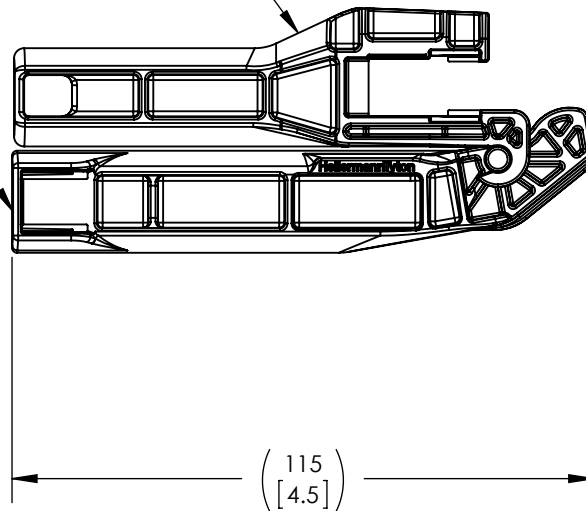


Revision level			Revision Record	Changed	Date	Approved	Date
Drawing	State	Part					
02.1	Design Release	A	SEE ECN# 300259	RDN	8/8/16	RDN	8/8/16



TOOL TOP DETAIL PER
16-0342-001-DTL

TOOL BOTTOM DETAILED
PER 16-0342-002-DTL



THIS TOOL IS DESIGNED TO WORK WITH
THE FOLLOWING HT JACKS:
GSTJ6AU
GSTJC6U
GSTJ5EU

INSPECTION NOTICE:

REFER TO DETAIL DRAWINGS FOR INSPECTION DIMENSION CHECK

Material UR066NG33NAT COLOR: CLARIANT NC6B REEDLITE BLUE CNY 12048	Units: millimeters Dimension without tolerances details to: .xxx = ±.013 .xx = ±.13 .x = ±.3 None = ±.8 < = ±0.5° Dimension Formatted mm/[in]	The copyright of this drawing is reserved by HellermannTyton. It is issued on condition that it is not reproduced, copied, or disclosed to a third party, either wholly or in part, without the consent of HellermannTyton.	Drawn	EJF	3/18/16	Article/Type-No: HT-PT	Scale	1:1		
			Approved	KAC	3/24/16		Title	Project Number		
			HellermannTyton North America Email: corp@htamericas.com Web: www.hellermann.tyton.com			Pocket Termination Tool			Drawing-No 16-0342-101-CSU	Format
						Pre-Production : Phase		Sheet		1/1