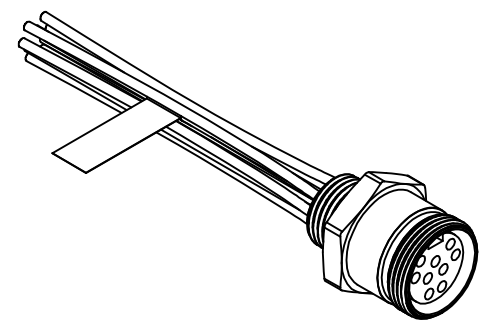
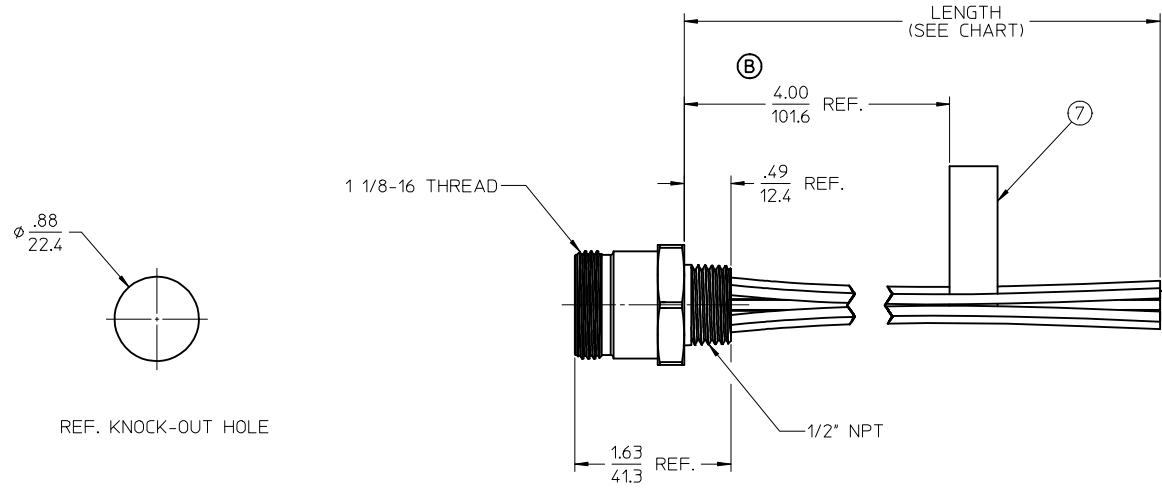
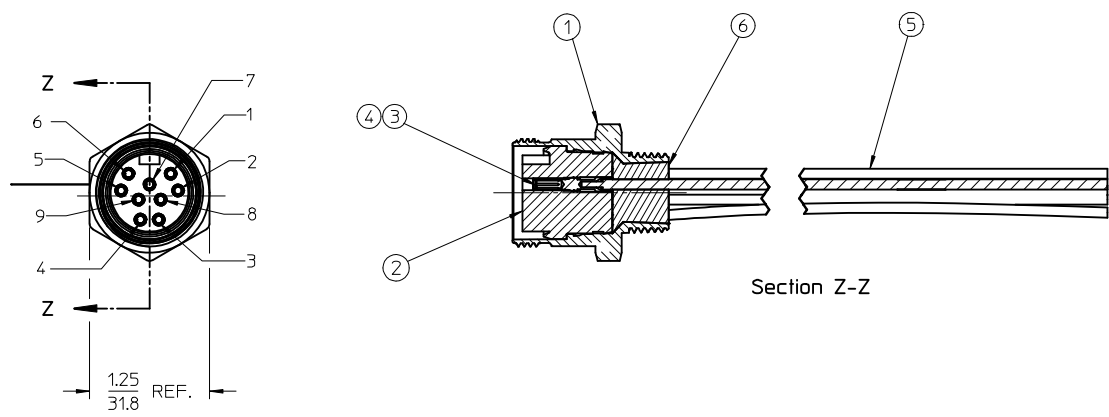


MATERIAL NO.	ENGINEERING NO.	LENGTH
1300150117	3R9004A20A120	12' +.75-0 [305mm +19.0-0]
1300150121	3R9004A20F030	3'0" +1.75-0 [.9M +44.5-0]
1300150124	3R9004A20F060	6'0" +2.19-0 [1.8M +55.6-0]



- NOTES:
1. MATERIAL: SEE TABLE
 2. FINISHES: SEE TABLE
 3. MATES WITH: NONE
 4. ELECTRICAL SPECIFICATIONS:
VOLTAGE RATING: 600V AC/DC
CURRENT RATING: 7 AMPS
 5. RoHS COMPLIANT



1	ORANGE
2	BLUE
3	RED-BLACK
4	GREEN-BLACK
5	WHITE
6	RED
7	GREEN-YELLOW
8	WHITE-BLACK
9	BLACK

WIRING DIAGRAM

ITEM	QTY.	DESCRIPTION	MATERIAL	FINISH
7	1	LABEL	PLASTIC FILM	BLACK/YELLOW
6	1	POTTING	EPOXY	
5	9	WIRE, 16 AWG (UL 1015)	PVC INSULATED	SEE WIRE DIAGRAM
4	9	SOCKET SLEEVE	ST. STEEL	
3	9	CONTACT SOCKET	BRASS	GOLD PLATED
2	1	INSERT	PVC	YELLOW
1	1	RECEPTACLE SHELL	ZINC ALLOY	E-COAT, BLACK

WAS 3.00	EC NO: MNA2010-0101	DRWNR: STONE	2009/08/17
	CHKD: B. WOODMAN	APPR: J. MURPHY	2009/08/21
REV	DESCRIPTION		

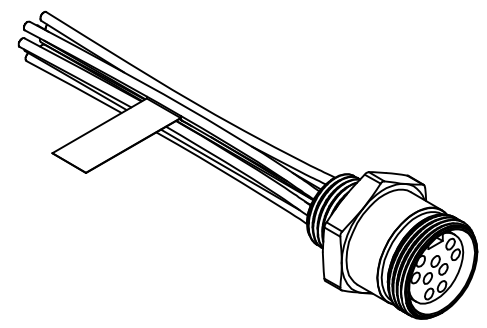
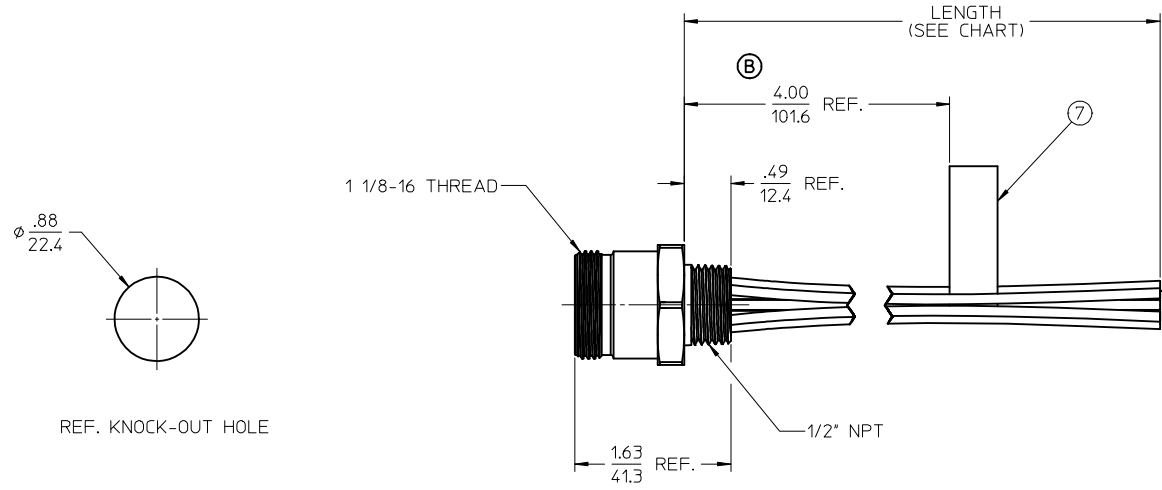
QUALITY SYMBOLS	GENERAL TOLERANCES (UNLESS SPECIFIED)	
	mm	INCH
▽=0	4 PLACES ± .005	± .005
▽=0	3 PLACES ± .005	± .005
	2 PLACES ± .005	± .01
	1 PLACE ± 0.3	± .005
	ANGULAR ± 1/2°	

DIMENSION STYLE		SCALE	DESIGN UNITS	THIRD ANGLE PROJECTION
IN/MM		1:1	INCH	
DRAWN BY	DATE	TITLE		
R. STONE	2009/03/26	MC RECEPTACLE, FEMALE 9 POLE, 1/2" NPT		
CHECKED BY	DATE	MATERIAL NO.		
B. WOODMAN	2009/03/27	SEE CHART		
APPROVED BY	DATE	DOCUMENT NO.		
J. MURPHY	2009/03/31	SD-130015-002		
SIZE		SHEET NO.		
C		1 OF 1		

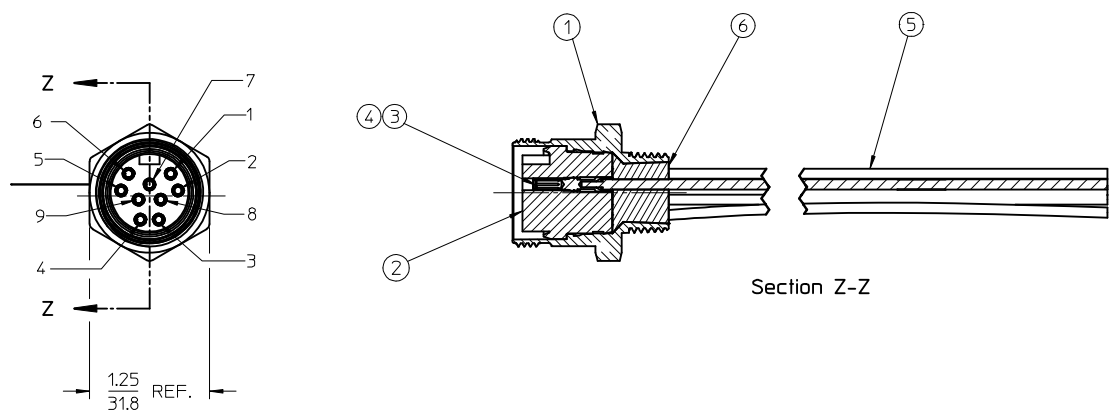
DRAFT WHERE APPLICABLE MUST REMAIN WITHIN DIMENSIONS

THIS DRAWING CONTAINS INFORMATION THAT IS PROPRIETARY TO MOLEX INCORPORATED AND SHOULD NOT BE USED WITHOUT WRITTEN PERMISSION

MATERIAL NO.	ENGINEERING NO.	LENGTH
1300150117	3R9004A20A120	12' +.75-0 [305mm +19.0-0]
1300150121	3R9004A20F030	3'0" +1.75-0 [.9M +44.5-0]
1300150124	3R9004A20F060	6'0" +2.19-0 [1.8M +55.6-0]



- NOTES:
1. MATERIAL: SEE TABLE
 2. FINISHES: SEE TABLE
 3. MATES WITH: NONE
 4. ELECTRICAL SPECIFICATIONS:
VOLTAGE RATING: 600V AC/DC
CURRENT RATING: 7 AMPS
 5. RoHS COMPLIANT



1	ORANGE
2	BLUE
3	RED-BLACK
4	GREEN-BLACK
5	WHITE
6	RED
7	GREEN-YELLOW
8	WHITE-BLACK
9	BLACK

WIRING DIAGRAM

ITEM	QTY.	DESCRIPTION	MATERIAL	FINISH
7	1	LABEL	PLASTIC FILM	BLACK/YELLOW
6	1	POTTING	EPOXY	
5	9	WIRE, 16 AWG (UL 1015)	PVC INSULATED	SEE WIRE DIAGRAM
4	9	SOCKET SLEEVE	ST. STEEL	
3	9	CONTACT SOCKET	BRASS	GOLD PLATED
2	1	INSERT	PVC	YELLOW
1	1	RECEPTACLE SHELL	ZINC ALLOY	E-COAT, BLACK

WAS 3.00 EC NO: MNA2010-0101 DRAWN BY: DRWINRSTONE 2009/08/17 CHKD BY: WOODMAN APPR: J. MURPHY 2009/08/21	QUALITY SYMBOLS
	$\nabla=0$ $\nabla=0$
	DESCRIPTION
	REV

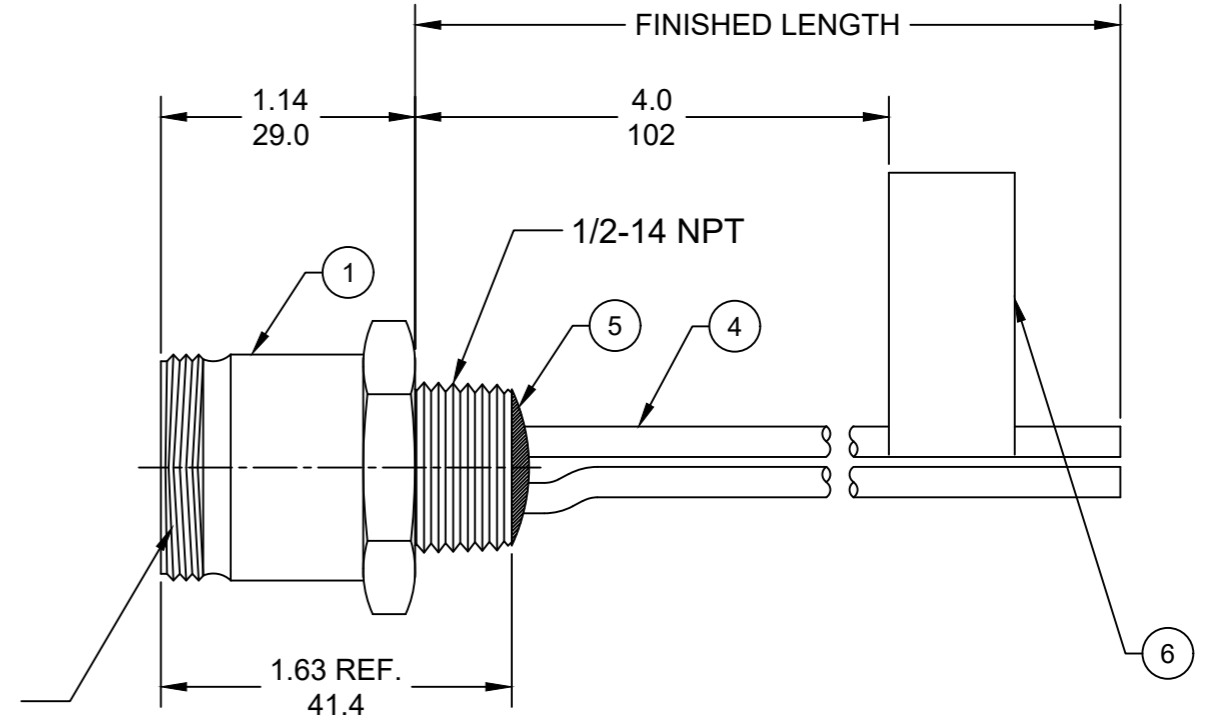
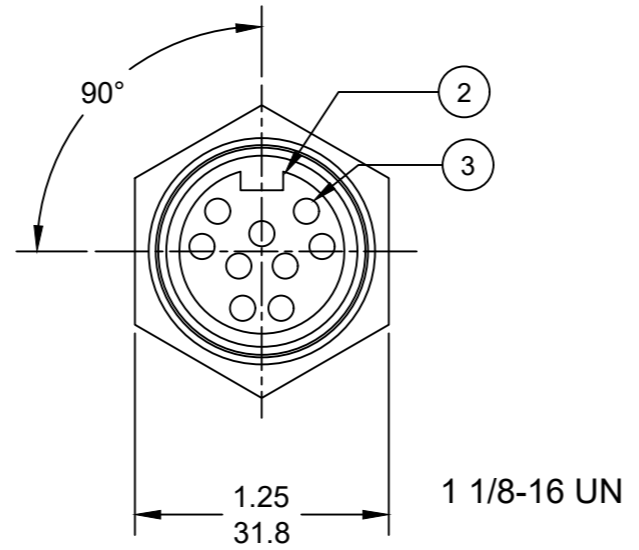
GENERAL TOLERANCES (UNLESS SPECIFIED)	
	IN/MM
4 PLACES	$\pm .005 / \pm .127$
3 PLACES	$\pm .003 / \pm .076$
2 PLACES	$\pm .002 / \pm .051$
1 PLACE	$\pm .001 / \pm .025$
ANGULAR $\pm 1/2^\circ$	

DRAFT WHERE APPLICABLE MUST REMAIN WITHIN DIMENSIONS

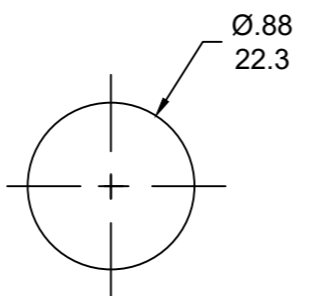
DIMENSION STYLE	
IN/MM	
DRAWN BY	DATE
R. STONE	2009/03/26
CHECKED BY	DATE
B. WOODMAN	2009/03/27
APPROVED BY	DATE
J. MURPHY	2009/03/31

SCALE	DESIGN UNITS	THIRD ANGLE PROJECTION
1:1	INCH	
TITLE MC RECEPTACLE, FEMALE 9 POLE, 1/2" NPT		
MOLEX INCORPORATED		
MATERIAL NO.	DOCUMENT NO.	SHEET NO.
SEE CHART	SD-130015-002	1 OF 1
THIS DRAWING CONTAINS INFORMATION THAT IS PROPRIETARY TO MOLEX INCORPORATED AND SHOULD NOT BE USED WITHOUT WRITTEN PERMISSION		

FACE VIEW-FEMALE INSERT		
1 ORANGE 2 BLUE 3 RED/BLACK 4 GREEN/BLACK 5 WHITE 6 RED 7 GREEN/YELLOW 8 WHITE/BLACK 9 BLACK	1 ORANGE 2 BLUE 3 WHITE/BLACK 4 RED/BLACK 5 GREEN/BLACK 6 ORANGE/BLACK 7 RED 8 GREEN/YELLOW 9 BLACK 10 WHITE	1 ORANGE 2 BLUE 3 WHITE/BLACK 4 RED/BLACK 5 GREEN/BLACK 6 ORANGE/BLACK 7 BLUE/BLACK 8 BLACK/WHITE 9 GREEN/YELLOW 10 RED 11 WHITE 12 BLACK



PART NO	ENGINEERING NO.	FINISHED LENGTH
1300150117	3R9004A20A120	12 IN [0.3M]
1300150038	3R1004A20F100	10 FT [3.0M]
1300150001	3R2004A20M060	6.0M [19 FT 8 IN]



REF. KNOCKOUT HOLE

PART NO. MATRIX

3R1004A20F010

POLES
 9= 9 POLES
 1=10 POLES
 2=12 POLES

LENGTH:

A120= 12 INCHES
 F001= .1 FT
 F020= 2 FT
 F200= 20 FT

M005= 0.5 METER
 M010= 1 METER
 M100= 10 METER

CABLE LENGTH TOLERANCES	
>.3M [1FT]:	+19mm-0 [+1.75in-0]
.3 - .9M [1 - 3FT]:	+44.5mm-0 [+1.75in-0]
.9 - 1.8M [3 - 6FT]:	+55.6mm-0 [+2.19in-0]
1.8 - 3.7M [6 - 12FT]:	+88.9mm-0 [+3.50in-0]
3.7 - 7.3M [12 - 24FT]:	+165.1mm-0 [+6.50in-0]
7.3-14.6M [24 - 48FT]:	+317.5mm-0 [+12.50in-0]
14.6 - 30.5M [48-100FT]:	+622.3mm-0 [+24.50in-0]
OVER 30M [100FT]	+2% OF FINISHED LENGTH

- NOTES:
- MATERIAL: AS NOTED
 - FINISH: AS NOTED
 - ELECTRICAL:
 VOLTAGE: 320V PER IEC60664
 600V PER UL2238
 CURRENT: 9 POLE: 7A
 10 POLE: 7A
 12 POLE: 5A
 - TEMP RATING: -20°TO +105°C
 - PROTECTION: IP67 (WHEN MATED)
 - UL RECOGNIZED, FILE: E152210
 CSA CERTIFIED, FILE: LR6837
 - ALL DIMENSIONS ARE FOR REFERENCE UNLESS TOLERANCED OR NOTED OTHERWISE

ITEM	DESCRIPTION	MATERIAL	FINISH
6	FLAG LABEL	VINYL	BLACK/YELLOW
5	POTTING MATERIAL	EPOXY	
4	WIRE, 16 AWG UL (1015)	PVC INSULATION	SEE CHART
3	CONTACT SOCKET	COPPER ALLOY	GOLD PLATED
2	FEMALE INSERT (C-SIZE)	TPE	YELLOW
1	RECEPTACLE SHELL	ZINC DIE-CAST	BLACK

DOCUMENT STATUS P1 RELEASE DATE 2020/07/27 17:35:18

FUNCTIONAL SYMBOLS $F_A=0$ $F_C=0$ $F_P=0$ DIVISIONAL SYMBOLS	THIS DRAWING CONTAINS INFORMATION THAT IS PROPRIETARY TO MOLEX ELECTRONIC TECHNOLOGIES, LLC AND SHOULD NOT BE USED WITHOUT WRITTEN PERMISSION		CURRENT REV DESC: ITEM #2 WAS PVC, ADDED CSA IN NOTES AND MODIFIED MATERIAL TABLE	
	DIMENSION UNITS	SCALE	EC NO: 641453	
	INCH/MM	NTS	DRWN: ABENJAMINLW 2020/06/25	2020/07/20
	GENERAL TOLERANCES (UNLESS SPECIFIED)		CHK'D: RSTONE	2020/07/27
4 PLACES ±----		APPR: BWOODMAN	2020/07/27	INITIAL REVISION:
3 PLACES ±----		DRWN: RSTONE 2016/07/11		DOCUMENT NUMBER
2 PLACES ±----		APPR: TWOLDEGE 2016/08/19		SD-130015-026
1 PLACE ±----		ANGULAR TOL ± 2.0 °		DOC TYPE/DOC PART/REVISION
0 PLACES ±----		DRAFT WHERE APPLICABLE MUST REMAIN WITHIN DIMENSIONS		PSD 001 C
THIRD ANGLE PROJECTION		DRAWING	SERIES	MATERIAL NUMBER
B-SIZE		130015	SEE_CHART	CUSTOMER
SHEET NUMBER		GENERAL MARKET		1 OF 1

molex

MINI-CHANGE RECEPTACLE, C-SIZE,
 9, 10 & 12 POLE, FEMALE, STRAIGHT, SINGLE KEY,
 16 AWG

PRODUCT CUSTOMER DRAWING