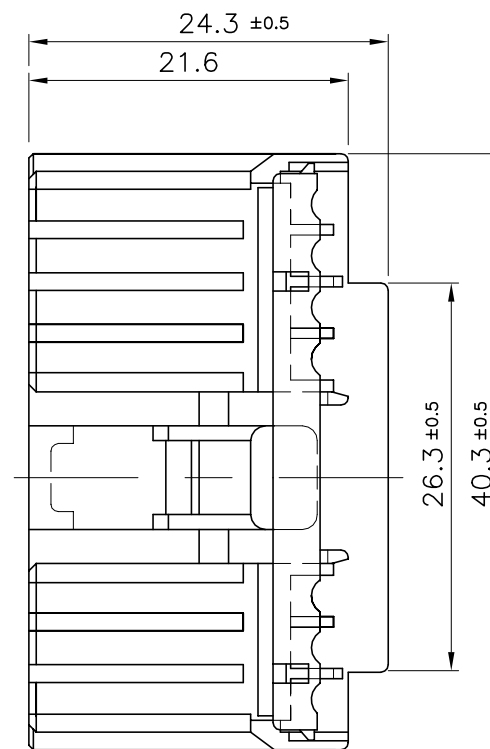
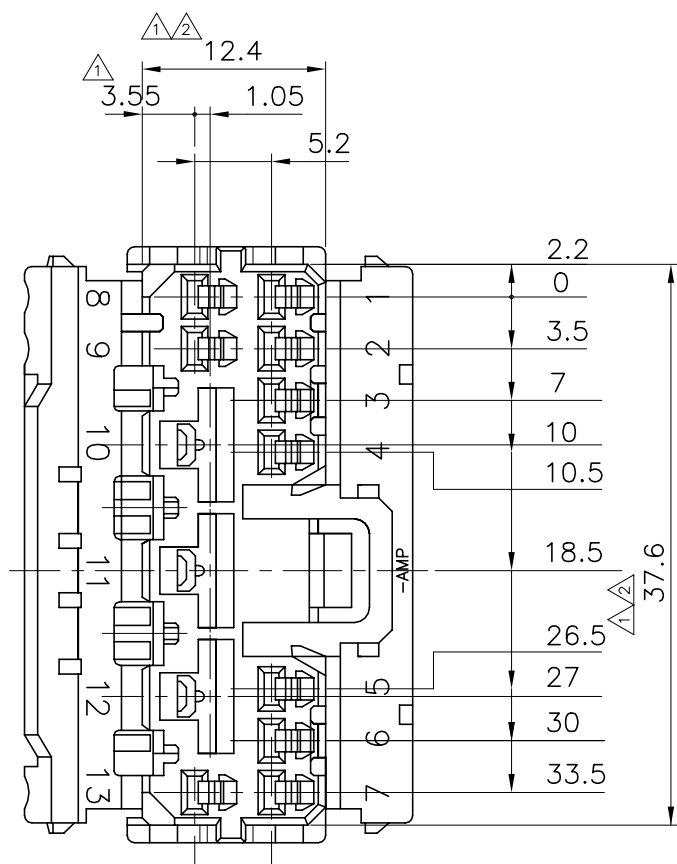
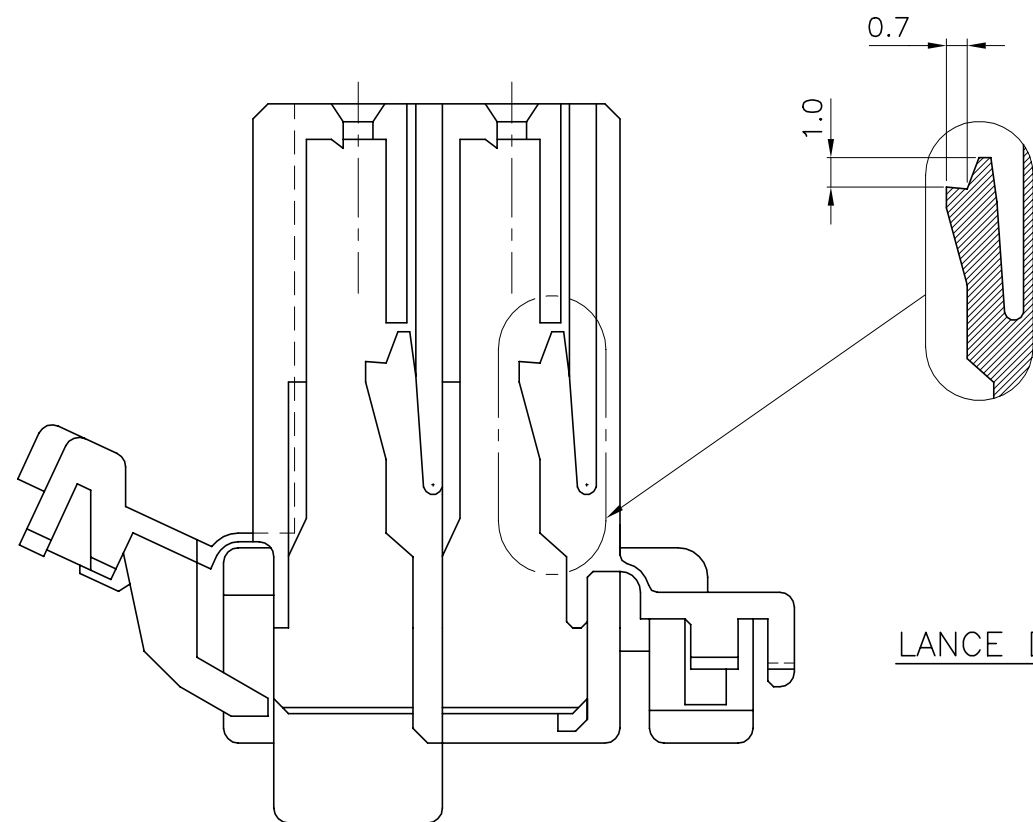


P	LTR	DESCRIPTION	DATE	DWN	APVD
	B1	REVISED ECR-22-131601	16SEP2022	VI	JJ

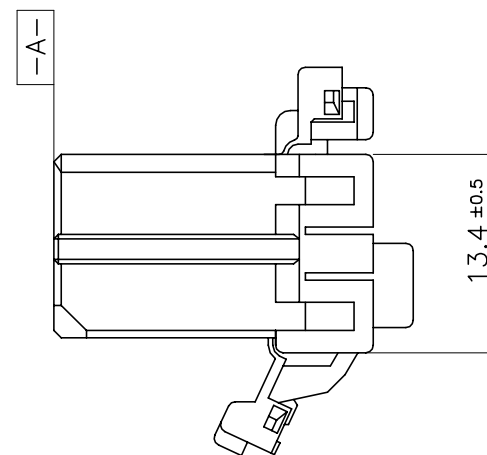


NOTE:

- ① TO BE MEASURED BETWEEN -A- AND 2
- ② TO BE MATE WITH TAP HSG SMOOTHLY
- 3 APPLIED RECEPTACLE CONTACT PART NUMBERS  
.070 SERIES, 173630, 173631  
.250 SERIES, 170032, 170258, 170384
- 4 APPLIED CAP HSG P/N : 85112
- ⓑ ③ THESE ARE FOR LOCAL CUSTOMER WITH POLY BAG/MID BOX/OUT BOX.
- ⓑ ④ THIS IS FOR EXPORT WITH TRAY/OUT BOX.



LANCE DETAIL



P/N	MATERIAL	COLOR	PACKING
1-85111-2	P.B.T	BLACK	ⓑ ④
85111-5	P.B.T	BLUE	ⓑ ④
85111-4	P.B.T	GREEN	ⓑ ④
85111-2	P.B.T	BLACK	ⓑ ④
85111-1	P.B.T	WHITE	ⓑ ④

OBSOLETE

SECTION A-A

TOLERANCES UNLESS OTHERWISE SPECIFIED:

0<XX<10 ±0.2  
10<XX<30 ±0.25  
30<XX ±0.3  
ANGLES ±3°

THIS DRAWING IS A CONTROLLED DOCUMENT.		DWN	YD. LEE	-	<b>TE</b> TE Connectivity											
DIMENSIONS: mm		CHK	BM JANG	-												
TOLERANCES UNLESS OTHERWISE SPECIFIED:		APVD	CS LEE	-												
<table border="0"> <tr><td>0 PLC</td><td>± -</td></tr> <tr><td>1 PLC</td><td>± -</td></tr> <tr><td>2 PLC</td><td>± -</td></tr> <tr><td>3 PLC</td><td>± -</td></tr> <tr><td>4 PLC</td><td>± -</td></tr> <tr><td>ANGLES</td><td>± -</td></tr> </table>		0 PLC	± -	1 PLC		± -	2 PLC	± -	3 PLC	± -	4 PLC	± -	ANGLES	± -	PRODUCT SPEC	-
0 PLC	± -															
1 PLC	± -															
2 PLC	± -															
3 PLC	± -															
4 PLC	± -															
ANGLES	± -															
MATERIAL	SEE TABLE	FINISH	-	APPLICATION SPEC	-											
		WEIGHT	0	NAME	.070/.250 HYBRID 13P PLUG HSG											
		CUSTOMER DRAWING		SIZE	A3											
				CAGE CODE	00779											
				DRAWING NO	C-85111											
				RESTRICTED TO	-											
				SCALE	1:1											
				SHEET	1 OF 1											
				REV	B1											