

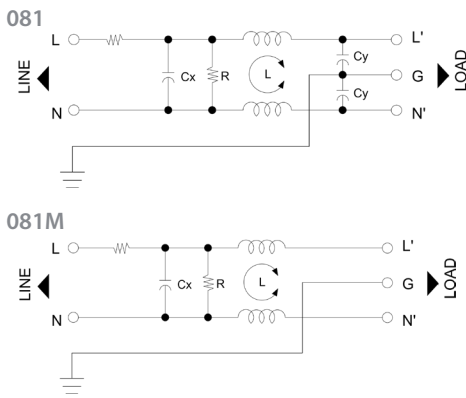
# 081(M)

## FILTERED POWER ENTRY MODULES WITH FUSE HOLDER (GENERAL PURPOSE & MEDICAL)

### FEATURES

- » Rated currents include **1A, 3A, 6A, and 10A**
- » Single Stage
- » Available with quick disconnect tabs and wire leads options
- » General Purpose & Low Leakage (M)edical options
- » Compact safety fuse module design
- » Easy to use IEC inlet power entry filter with safety fuse
- » Agency Approvals *UL and EN 60939, CSA C22.2*
- » Y-cap value can be adjusted

### ELECTRICAL SCHEMATIC



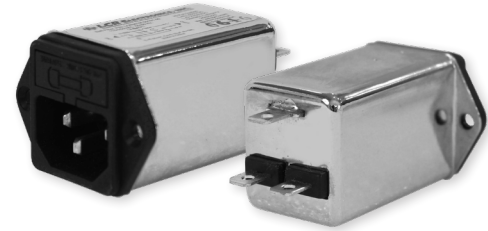
### HOW TO ORDER

081M.0ZZ01.00-T



**NOTE:** USE ANY COMBINATOR OF **M, ZZ AND T**

E.G. **081.00100.00** (1A GENERAL PURPOSE VERSION) | **081M.00300.00** (3A LOW LEAKAGE MEDICAL VERSION)



### SPECIFICATIONS

|                        |                             |
|------------------------|-----------------------------|
| OPERATING FREQUENCY    | 50/60Hz                     |
| IEC INLET              | C14                         |
| MAX. OPERATING VOLTAGE | 250VAC +10%                 |
| CLIMATIC CATEGORY      | 25/85/21                    |
| TERMINALS (-T)         | 0.25" TABS<br>W: WIRE LEADS |

TYP. WEIGHT, LBS (KG) 0.10 (0.04)

#### TYPICAL LEAKAGE CURRENT 081

|                 |                  |
|-----------------|------------------|
| @ 250 VAC 50 Hz | 0 - 0.42 mA Max. |
| @ 120 VAC 60 Hz | 0 - 0.23 mA Max. |

#### TYPICAL LEAKAGE CURRENT 081M

|                 |               |
|-----------------|---------------|
| @ 250 VAC 50 Hz | 0 - 10uA Max. |
| @ 120 VAC 60 Hz | 0 - 5uA Max.  |

#### HIPOT RATINGS

|                |          |
|----------------|----------|
| LINE TO LINE   | 1450 VDC |
| LINE TO GROUND | 2250 VDC |

### TYPICAL APPLICATIONS

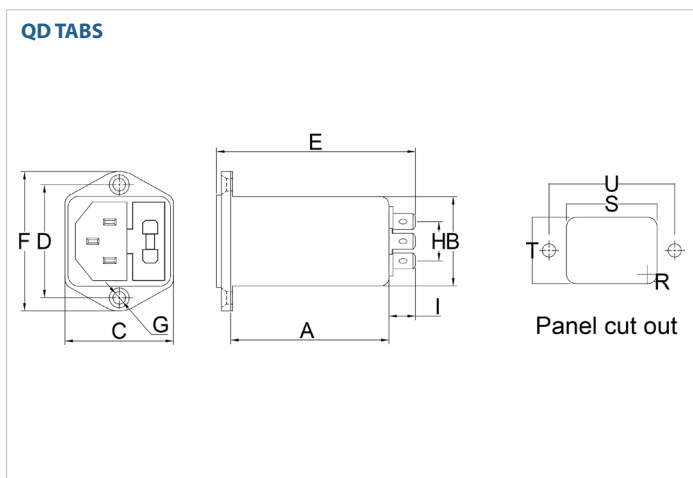
- ✓ Household appliances and equipment
- ✓ Small medical equipment
- ✓ Portable electrical and electronic equipment
- ✓ Test and measurement/lab equipment
- ✓ Rack mounted equipment

# 080(M)

## POWER ENTRY AND OUTLET FILTERS (GENERAL PURPOSE & MEDICAL)

| MODEL NO.     | RATED CURRENT, A @ 40° C | TERMINAL OPTIONS |            | APPLICATION PURPOSE |         | MAX. DIMENSIONS" (MM) |           |           |
|---------------|--------------------------|------------------|------------|---------------------|---------|-----------------------|-----------|-----------|
|               |                          | (QD) OUTPUT      | (W) OUTPUT | GENERAL             | MEDICAL | WIDTH                 | (LENGTH)  | HEIGHT    |
| 081.00101.00  | 1                        | ✓                | ✓          | ✓                   |         | 1.11"(28)             | 2.00"(51) | 1.34"(34) |
| 081.00301.00  | 3                        | ✓                | ✓          | ✓                   |         | 1.11"(28)             | 2.00"(51) | 1.34"(34) |
| 081.00601.00  | 6                        | ✓                | ✓          | ✓                   |         | 1.11"(28)             | 2.00"(51) | 1.34"(34) |
| 081.01001.00  | 10                       | ✓                | ✓          | ✓                   |         | 1.11"(28)             | 2.00"(51) | 1.34"(34) |
| 081M.00101.00 | 1                        | ✓                | ✓          |                     | ✓       | 1.11"(28)             | 2.00"(51) | 1.34"(34) |
| 081M.00301.00 | 3                        | ✓                | ✓          |                     | ✓       | 1.11"(28)             | 2.00"(51) | 1.34"(34) |
| 081M.00601.00 | 6                        | ✓                | ✓          |                     | ✓       | 1.11"(28)             | 2.00"(51) | 1.34"(34) |
| 081M.01001.00 | 10                       | ✓                | ✓          |                     | ✓       | 1.11"(28)             | 2.00"(51) | 1.34"(34) |

### 080(M) MECHANICAL OUTLINES (MM)



| SERIES                 | (A)           | B             | C             | D             | E             | F             | G     | H             | I            | J             | K             | L             | M            | R            |
|------------------------|---------------|---------------|---------------|---------------|---------------|---------------|-------|---------------|--------------|---------------|---------------|---------------|--------------|--------------|
| <b>QD TABS (1-10A)</b> | 2.00"<br>(51) | 1.11"<br>(28) | 1.34"<br>(34) | 1.42"<br>(36) | 2.60"<br>(66) | 1.75"<br>(45) | 2*4.0 | 0.47"<br>(12) | 0.35"<br>(9) | 1.42"<br>(36) | 1.16"<br>(30) | 1.32"<br>(34) | 0.12"<br>(3) | 0.17"<br>(4) |

TYPICAL TOLERANCE: +/-0.02" (0.50MM)

# 080(M)

## POWER ENTRY AND OUTLET FILTERS (GENERAL PURPOSE & MEDICAL)

### TYPICAL INSERTION LOSS, dB (50/50 Ohm)

#### 081 INSERTION LOSS

| Amps | Freq (MHz) | 0.15 | 0.5  | 1    | 10   | 30   |
|------|------------|------|------|------|------|------|
| 1    | CM (dB)    | 41.0 | 53.0 | 56.0 | 55.0 | 50.0 |
|      | DM (dB)    | 18.0 | 28.0 | 32.0 | 50.0 | 50.0 |
| 3    | CM (dB)    | 37.0 | 49.0 | 51.0 | 50.0 | 50.0 |
|      | DM (dB)    | 18.0 | 28.0 | 32.0 | 50.0 | 50.0 |
| 6    | CM (dB)    | 25.0 | 35.0 | 38.0 | 48.0 | 45.0 |
|      | DM (dB)    | 18.0 | 28.0 | 32.0 | 50.0 | 50.0 |
| 10   | CM (dB)    | 18.0 | 26.0 | 28.0 | 42.0 | 40.0 |
|      | DM (dB)    | 18.0 | 28.0 | 32.0 | 50.0 | 50.0 |

#### 081M INSERTION LOSS

| Amps | Freq (MHz) | 0.15 | 0.5  | 1    | 10   | 30   |
|------|------------|------|------|------|------|------|
| 1    | CM (dB)    | 41.0 | 49.0 | 51.0 | 27.0 | 17.0 |
|      | DM (dB)    | 18.0 | 28.0 | 32.0 | 50.0 | 50.0 |
| 3    | CM (dB)    | 37.0 | 45.0 | 43.0 | 23.0 | 15.0 |
|      | DM (dB)    | 18.0 | 28.0 | 32.0 | 50.0 | 50.0 |
| 6    | CM (dB)    | 25.0 | 31.0 | 33.0 | 23.0 | 15.0 |
|      | DM (dB)    | 18.0 | 28.0 | 32.0 | 50.0 | 50.0 |
| 10   | CM (dB)    | 18.0 | 24.0 | 26.0 | 10.0 | 8.0  |
|      | DM (dB)    | 18.0 | 28.0 | 32.0 | 50.0 | 50.0 |