

MATERIALS AND FINISHES

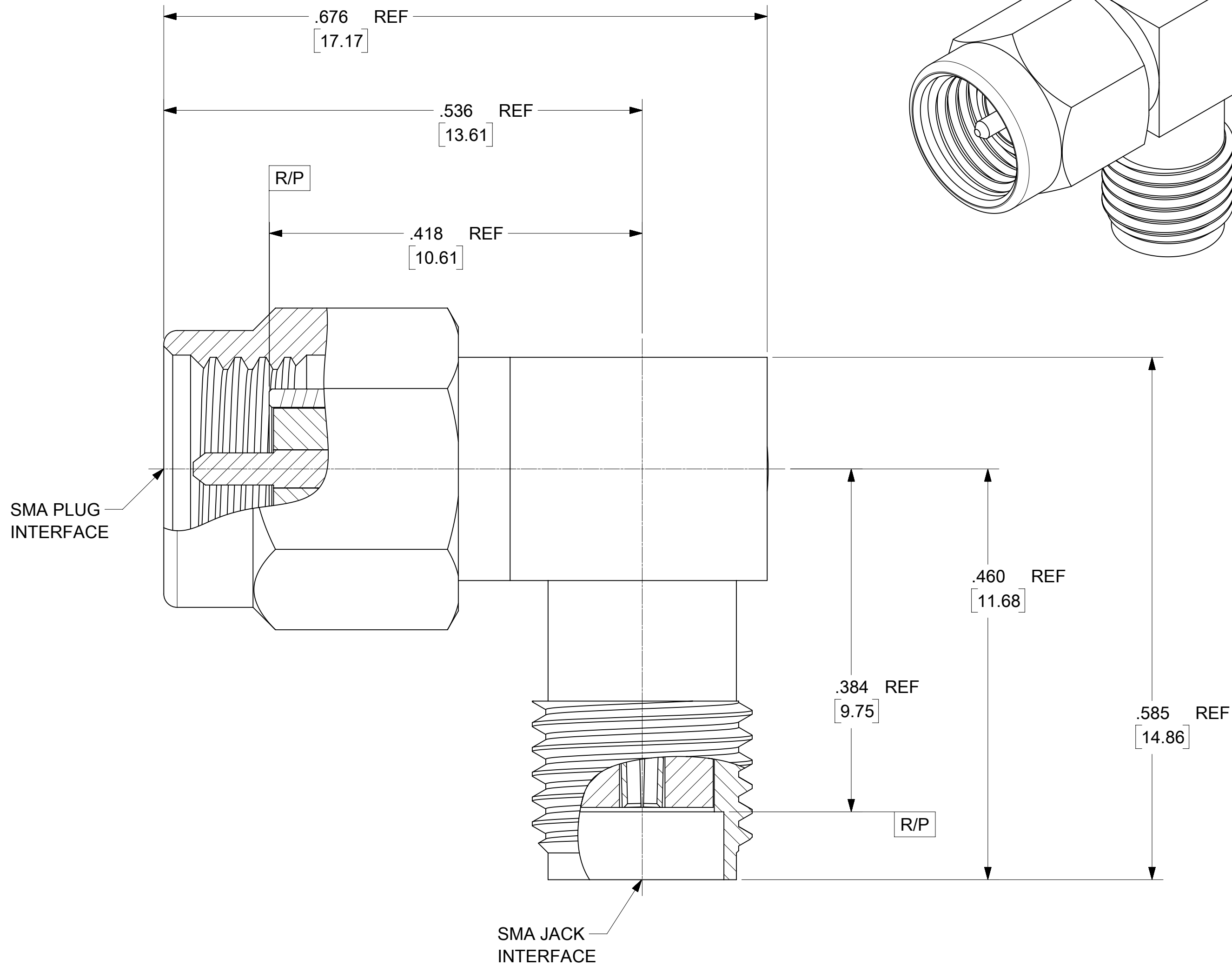
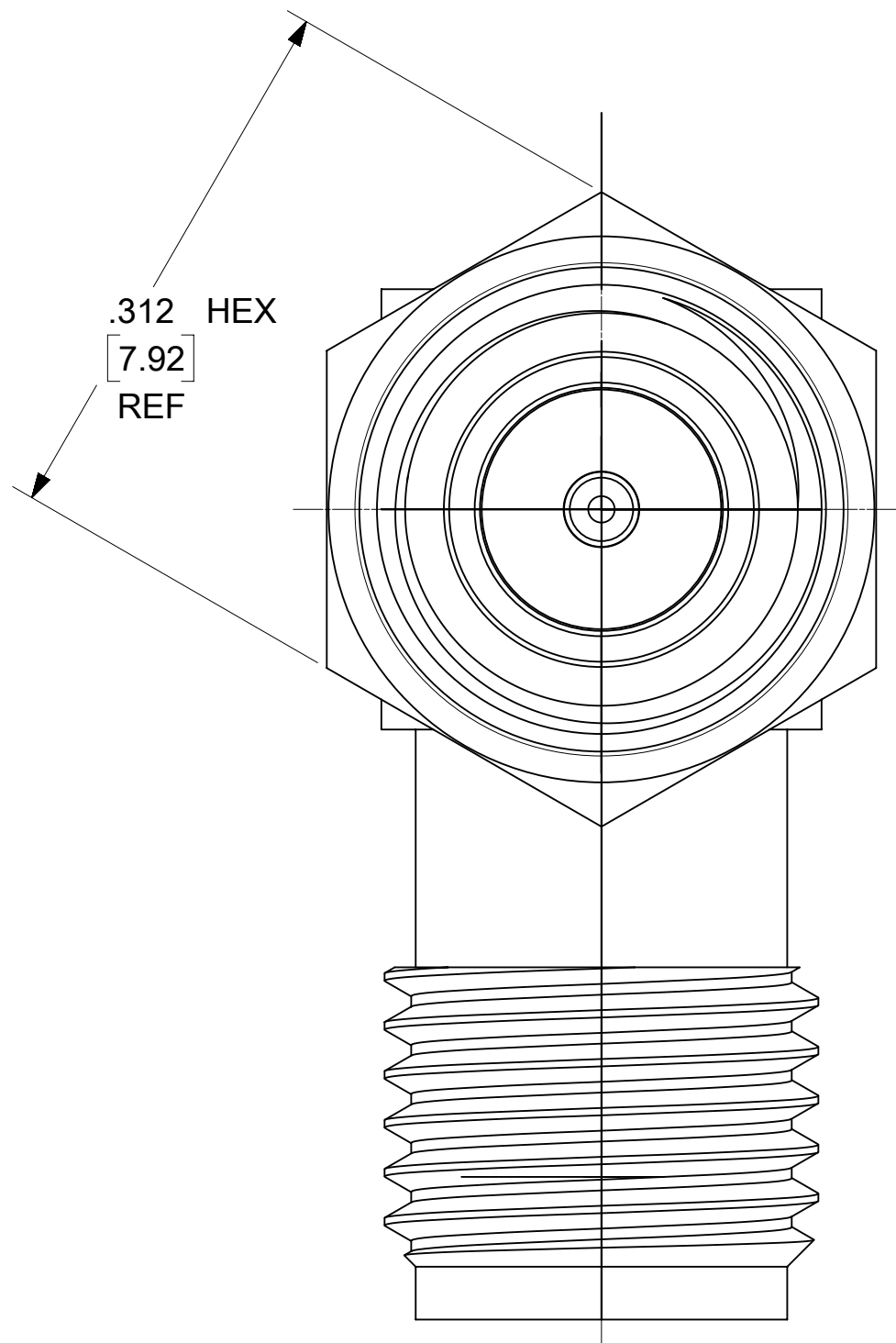
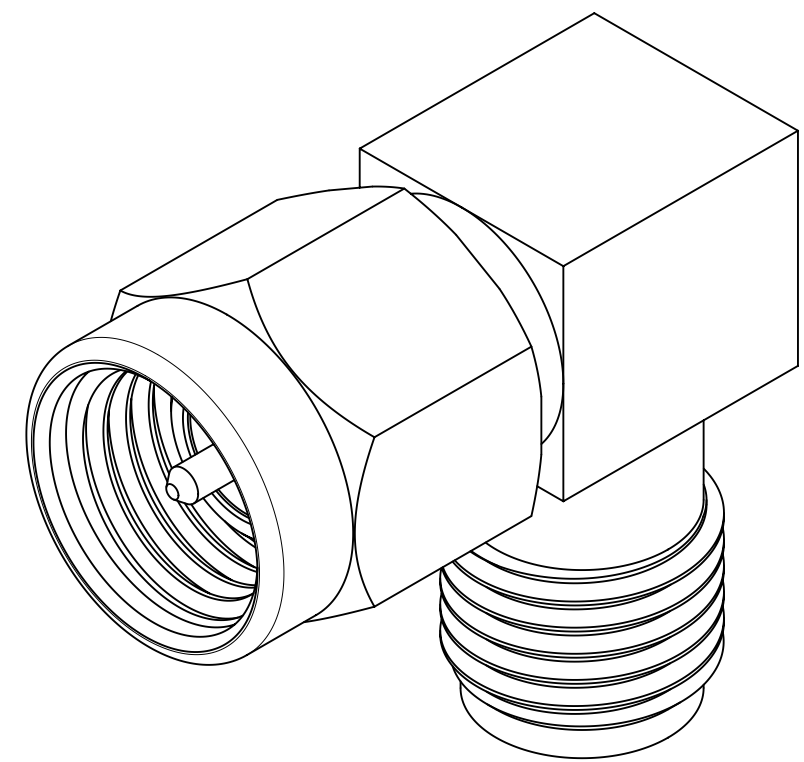
BODY, COUPLING NUT & CAP: STAINLESS STEEL
PASSIVATED

CENTER CONTACTS: BERYLLIUM COPPER
PLATED GOLD (30μ-in MIN)

INSULATORS: PTFE

GASKET: SILICONE RUBBER

SNAP RING: BERRYLLIUM COPPER



PACKAGING: TRAY
PART # 73251-0303

MIL-STD-348B, FIG. 310.1	SMA PLUG INTERFACE
MIL-STD-348B, FIG. 310.2	SMA JACK INTERFACE
SPECIFICATION	DESCRIPTION

QUALITY SYMBOLS ▽ = 0 ▽ = 0 ▽ = 0 ▽ = 0 ▽ = 0 ▽ = 0 ▽ = 0 ▽ = 0 ▽ = 0 ▽ = 0		THIS DRAWING CONTAINS INFORMATION THAT IS PROPRIETARY TO MOLEX ELECTRONIC TECHNOLOGIES, LLC AND SHOULD NOT BE USED WITHOUT WRITTEN PERMISSION		DIMENSION UNITS INCH		SCALE NTS				
MIGRATED EC NO: 168537 DRWN: LIMEIER CHKD: SSSHAH REV / APPR: AROBERTSON		GENERAL TOLERANCES (UNLESS SPECIFIED) MM INCH 4 PLACES ± ± 3 PLACES ± ± 0.025 2 PLACES ± 0.1 ± 1 PLACES ± ± 0 PLACES ± ±		DRWN BY EDC		DATE 1998/01/06				
EC NO: 168537 DRWN: LIMEIER CHKD: SSSHAH REV / APPR: AROBERTSON		ANGULAR TOL = 2.0		CHK'D BY DHG		DATE 1998/01/06		PRODUCT CUSTOMER DRAWING		
EC NO: 168537 DRWN: LIMEIER CHKD: SSSHAH REV / APPR: AROBERTSON		DRAFT WHERE APPLICABLE MUST REMAIN WITHIN DIMENSIONS		APPR BY GMH		DATE 1998/01/06				
EC NO: 168537 DRWN: LIMEIER CHKD: SSSHAH REV / APPR: AROBERTSON		DRAFT WHERE APPLICABLE MUST REMAIN WITHIN DIMENSIONS		DRAWING SIZE C		THIRD ANGLE PROJECTION		DOCUMENT NUMBER: SD-73251-030 DOC TYPE: PSD DOC PART: 001 SHEET NUMBER: 1 OF 1		