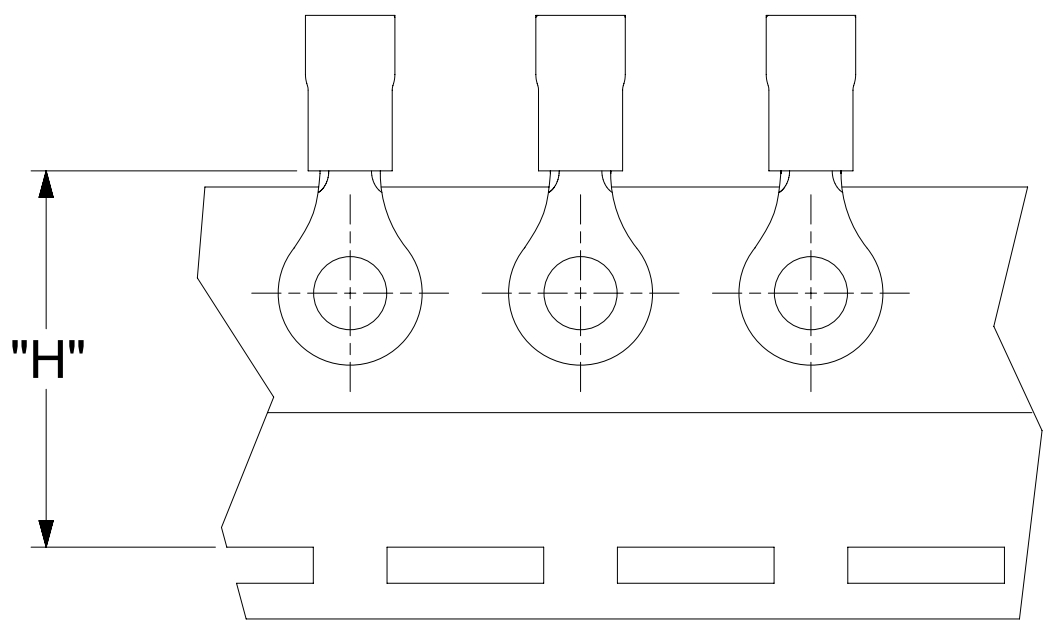
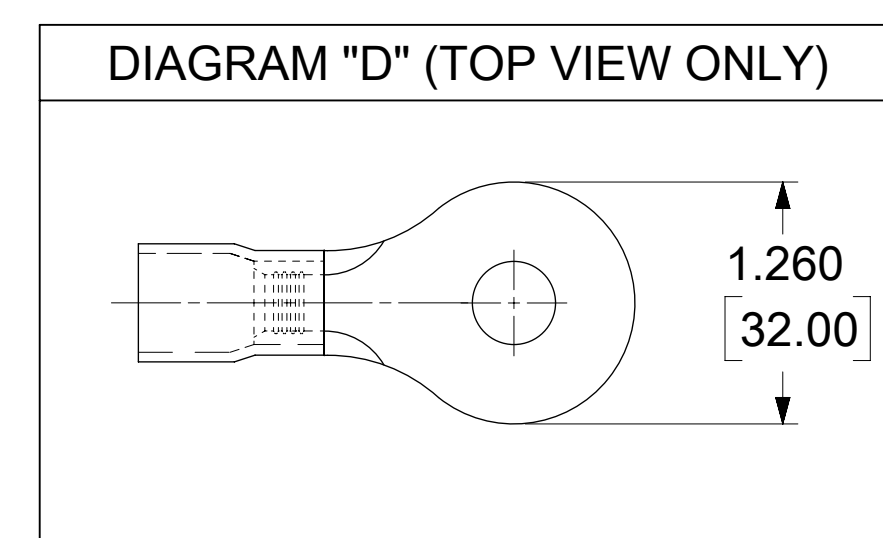
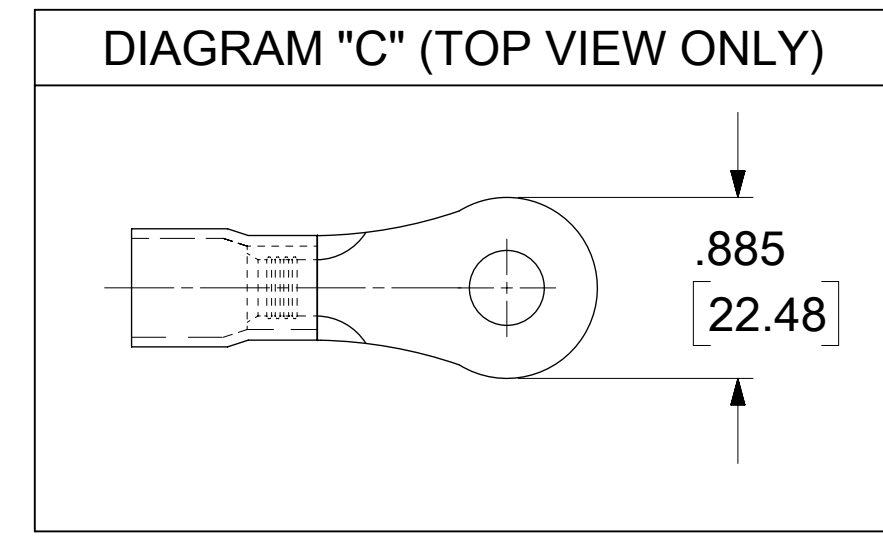
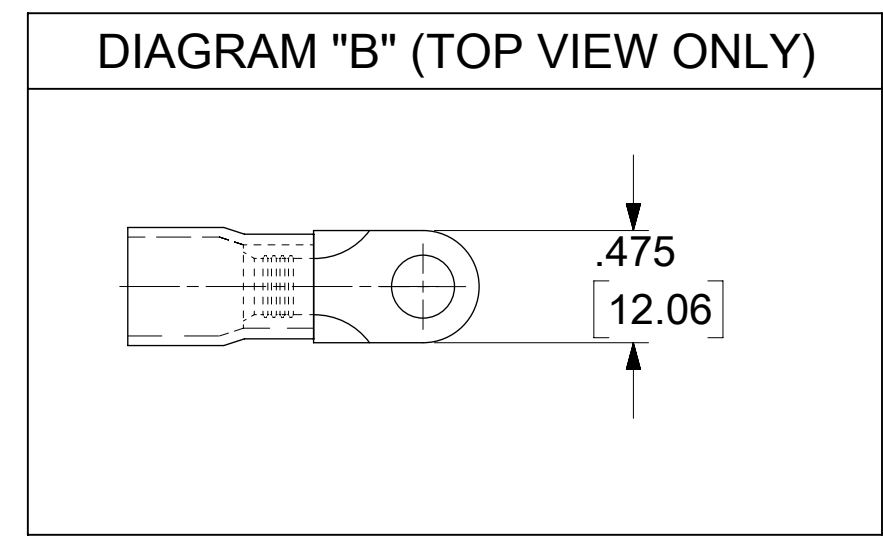
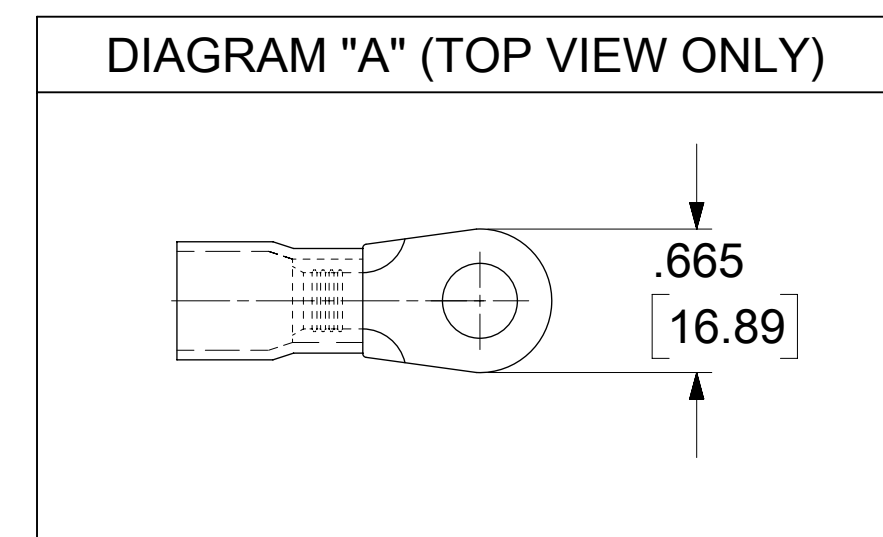
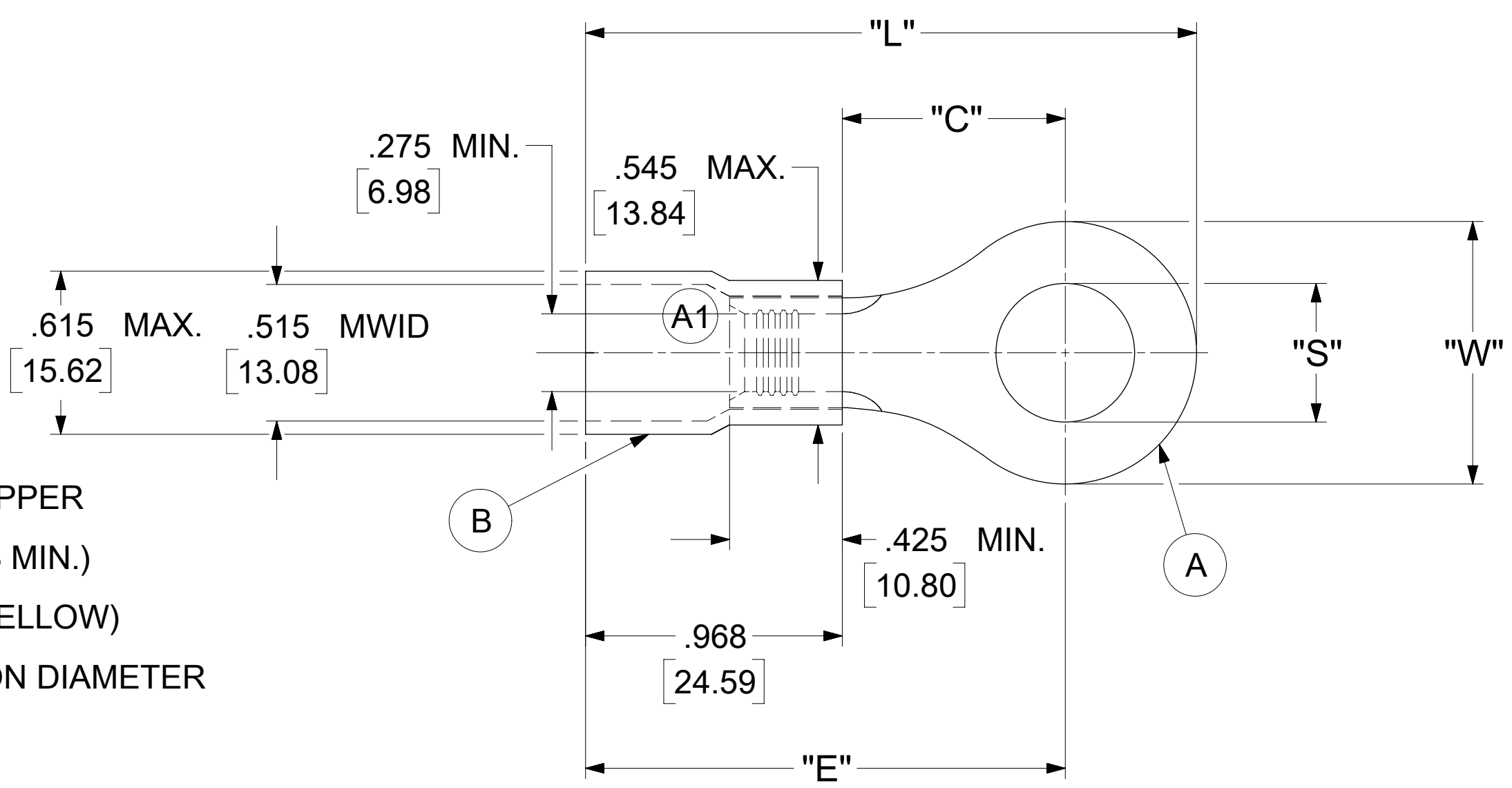


LOOSE PIECE		TAPE MOUNTED		SPECIFICATIONS								
MATERIAL NUMBER	ENGINEERING NUMBER	MATERIAL NUMBER	ENGINEERING NUMBER	STUD SIZE	"S" ±.005 [0.13]	"W" ±.010 [0.25]	"C" MIN.	"E" MAX.	"L" MAX.	"H"	STOCK THK (REF) (A1)	DIAGRAM
190710231	F-666-10X	---	---	10	.198 [5.03]	.665 [16.89]	.520 [13.21]	1.534 [38.96]	1.846 [46.89]	1.200 [30.48]	.067 [1.70]	"A"
190710234	F-666-12X	---	---	12	.515 [13.08]							
190710237	F-666-14X	---	---	14	.265 [6.73]							
190710240	F-666-38X	190710379	F-666-38XT	38	.390 [9.91]							
190710243	F-666-56X	190710246	F-666-56X	56	.328 [8.33]							
190710247	F-666-76X	---	---	76	.453 [11.51]							
190710250	F-667-10X	190710252	F-667-10XT	10	.198 [5.03]	.475 [12.07]	.520 [13.21]	1.534 [38.96]	1.756 [44.60]	1.200 [30.48]	.067 [1.70]	"B"
190710253	F-667-14X	190710254	F-667-14XT	14	.265 [6.73]							
---	---	---	---	56	.328 [8.33]							
---	---	---	---	12	.515 [13.08]	.885 [22.48]	.989 [25.12]	2.003 [50.88]	2.412 [61.27]	---	.075 [1.91]	"C"
---	---	---	---	14	.265 [6.73]							
---	---	---	---	38	.390 [9.91]							
---	---	---	---	56	.328 [8.33]							
---	---	---	---	58	.656 [16.67]							
---	---	---	---	76	.453 [11.51]							
---	---	---	---	12	.515 [13.08]	1.260 [32.00]	.989 [25.12]	2.003 [50.88]	2.599 [66.01]	---	.075 [1.91]	"D"
---	---	---	---	14	.265 [6.73]							
---	---	---	---	34	.781 [19.84]							
---	---	---	---	38	.390 [9.91]							
---	---	---	---	56	.328 [8.33]							
190710270	F-670-58X	---	---	58	.656 [16.67]	.453 [11.51]						
---	---	---	---	76								



PARTS ON TAPE



- NOTES:
- MATERIAL:
    - (A). RING TONGUE TERMINAL: COPPER
    - PLATING: ELECTRO-TIN (.0003 MIN.)
    - (B). INSULATION: MOLDED PVC (YELLOW)
  - MWID: MAXIMUM WIRE INSULATION DIAMETER
  - WIRE SIZE: 4 AWG  
25 MM<sup>2</sup>
  - "UL" LISTING #E32244  
"CSA" LISTING #18689
  - ALL DIMENSIONS IN INCHES/[MM].
  - PARTS ARE RoHS COMPLIANT.
  - DIMS. SHOWN ARE FOR REFERENCE ONLY.

SYMBOLS	THIS DRAWING CONTAINS INFORMATION THAT IS PROPRIETARY TO MOLEX ELECTRONIC TECHNOLOGIES, LLC AND SHOULD NOT BE USED WITHOUT WRITTEN PERMISSION												
	DIMENSION UNITS	SCALE		CURRENT REV DESC: DWG ERROR. FIXED INSUL. PROFILE									
▽ = 0	INCH/MM	NTS											
▽ = 0	GENERAL TOLERANCES (UNLESS SPECIFIED)												
▽ = 0		MM	INCH										
▽ = 0	4 PLACES	±	±	EC NO: 647871									
▽ = 0	3 PLACES	±	± 0.005	DRWN: DMYRICK 2020/10/27									
▽ = 0	2 PLACES	±	± 0.13 ± 0.01	CHK'D: KBURROUGHS 2020/10/27									
▽ = 0	1 PLACE	±	± 0.25	APPR: KBURROUGHS 2020/10/27									
▽ = 0	0 PLACES	±	±	INITIAL REVISION:									
☒ = 0	ANGULAR TOL ± °			DRWN: JTK 1970/01/21									
■ = 0	DRAFT WHERE APPLICABLE MUST REMAIN WITHIN DIMENSIONS			APPR: JMACNEIL 2019/07/10									
▽ = 0	THIRD ANGLE PROJECTION		DRAWING		SERIES		MATERIAL NUMBER			CUSTOMER		SHEET NUMBER	
			D-SIZE		19071		SEE TABLE		GENERAL MARKET		1 OF 1		