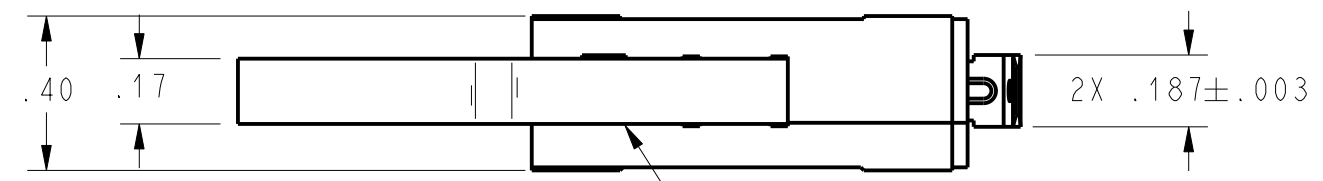
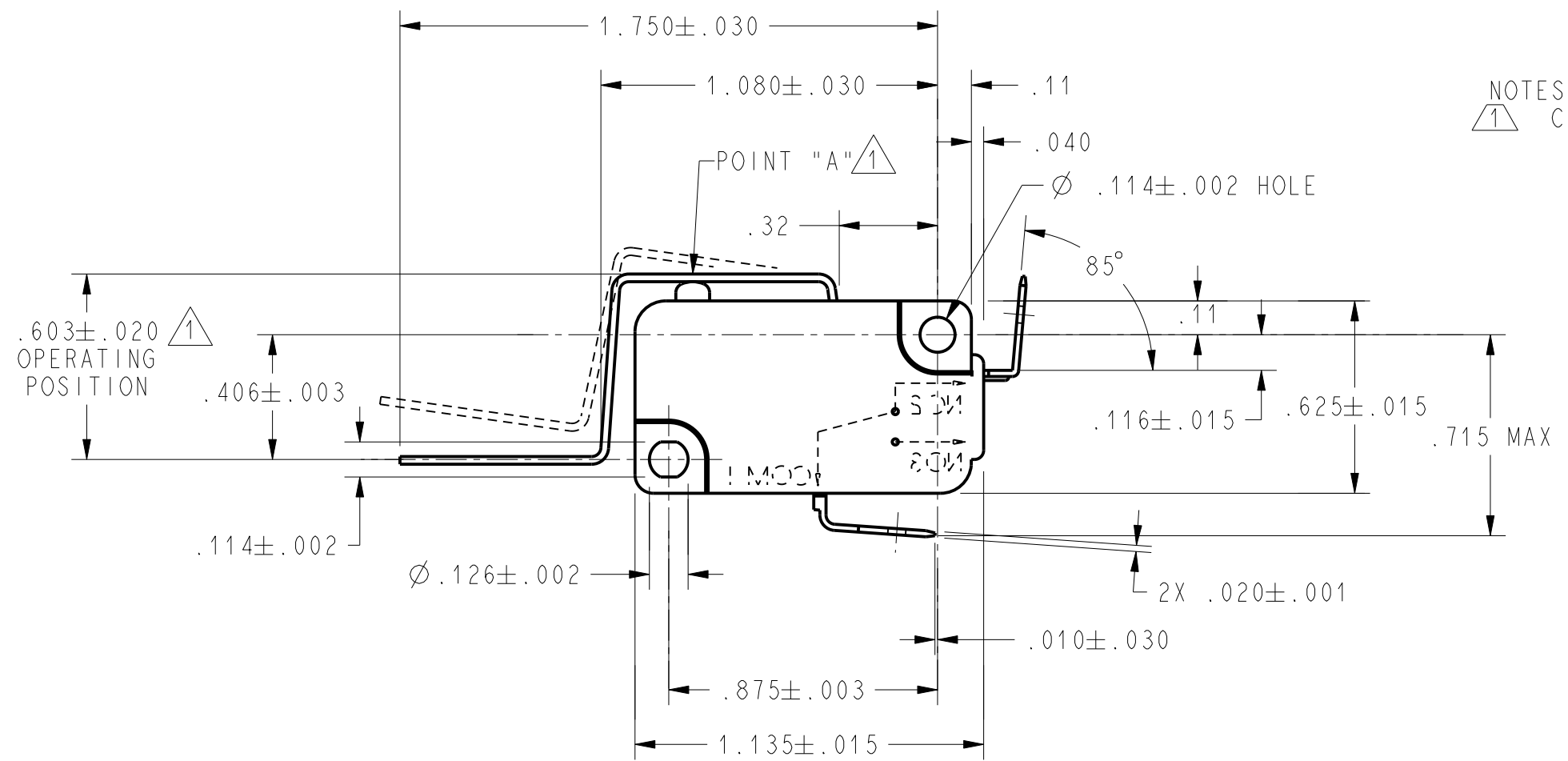


CW-C6141

| REV | DOCUMENT | CHANGED BY  | CHECK |
|-----|----------|-------------|-------|
| A   | 0002896  | WJC 12JAN04 | MDM   |
| B   | 0003044  | WJC 19JAN04 | MDM   |



CORROSION RESISTANT  
STEEL ACTUATOR



NOTES  
1 CHARACTERISTICS MEASURED AT POINT "A"

| CHARACTERISTICS          |               |
|--------------------------|---------------|
| OPERATING FORCE-----     | 273 GRAMS MAX |
| RELEASE FORCE-----       | 45 GRAMS MIN  |
| DIFFERENTIAL TRAVEL----- | .012 MAX      |
| OVERTRAVEL-----          | .032 MIN      |
| RELEASE TRAVEL-----      | .007 MIN      |

| ELECTRICAL DATA   |  |
|---|--|
| CONTACT ARRANGEMENT<br>S P N C  |  |
| L156<br>11A 1/3HP 125, 250 OR 277 VAC<br>1/2A 125 VDC, 1/4A 250 VDC<br>4A 125 VAC "L" |  |

| UNLESS OTHERWISE SPECIFIED TOLERANCES ARE: |   |   |       |
|--|---|---|-------|
|  | <input checked="" type="checkbox"/> US (inch) CUSTOMARY | <input type="checkbox"/> SI (mm) METRIC |       |
| NO PLACE                                   | X   | ±.040                                   | ±1    |
| ONE PLACE                                  | .X  | ±.030                                   | ±0,4  |
| TWO PLACE                                  | .XX   | ±.015                                   | ±0,15 |
| THREE PLACE                                | .XXX  | ±.005                                   | ±     |
| ANGLES                                     |   | ±                                       | ±     |
| RAW MATERIAL-COMMERCIAL STANDARD           |   |   |       |
| THIRD ANGLE PROJECTION                     |   |   |       |

|  |                  |         |
|--|------------------|---------|
| DRAWN  | WJC              | 12JAN04 |
| CHECK  | MDM              | 12JAN04 |
| THIS DRAWING COVERS A PROPRIETARY ITEM AND IS THE PROPERTY OF HONEYWELL. THIS DRAWING IS NOT TO BE COPIED OR USED WITHOUT THE PERMISSION OF HONEYWELL. |                  |         |
| DIMENSIONS ARE TO BE MET BEFORE PROTECTIVE COATINGS ARE APPLIED  |                  |         |
| PTC 2D   | ASME Y14.5M-1994 |         |

|                               |          |                          |              |
|-------------------------------|----------|--------------------------|--------------|
| <b>Honeywell</b>              |          |                          |              |
| TITLE<br><b>SWITCH, BASIC</b> |          |                          |              |
| SIZE                          | DWG TYPE | DRAWING NAME             | REV          |
| <b>B</b>                      | <b>I</b> | <b>V7-7B37D8C4-732-1</b> | <b>B</b>     |
| SCALE 2 : 1                   |          | WEIGHT                   | SHEET 1 OF 1 |