

Customer Information Sheet

DRAWING No.: M50-311XX42

SHEET 2 OF 2

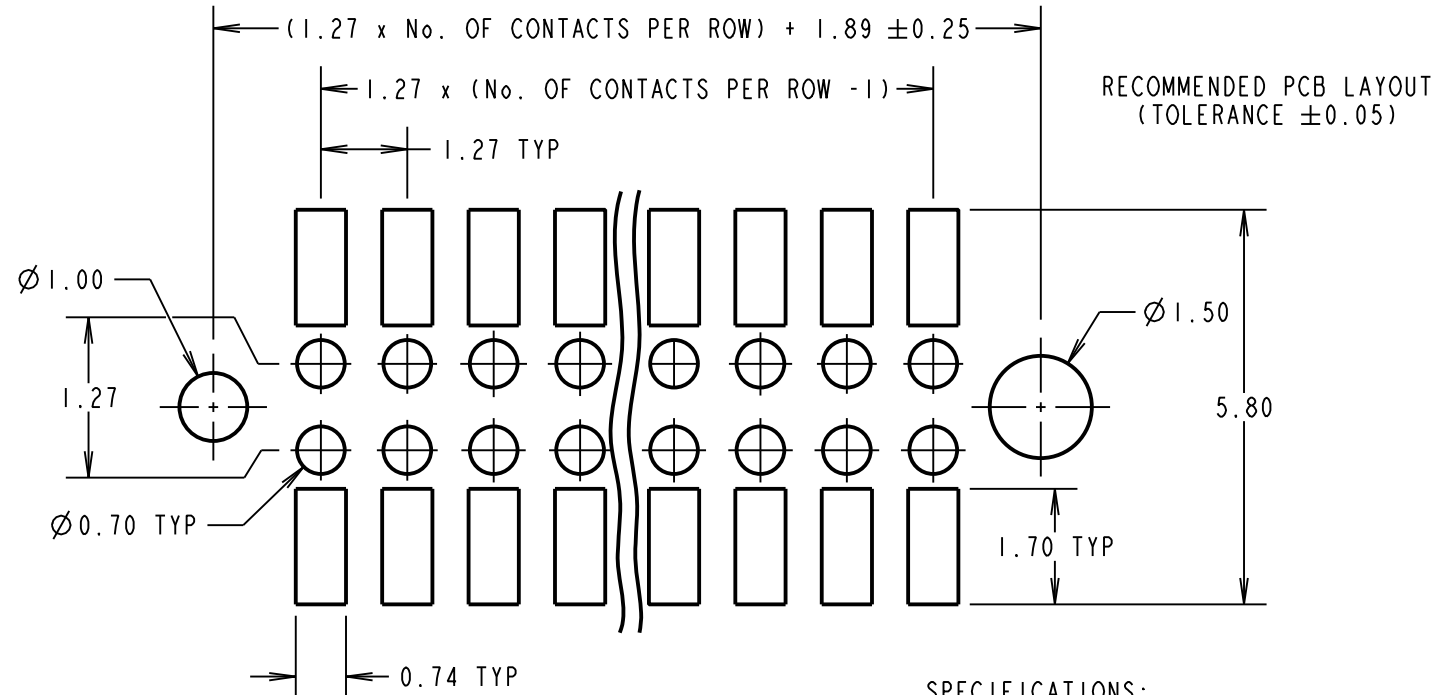
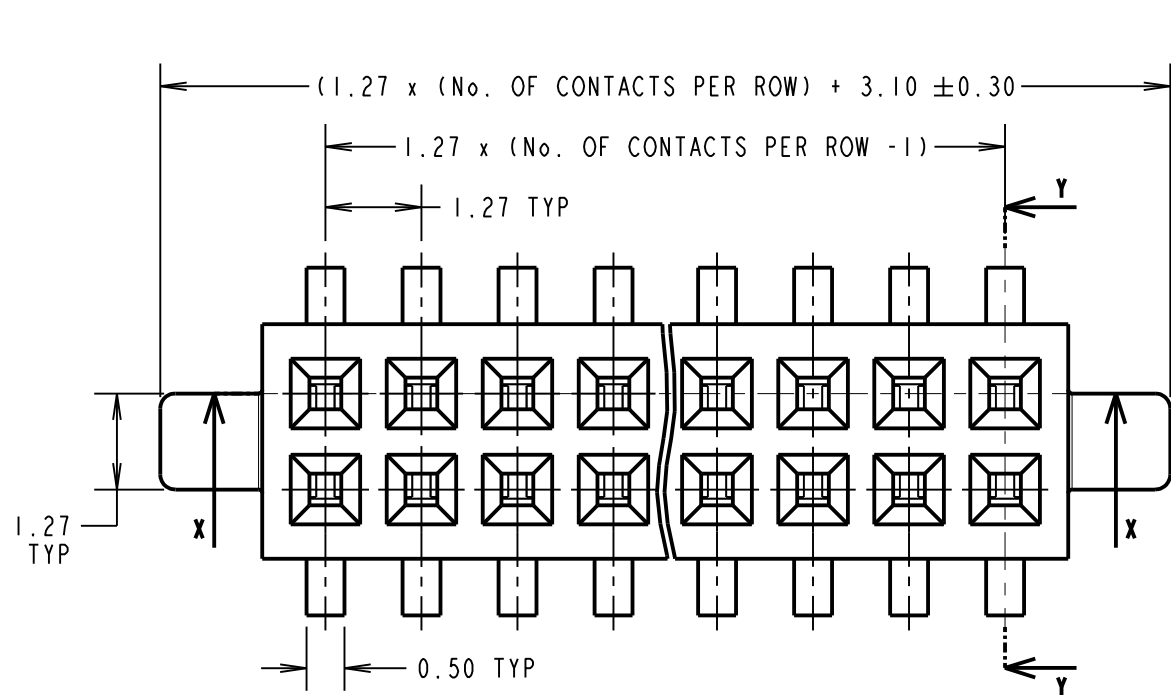
IF IN DOUBT - ASK

©

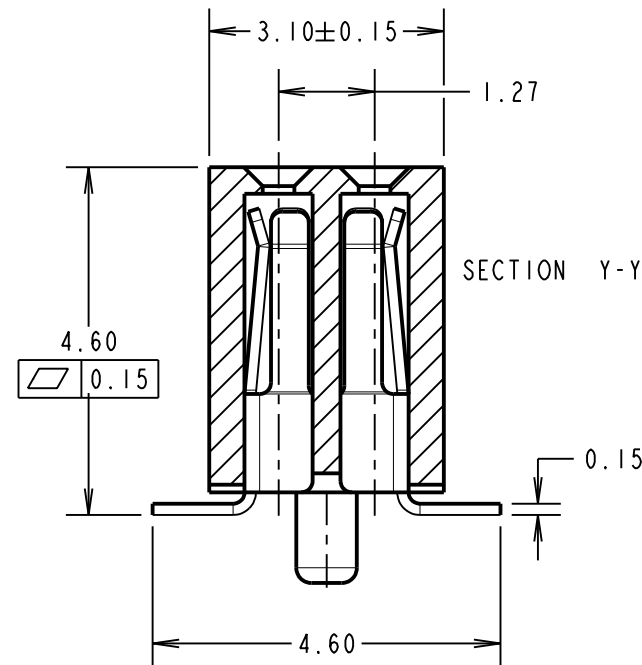
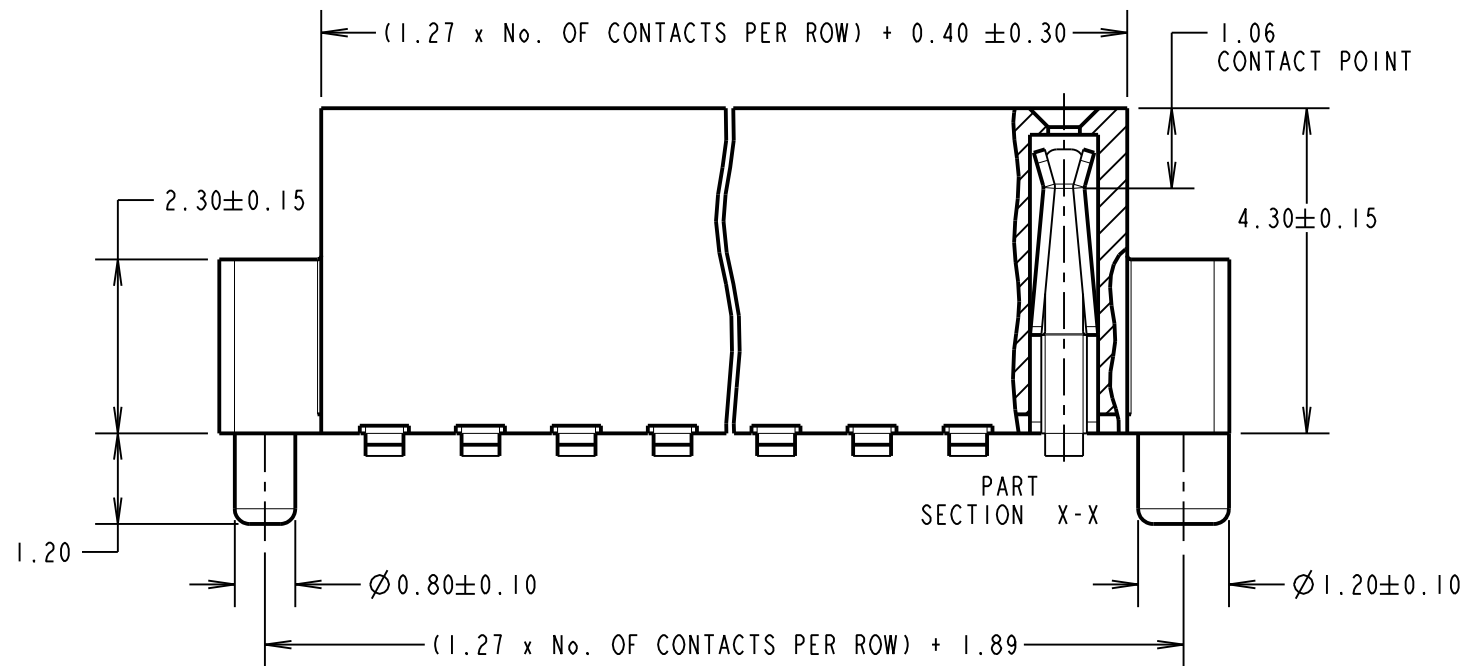
NOT TO SCALE

THIRD ANGLE PROJECTION

ALL DIMENSIONS IN mm



SPECIFICATIONS:
MATERIAL:
 MOULDING = PA9T, UL94V-0, BLACK
 CONTACT = PHOSPHOR BRONZE
FINISH:
 CONTACT = NICKEL ALL OVER,
 GOLD FLASH ON CONTACT AREA,
 100% TIN ON TAILS
ELECTRICAL:
 CURRENT RATING = 1A
 VOLTAGE PROOF = 500V AC FOR ONE MINUTE
 CONTACT RESISTANCE = $20\text{m}\Omega$ MAX INITIAL,
 $30\text{m}\Omega$ MAX AFTER CONDITIONING
 INSULATION RESISTANCE = $1,000\text{M}\Omega$ MIN
 VOLTAGE PROOF = 500V AC/DC
MECHANICAL:
 DURABILITY = 300 CYCLES MIN
 INSERTION FORCE = 0.98N MAX PER CONTACT
 WITHDRAWAL FORCE = 0.12N MIN PER CONTACT
ENVIRONMENTAL:
 OPERATING TEMPERATURE = -40°C TO $+105^\circ\text{C}$
PACKING:
 TUBE
 FOR COMPLETE SPECIFICATION, SEE COMPONENT SPECIFICATION C029XX (LATEST ISSUE)



Active products:
 M50-3110542
 M50-3111042
 M50-3112542
 M50-3113042

ORDER CODE:
M50-311XX42
 No. OF CONTACTS PER ROW: 03 TO 50
 FINISH: GOLD FLASH ON CONTACTS, 100% TIN ON TAIL

OBSOLETE
 All other size/finish combinations not listed

HARWIN
 www.harwin.com
 technical@harwin.com

THIS DRAWING AND ANY INFORMATION OR DESCRIPTIVE MATTER SET OUT HEREON ARE CONFIDENTIAL AND COPYRIGHT PROPERTY OF THE HARWIN GROUP AND MUST NOT BE DISCLOSED, LOANED, COPIED OR USED FOR MANUFACTURING, TENDERING OR FOR ANY OTHER PURPOSE WITHOUT THEIR WRITTEN PERMISSION.

TOLERANCES
 $X = \pm 1\text{mm}$
 $X.X = \pm 0.50\text{mm}$
 $X.XX = \pm 0.10\text{mm}$
 $X.XXX = \pm 0.01\text{mm}$
 ANGLES = $\pm 5^\circ$
 UNLESS STATED

MATERIAL: SEE ABOVE
FINISH: SEE ABOVE
S/AREA: mm²

TITLE: 1.27mm PITCH DIL VERTICAL SMT SOCKET ASSY WITH POSTS
DRAWING NUMBER: M50-311XX42
 SHT 2 OF 2

NOTES:
 1. ALL TOLERANCES ARE ± 0.25 UNLESS OTHERWISE STATED.

SB	9	31.05.16	13323
NAME	ISS.	DATE	C/NOTE
APPROVED:		S.BENNETT	
CHECKED:		M.PERREN	
DRAWN:		S.BENNETT	
CUSTOMER REF.:			
ASSEMBLY DRG:			