

NOTES:

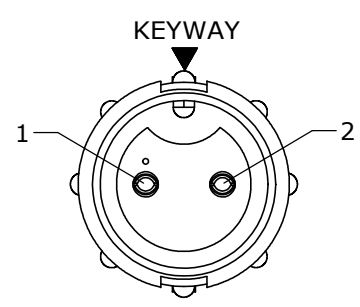
1. ALL PARTS ARE BULK PACKED
2. CONTACTS ARE INSTALLED INTO CONNECTOR
3. ALL DIMENSIONS ARE REFERENCE EXCEPT THOSE WITH A TOLERANCE

| ASSY P/N     | GROMMET SIZE  |
|--------------|---|
| 8282-XSG-513 | .148 GROMMET I.D. FOR CABLE OD .13-.15 [3.3-3.8mm]  |
| 8282-XSG-516 | .176 GROMMET I.D. FOR CABLE OD .16-.18 [4.1-4.6mm]  |
| 8282-XSG-519 | .206 GROMMET I.D. FOR CABLE OD .19-.21 [4.8-5.3mm]  |
| 8282-XSG-522 | .245 GROMMET I.D. FOR CABLE OD .22-.25 [5.6-6.4mm]  |
| 8282-XSG-526 | .265 GROMMET I.D. FOR CABLE OD .25-.27 [6.3-6.8mm]  |
| 8282-XSG-528 | .280 GROMMET I.D. FOR CABLE OD .26-.285 [6.6-7.2mm] |

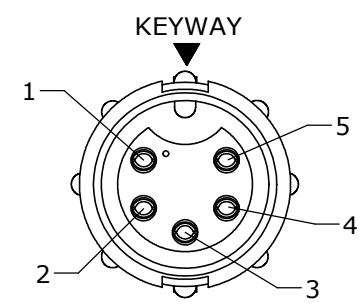
| KIT P/N      | NO. OF CONTACTS |
|--------------|-----------------|
| 8282-2SG-5XX | (2)-#20         |
| 8282-3SG-5XX | (3)-#20         |
| 8282-4SG-5XX | (4)-#20         |
| 8282-5SG-5XX | (5)-#20         |
| 8282-6SG-5XX | (6)-#20         |
| 8282-XSG-5XX |                 |

GROMMET SIZE  
NO. OF CONTACTS

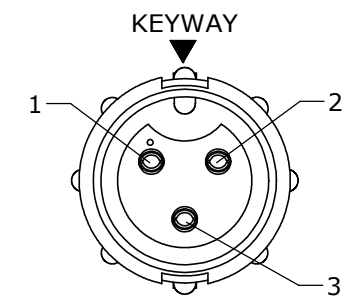
GROMMET SIZE  
NO. OF CONTACT



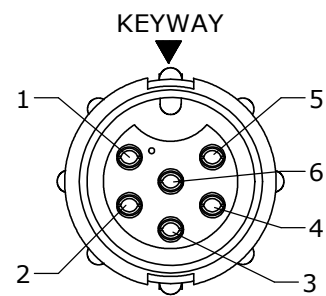
**FACE VIEW**  
8282-2SG-5XX



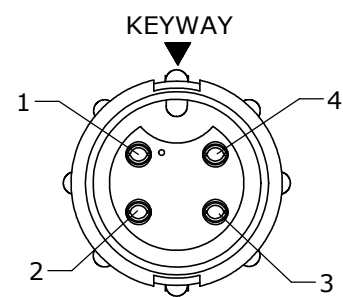
**FACE VIEW**  
8282-5SG-5XX



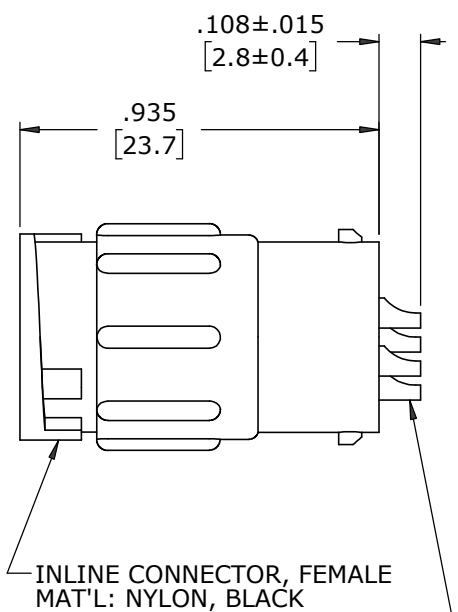
**FACE VIEW**  
8282-3SG-5XX



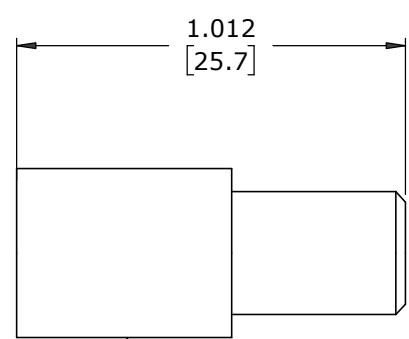
**FACE VIEW**  
8282-6SG-5XX



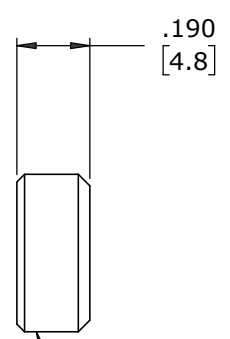
**FACE VIEW**  
8282-4SG-5XX



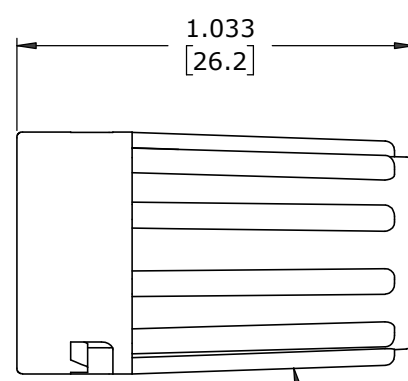
INLINE CONNECTOR, FEMALE  
MAT'L: NYLON, BLACK



GROMMET  
MAT'L: SANTOPRENE, BLACK

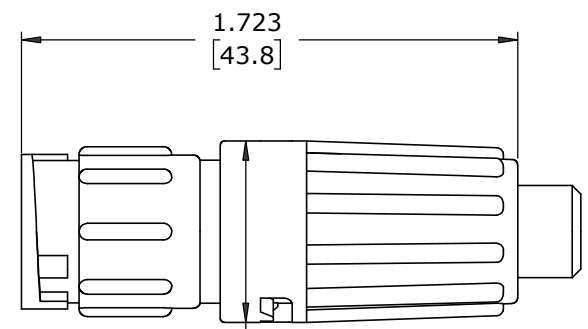


CABLE GRIP  
MAT'L: POLYPROPYLENE, BLACK



BACKSHELL  
MAT'L: NYLON, BLACK

(2-6) #20 SOCKET CONTACTS, SOLDER  
MAT'L: GOLD PLATED, COPPER ALLOY



**SHOWN ASSEMBLED KIT**  
FOR CUSTOMER REFERENCE ONLY

DIMENSIONS IN BRACKETS [ ] ARE IN MILLIMETERS

| CUSTOMER APPROVAL   |            |              |   |
|---|------------|--------------|---|
| B   | MA         | 02-22-21     | ADDED 8282-XSG-526 TO CHART PER ECR 9544  |
| A   | AN         | 05-11-17     | DRAWING CREATED PER DOR 17-E149SL #7  |
| REV.  | INIT.      | DATE         | DESCRIPTION   |
|   | AN         | 05-09-17     | ADDED 8282-XSG-526 TO CHART PER ECR 9544  |
| <p>ALL INFORMATION ILLUSTRATED IS THE PROPERTY OF CONXALL CORPORATION. UNAUTHORIZED REPRODUCTION, DISCLOSURE, OR USE OF THIS DOCUMENT /INFORMATION IS EXPRESSLY PROHIBITED UNLESS AUTHORIZED IN WRITING BY CONXALL CORPORATION.</p> |            |              |   |
| <p>APPROVED BY: _____</p> <p>DATE: _____</p>  |            |              |   |
| <p>ALL UNITS ARE IN FEET, INCHES, FRACTION OF INCHES AND DECIMALS.</p>  |            |              |   |
| SCALE   | SIZE       | SHEET        | <p>601 E. WILDWOOD VILLA PARK, IL 60181</p> <p>TITLE: CABLE TO CABLE CONN. ASSY (2-6) #20 SOCKET CONTACTS, SOLDER MINI-CON-X, LONG BACKSHELL STANDARD PRODUCT</p> |
| NTS   | B          | 1 OF 1       |   |
| FILE:   | DIRECTORY: | PART NUMBER: | REV   |
| 8282-XSG-5XX  | SLW        | 8282-XSG-5XX | B   |

**RoHS COMPLIANT**

CRITICAL CHARACTERISTIC FLAG PER SPEC. XXXX