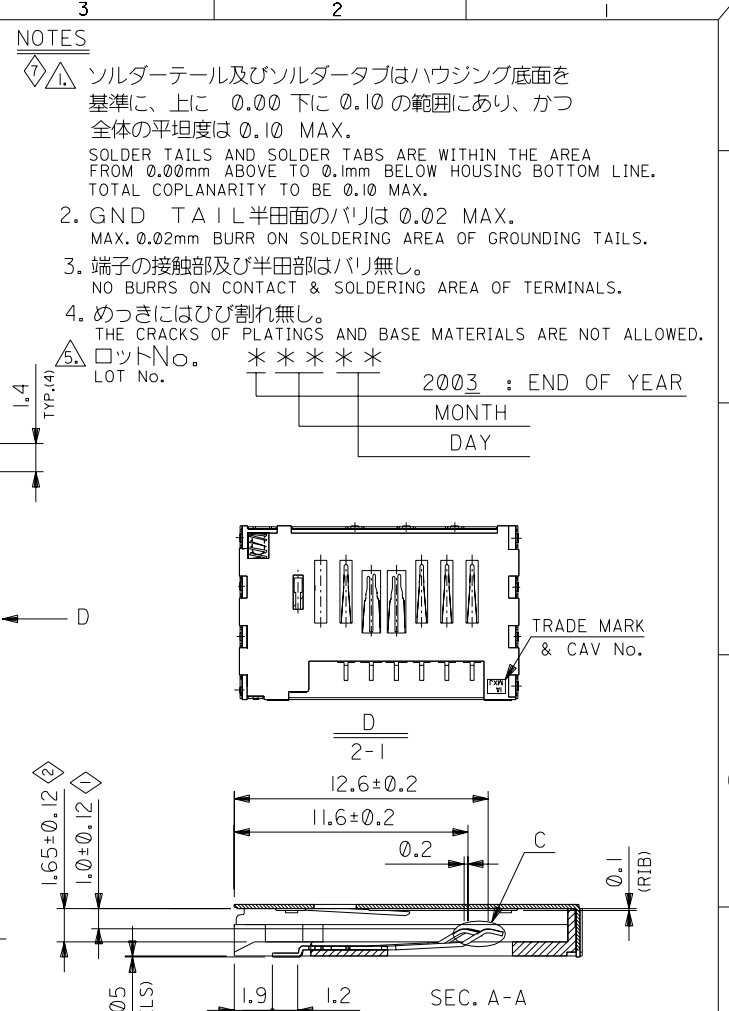
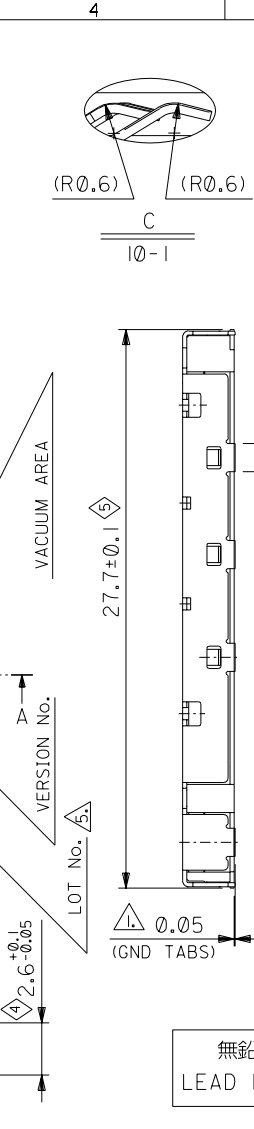
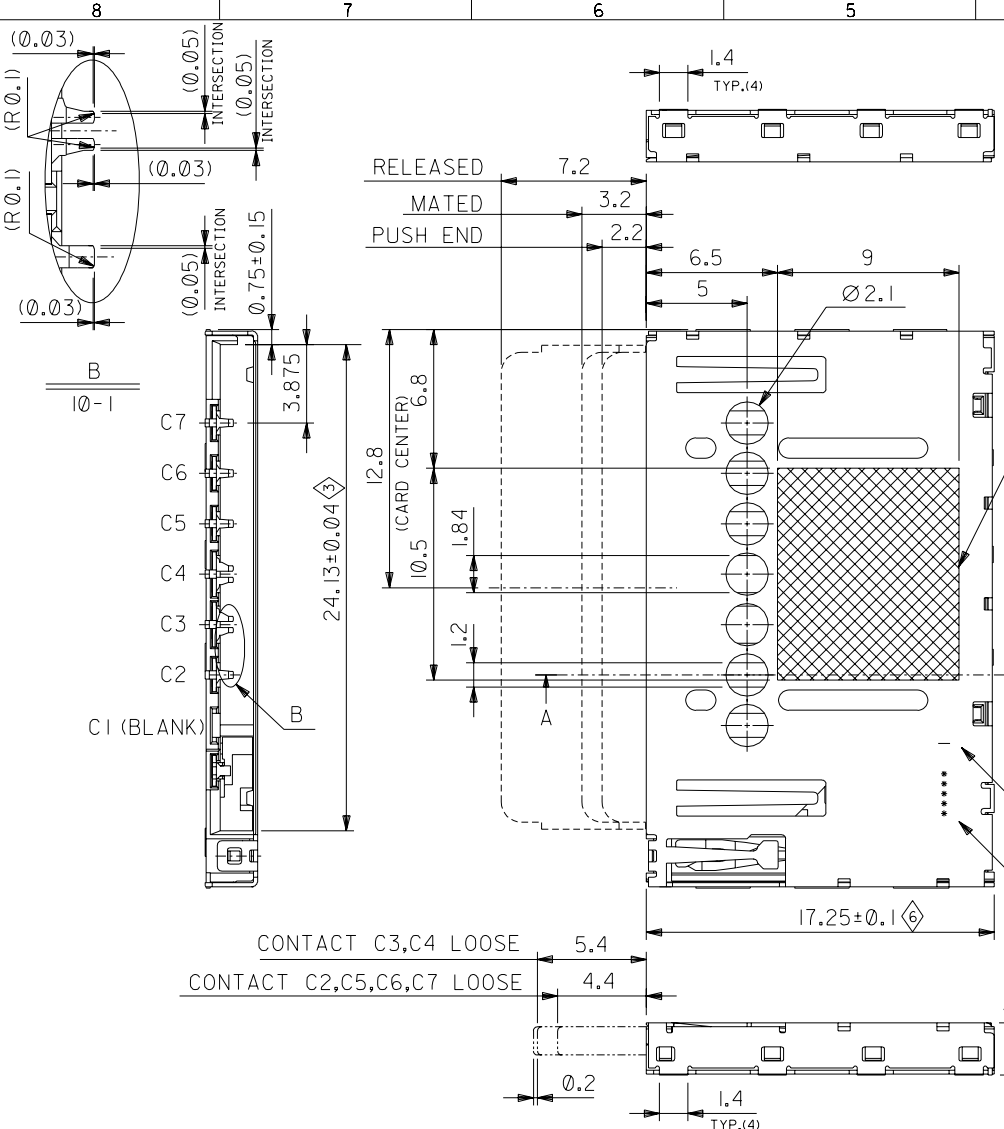


DWG. NO. SD-500850-001
 F
 D
 V
 C
 B
 DO NOT SCALE DRAWING



無鉛
 LEAD FREE

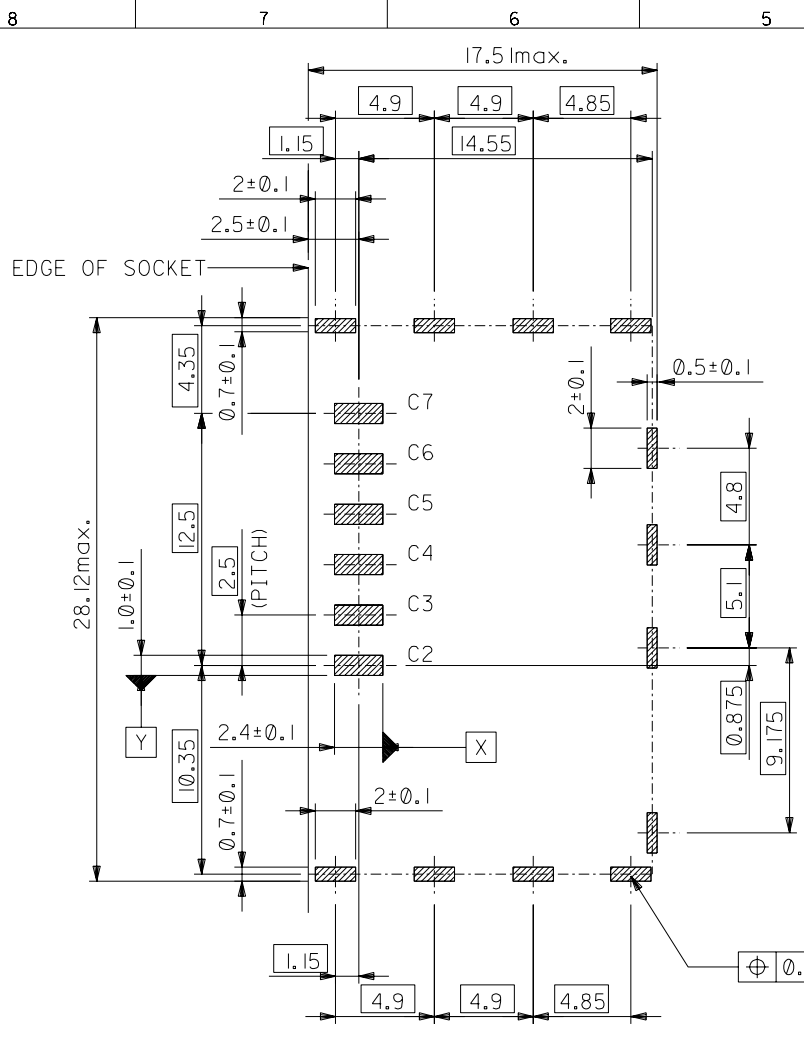
500850-0600	500850-0609
EMBOSSD ASS'Y	製品番号 MATERIAL No.

EC NO. DRWN: CH'K: APPR:	EC NO. DRWN: CH'K: APPR:	EC NO. DRWN: CH'K: APPR:	REVISED EC NO. J2004-1258 DRWN: H. TAKASE '03/11/26 CH'K: APPR: Y. ITO	PROPOSED EC NO. J2004-0480 DRWN: H. TAKASE '03/08/08 CH'K: APPR: Y. ITO	DESCRIPTION MATERIAL 材料 SEE CHART FINISH 仕上げ SEE CHART WIRE RANGE 適用線径範囲 INS. RANGE 被覆外径
-----------------------------	-----------------------------	-----------------------------	---	--	--

GENERAL TOLERANCES: (UNLESS SPECIFIED) 一般公差	SCALE 4-1	DESIGN UNITS <input checked="" type="checkbox"/> mm <input type="checkbox"/> INCH	THIRD ANGLE PROJECTION
10 UNDER 未満 ±0.2	DRAWN BY & DATE Y. Takase '03/08/08	TITLE: RS MMC SOCKET NORMAL TYPE HOUSING ASS'Y	
10 OVER 30 UNDER 未満 ±0.25	CHECKED BY & DATE	MATERIAL NO. SD-500850-001	
30 OVER 以上 ±0.3	APPROVED BY & DATE Y. Ito '03/08/08	DRAWING NO. SD-500850-001	SHEET NO. 1 OF 3
ANGLE 角度 ±3°	CAD FILENAME SD-500850-001.S01	THIS DRAWING CONTAINS INFORMATION THAT IS PROPRIETARY TO MOLEX INCORPORATED AND SHOULD NOT BE USED WITHOUT WRITTEN PERMISSION.	

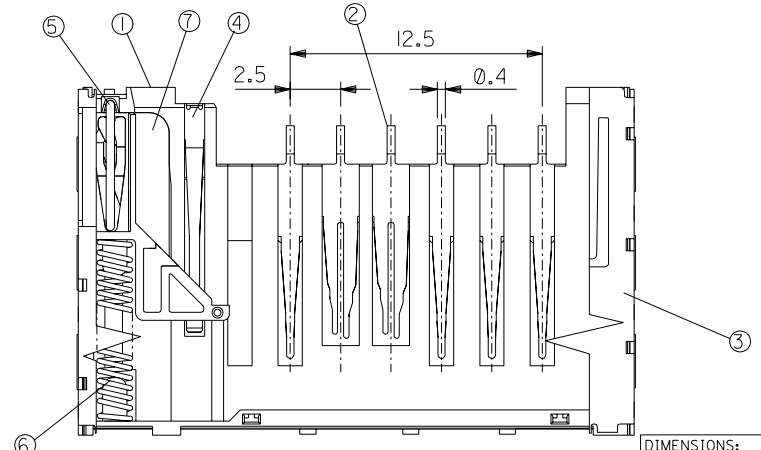
DIMENSIONS: <input type="checkbox"/> mm <input type="checkbox"/> INCH		SHT REV
MATERIAL NO. SD-500850-001		REVISE ON CAD ONLY
DRAWING NO. SD-500850-001		SIZE B

DWG. NO.
SD-500850-001



推奨基板寸法
RECOMMENDED P.C. BOARD LAYOUT

番号 No.	部品 PARTS	材質/仕上げ MATERIAL/REMARKS
①	ハウジング HOUSING	LCP, UL94V-0, 色:黒 LIQUID CRYSTAL POLYMER, UL94V-0, BLACK
②	ターミナル TERMINAL	銅合金(燐青銅 C5210R-EH, t=0.2) COPPER ALLOY (PHOSPHOR BRONZE C5210R-EH, t=0.2) めっき仕様 接点部:金めっき 0.6マイクロメートル以上 PLATING CONTACT: Au PLATING, 0.6 MICRO METER MINIMUM 半田付け部:錫合金めっき 3マイクロメートル以上 SOLDER: Sn ALLOY PLATING, 3 MICRO METER MINIMUM 下地めっき:ニッケルめっき 2マイクロメートル以上 UNDER PLATING: Ni PLATING, 2 MICRO METER MINIMUM
③	メタルカバー METAL SHELL	ステンレス鋼, t=0.2, STAINLESS STEEL (SUS304), t=0.2, SOLDERABILITY IMPROVEMENT COAT めっき仕様 下地めっき:ニッケルめっき 2マイクロメートル以上 PLATING UNDER PLATING: Ni PLATING, 2 MICRO METER MINIMUM 半田付け処理(金、パラジウムコート) SOLDERABILITY IMPROVEMENT COAT (Au & Pd COAT)
④	逆挿しロック INVERSE LOCK	ステンレス鋼, t=0.2 STAINLESS STEEL (SUS304), t=0.2
⑤	カムピン CAM PIN	ステンレス鋼 STAINLESS STEEL (SUS304)
⑥	スプリング COIL SPRING	ピアノ線, ニッケルめっき PIANO WIRE (SWP), NICKEL PLATING
⑦	スライドカム SLIDER CAM	LCP, UL94V-0, 色:黒 LIQUID CRYSTAL POLYMER, UL94V-0, BLACK



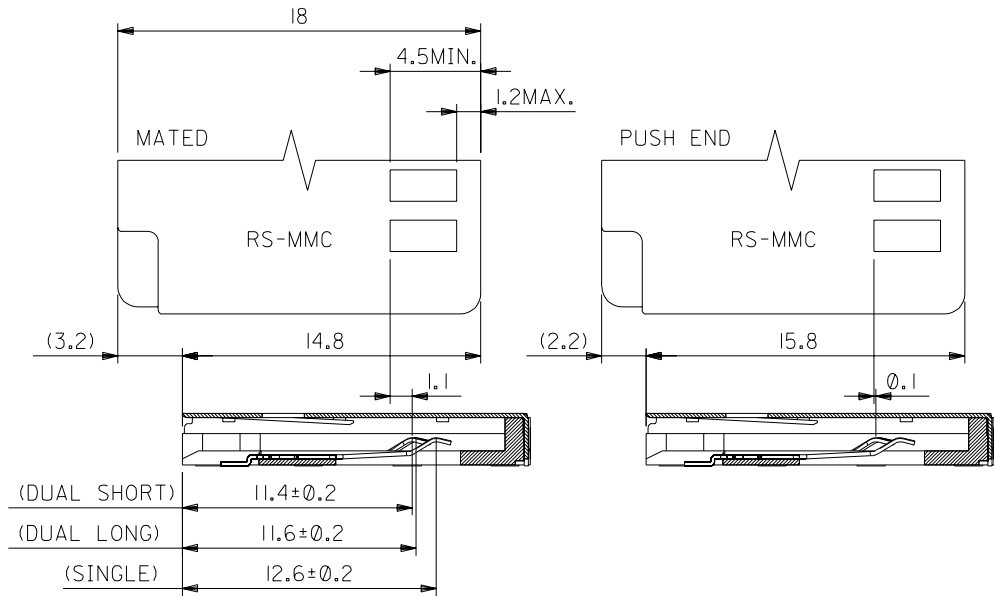
DO NOT SCALE DRAWING

EC NO. DRAWN: CHK'g: APPR:	EC NO. DRAWN: CHK'g: APPR:	EC NO. DRAWN: CHK'g: APPR:	REVISED EC NO. J2004-1258 DRWN:H.TAKASE 03/11/26 CHK'g: APPR: Y.IITO	PROPOSED EC NO. J2004-0480 DRWN:H.TAKASE 03/08/08 CHK'g: APPR: Y.IITO	DESCRIPTION	MATERIAL 材料 SEE CHART	FINISH 仕上げ SEE CHART	WIRE RANGE 適用線径範囲	INS. RANGE 被覆外径
A				0					

GENERAL TOLERANCES: (UNLESS SPECIFIED) 一般公差	SCALE 4:1	DESIGN UNITS mm □ INCH	THIRD ANGLE PROJECTION	DIMENSIONS: mm □ INCH mm □ INCH	SHT REVISE ON CAD ONLY	REV
10 UNDER 未滿	±0.2	DRAWN BY & DATE S. Takase 03/08/08	TITLE: RS MMC SOCKET NOMAL TYPE HOUSING ASS'Y			
10 OVER 以上	±0.25	CHECKED BY & DATE				
30 OVER 以上	±0.3	APPROVED BY & DATE Y.Ito 03/08/08	MOLEX MOLEX INCORPORATED			
ANGLE 角度	±3°	CAD FILENAME SD-500850-001.S02	MATERIAL NO. SEE TABLE	DRAWING NO. SD-500850-001	SHEET NO. 2 OF 3	
THIS DRAWING CONTAINS INFORMATION THAT IS PROPRIETARY TO MOLEX INCORPORATED AND SHOULD NOT BE USED WITHOUT WRITTEN PERMISSION.						SIZE B

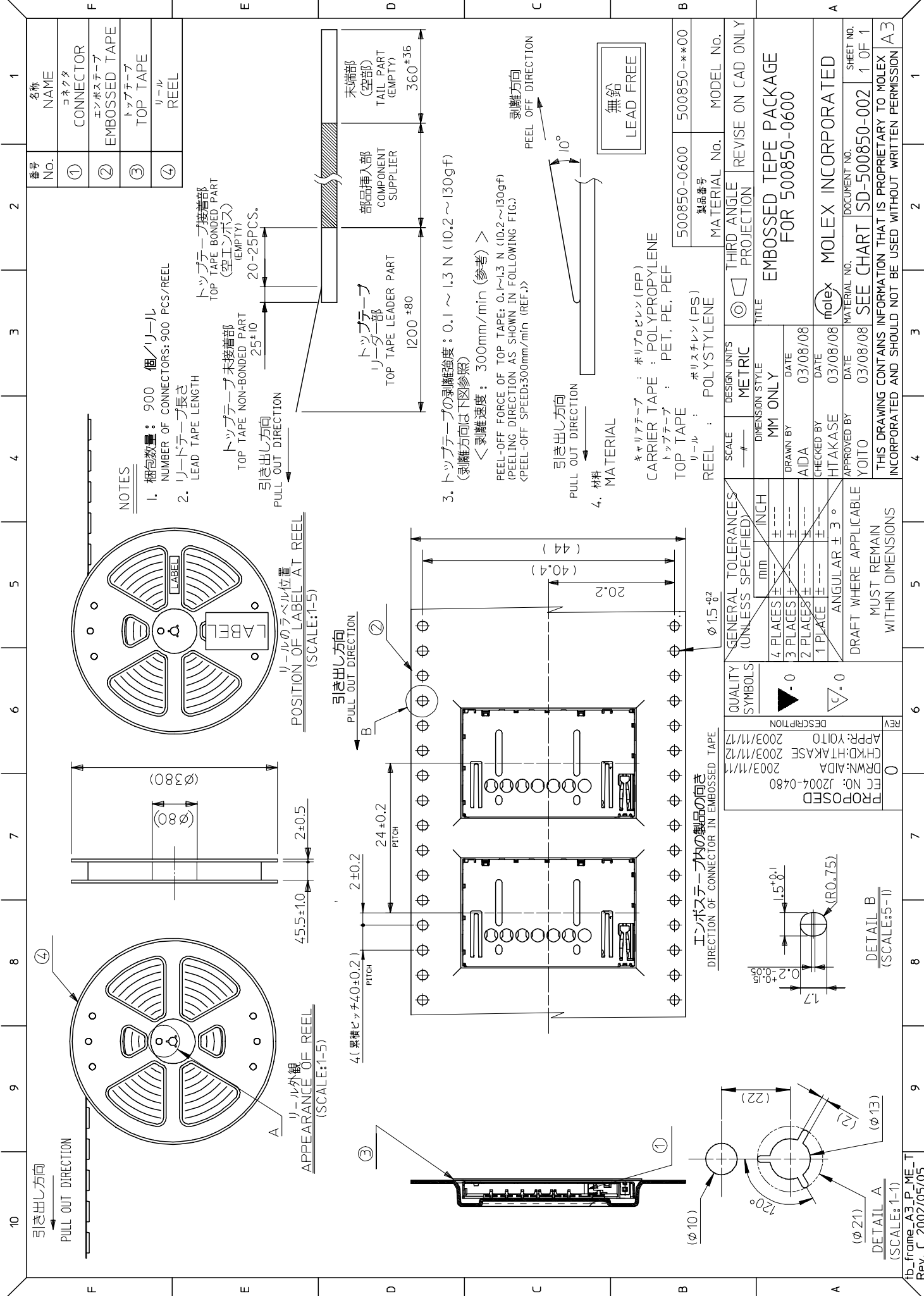
DWG. NO.
SD-500850-001

CONTACT POSITION ON CARD PAD



DO NOT SCALE DRAWING

EC NO. DRWN: CHK: APPR:	EC NO. DRWN: CHK: APPR:	EC NO. DRWN: CHK: APPR:	REVISED EC NO. JD2004-1258 DRWN:H.TAKASE '03/11/26 CHK: APPR: Y.IITO	PROPOSED EC NO. JD2004-0480 DRWN:H.TAKASE '03/08/08 CHK: APPR: Y.IITO	MATERIAL 材料	GENERAL TOLERANCES: (UNLESS SPECIFIED) 一般公差	SCALE 4-1	DESIGN UNITS <input checked="" type="checkbox"/> mm <input type="checkbox"/> INCH	<input checked="" type="checkbox"/> THIRD ANGLE <input type="checkbox"/> PROJECTION	DIMENSIONS: <input type="checkbox"/> mm <input type="checkbox"/> INCH <input checked="" type="checkbox"/> mm ONLY	SHT	REV
					SEE CHART	10 UNDER 未満	±0.2	DRAWN BY & DATE <i>S. Takase</i> '03/08/08	TITLE: RS MMC SOCKET NOMAL TYPE HOUSING ASS'Y	REVISION CAD ONLY		
A	0	A	A	0	FINISH 仕上り	10 OVER 30 UNDER 以上 未満	±0.25	CHECKED BY & DATE	MOLEX MOLEX INCORPORATED	MATERIAL NO. SEE TABLE	DRAWING NO. SD-500850-001	SHEET NO. 3 OF 3
					SEE CHART	30 OVER 以上	±0.3	APPROVED BY & DATE <i>Y.Ito</i> '03/08/08				
					WIRE RANGE 適用線径範囲	—	ANGLE 角度	±3°	THIS DRAWING CONTAINS INFORMATION THAT IS PROPRIETARY TO MOLEX INCORPORATED AND SHOULD NOT BE USED WITHOUT WRITTEN PERMISSION.			SIZE B



NOTES

- 梱包数量: 900 個/リール
NUMBER OF CONNECTORS: 900 PCS/REEL
- リードテープ長さ
LEAD TAPE LENGTH

トップテープ接着部
TOP TAPE BONDED PART (EMPTY)

トップテープ未接着部
(空エンボス)
TOP TAPE NON-BONDED PART (EMPTY)

20-25PCS.

25±10

引き出し方向
PULL OUT DIRECTION

リールのラベル位置
(SCALE:1-5)

リール外観
(SCALE:1-5)

4 (累積ヒッチ) 40±0.2

PITCH

2±0.2

24±0.2

PITCH

引き出し方向
PULL OUT DIRECTION

トップテープ
リーダ部
TOP TAPE LEADER PART

1200 ±80

部品挿入部
COMPONENT SUPPLIER

360 ±36

トップテープ接着部
TOP TAPE BONDED PART (EMPTY)

25±10

引き出し方向
PULL OUT DIRECTION

引き出し方向
PULL OUT DIRECTION

剥離方向
PEEL OFF DIRECTION

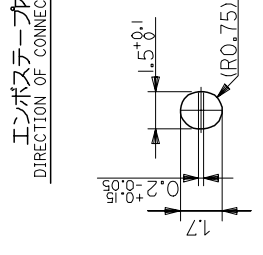
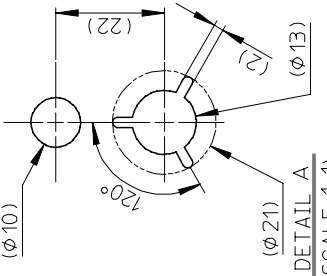
無鉛
LEAD FREE

キャリアテープ: ポリプロピレン (PP)
CARRIER TAPE: POLYPROPYLENE

トップテープ: PET, PE, PEF

リール: ポリスチレン (PS)
REEL: POLYSTYLENE

エンボスタープ内の製品の向き
DIRECTION OF CONNECTOR IN EMBOSSED TAPE



QUALITY SYMBOLS	DESCRIPTION	REV
▲ 0	PROPOSED ECN NO: 12004-0480 DRWN: AIDA CHKD: HTAKASE APPR: YOITO 2003/11/17	0
△ 0	REVISION	

GENERAL TOLERANCES (UNLESS SPECIFIED)	SCALE	DESIGN UNITS	THIRD ANGLE PROJECTION
4 PLACES ±	MM ONLY	METRIC	REVISION ON CAD ONLY
3 PLACES ±			
2 PLACES ±			
1 PLACE ±			
ANGULAR ± 3°			
DRAFT WHERE APPLICABLE MUST REMAIN WITHIN DIMENSIONS			

TITLE	DATE	DATE	DATE
EMBOSS TEPE PACKAGE FOR 500850-0600	03/08/08	03/08/08	03/08/08
DRAWN BY	AIDA	CHECKED BY	HTAKASE
APPROVED BY	YOITO	APPROVED BY	HTAKASE

MATERIAL No.	MODEL No.	DOCUMENT NO.	SHEET NO.
500850-0600	500850-**-00	MOLEX INCORPORATED	1 OF 1
製品番号		SEE CHART SD-500850-002	
THIS DRAWING CONTAINS INFORMATION THAT IS PROPRIETARY TO MOLEX INCORPORATED AND SHOULD NOT BE USED WITHOUT WRITTEN PERMISSION			