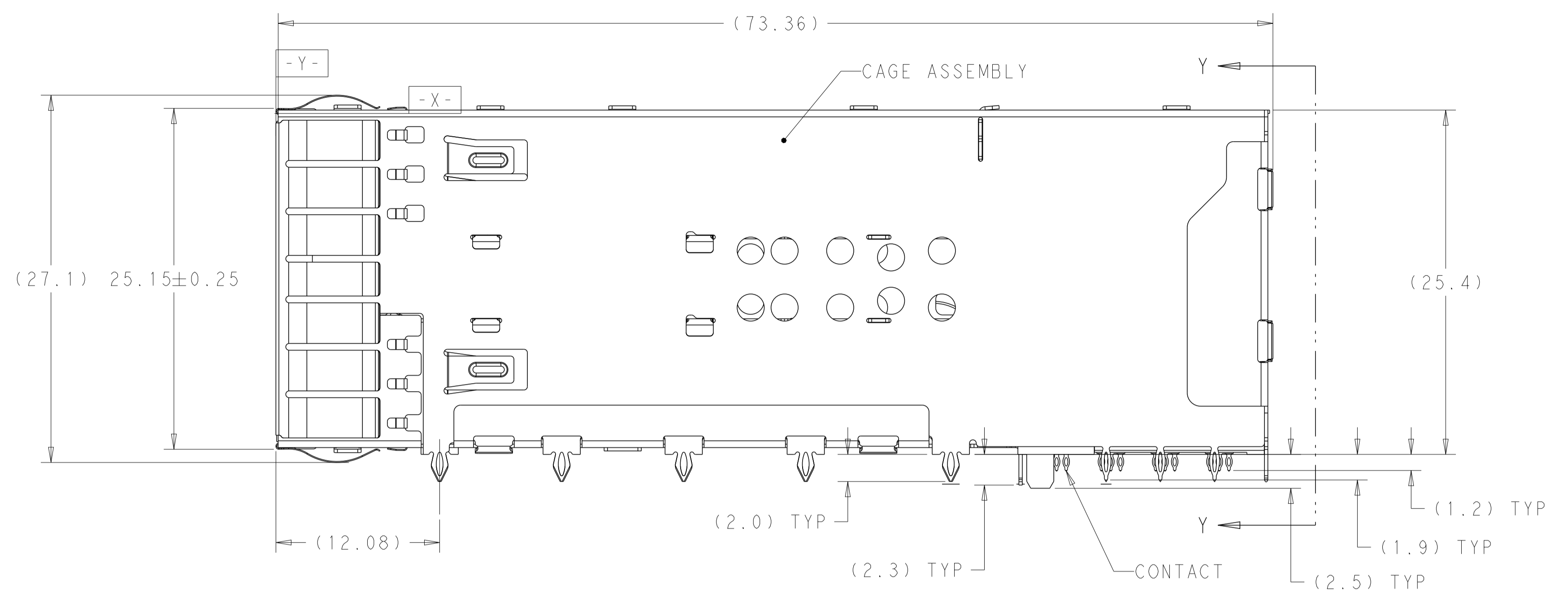
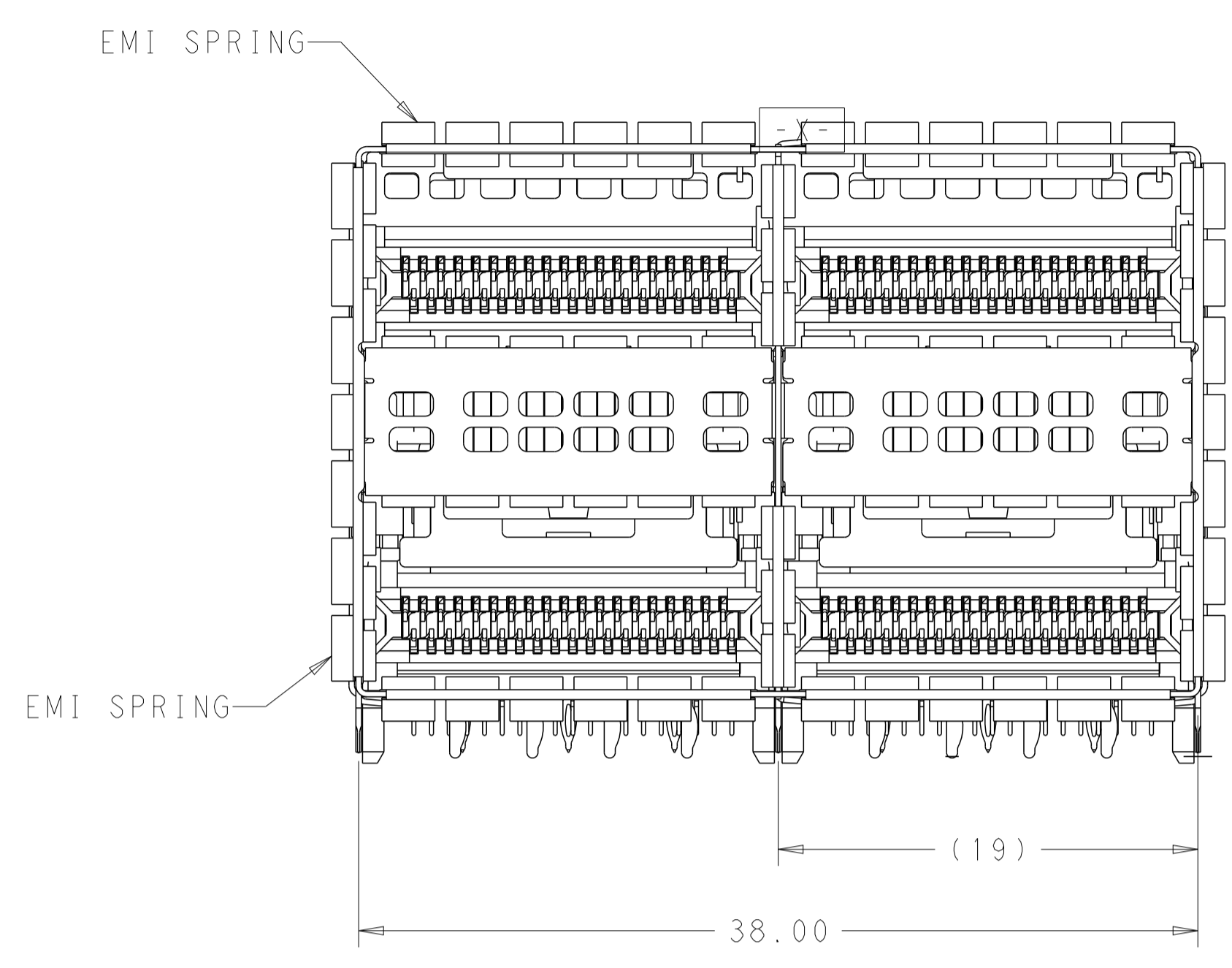
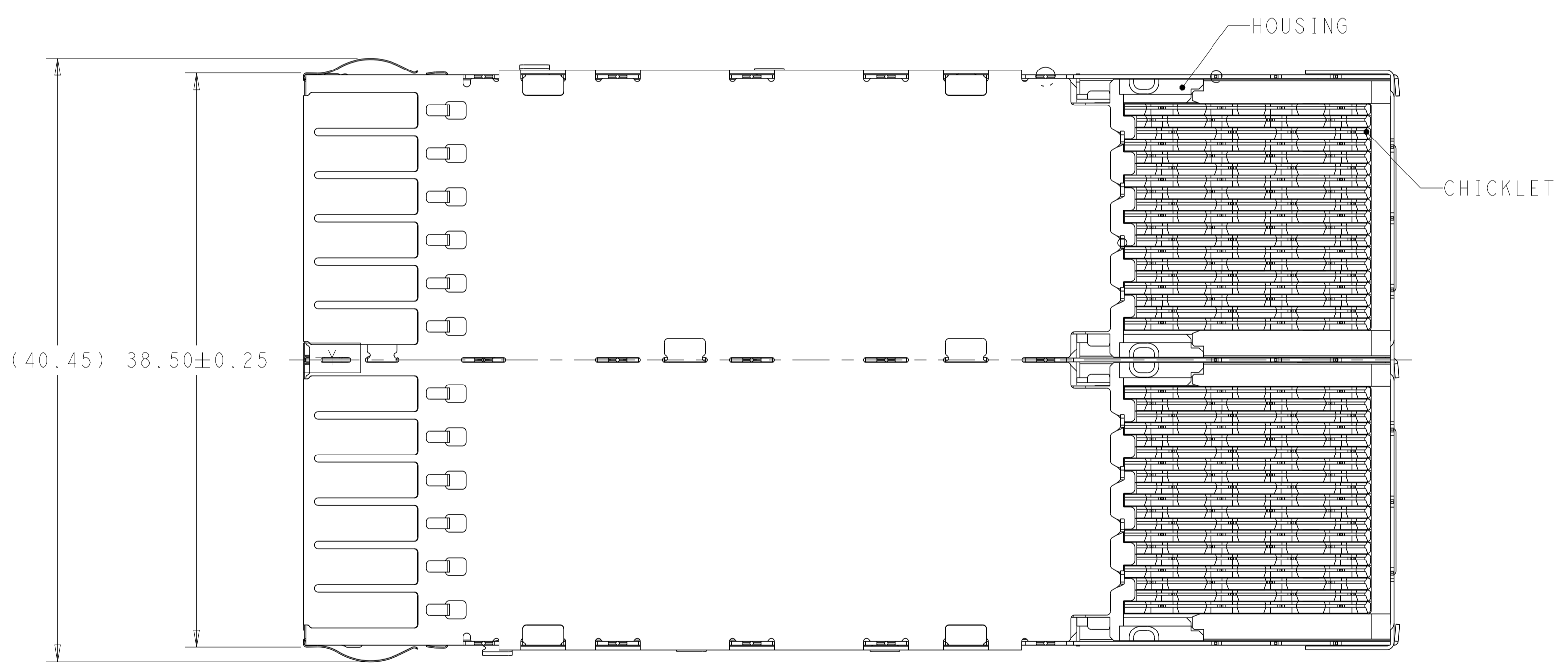


LOC	DIST	REVISIONS			
P	LTN	DESCRIPTION	DATE	DWN	APVD
A		RELEASED FOR PRODUCTION	03MAR2016	TX	SH
A1		ADDED NEW DASH NUMBER 2227670 -7	15JUL2016	TX	SH
B		REVISED PER ECO-16-014569	18OCT2016	TX	SH
B3		REVISED PER ECN-23-214734	26MAY2023	RY	SZ



2227670-1/4 AS SHOWN



- MATERIALS:
 CAGE ASSEMBLY- NICKEL SILVER ALLOY PER ASTM B 122.
 EMI SPRING- COPPER ALLOY, 0.20µm MIN NICKEL PLATED.
 HOUSING- POLYESTER LCP WITH 94V-0.
 CHICKLET- POLYESTER LCP WITH 94V-0.
 CONTACT- COPPER ALLOY.
 LIGHTPIPE- POLYCARBONATE WITH 94V-0.
- CONTACT FINISH: 0.76µm GOLD ON MATING END, 1.25µm MATT TIN ON SOLDER TAIL, ALL OVER 1.27µm NICKEL.
- DATUM AND BASIC DIMENSION ESTABLISHED BY CUSTOMER.
- MINIMUM PCB THICKNESS OF 1.57.
- THE ENTIRE AREA OF THE CONNECTOR FOOTPRINT, INDICATED BY THE DASHED LINE, TO BE CONSIDERED THE KEEPOUT AREA FOR COMPONENTS AND TRACES.
- CROSS-HATCHED AREAS REPRESENT ZONES ON THE PCB THAT COME IN CONTACT WITH OR BE IN CLOSE PROXIMITY TO THE PLASTIC HOUSING OR THE CONNECTOR CAGE. INDICATED AREAS TO BE CONSIDERED TRACE FREE.
- PART NUMBER AND DATE CODE MAKED IN APPROXIMATE AREA SHOWN.
- HATCHED AREA IS PLACEMENT ZONE FOR LED. LED SHOULD BE CENTERED WITHIN ZONE. RECOMMEND 0805 PACKAGE.
- CONTACT FINISH: 0.08µm MINIMUM GOLD OVER 0.68µm PALLADIUM-NICKEL ON MATING END, 1.25µm MATT TIN ON SOLDER TAIL, ALL OVER 1.27µm NICKEL.

CONTACT FINISH	DESCRIPTION	PART NUMBER
2	NO LIGHTPIPE	2227670-8
2	NO LIGHTPIPE	2227670-7
9	LEFT INDICATOR DOWN	2227670-6
9	LEFT INDICATOR UP	2227670-5
9	NO LIGHTPIPE	2227670-4
2	LEFT INDICATOR DOWN	2227670-3
2	LEFT INDICATOR UP	2227670-2
2	NO LIGHTPIPE	2227670-1

THIS DRAWING IS A CONTROLLED DOCUMENT.

OWN: M. SHIRK 18JAN2013
 CHK: D. SZCZESNY 18JAN2013

APVD: -

NAME: CAGE AND CONNECTOR ASSEMBLY, WITH EMI SPRING, THRU BEZEL, 2X2, ZQSFP+ STACKED

PRODUCT SPEC: 108-60102
 APPLICATION SPEC: 114-60015

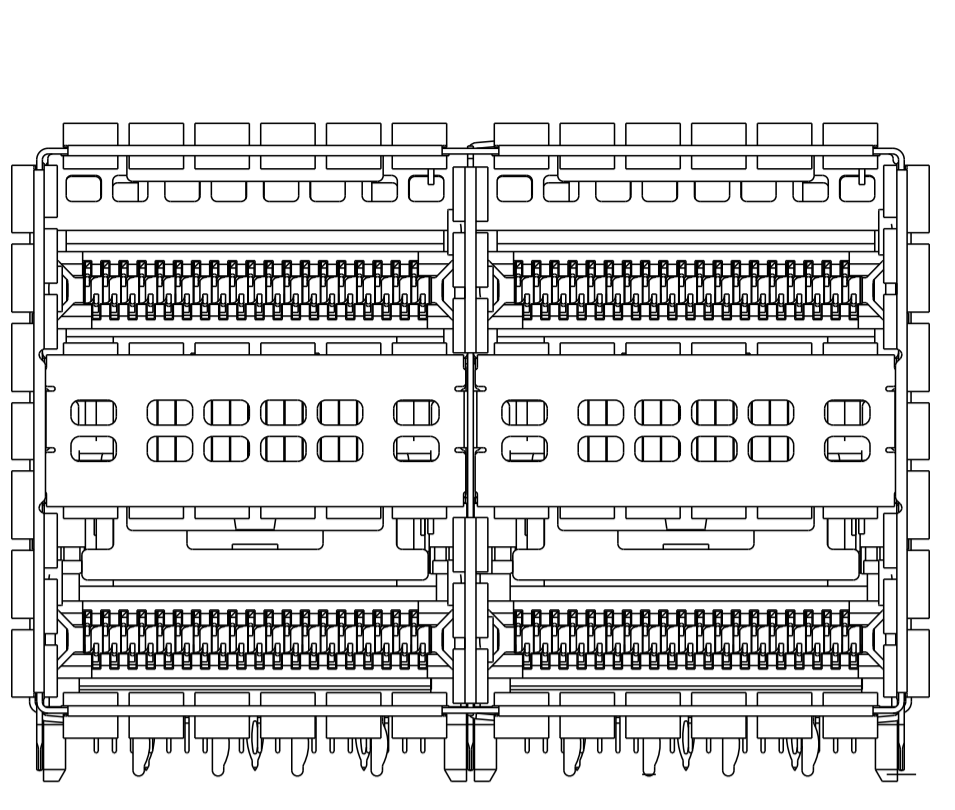
SIZE: A1
 CAGE CODE: 00779
 DRAWING NO: 2227670

RESTRICTED TO: -

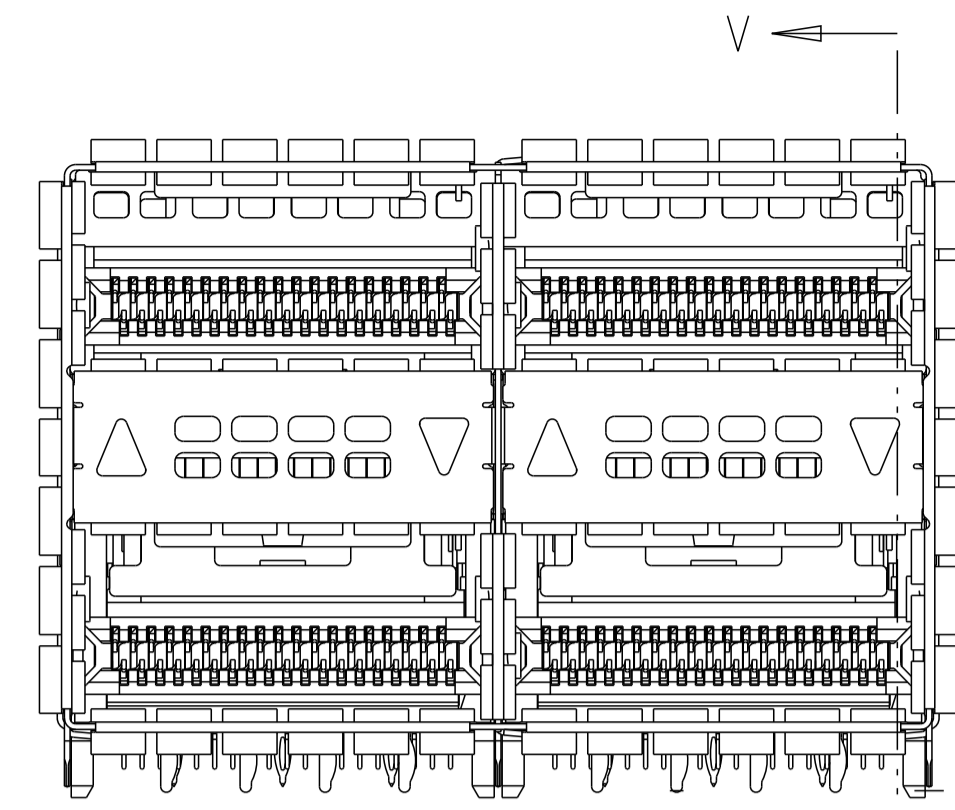
SCALE: 4:1 SHEET 1 OF 4 REV: B3

CUSTOMER DRAWING

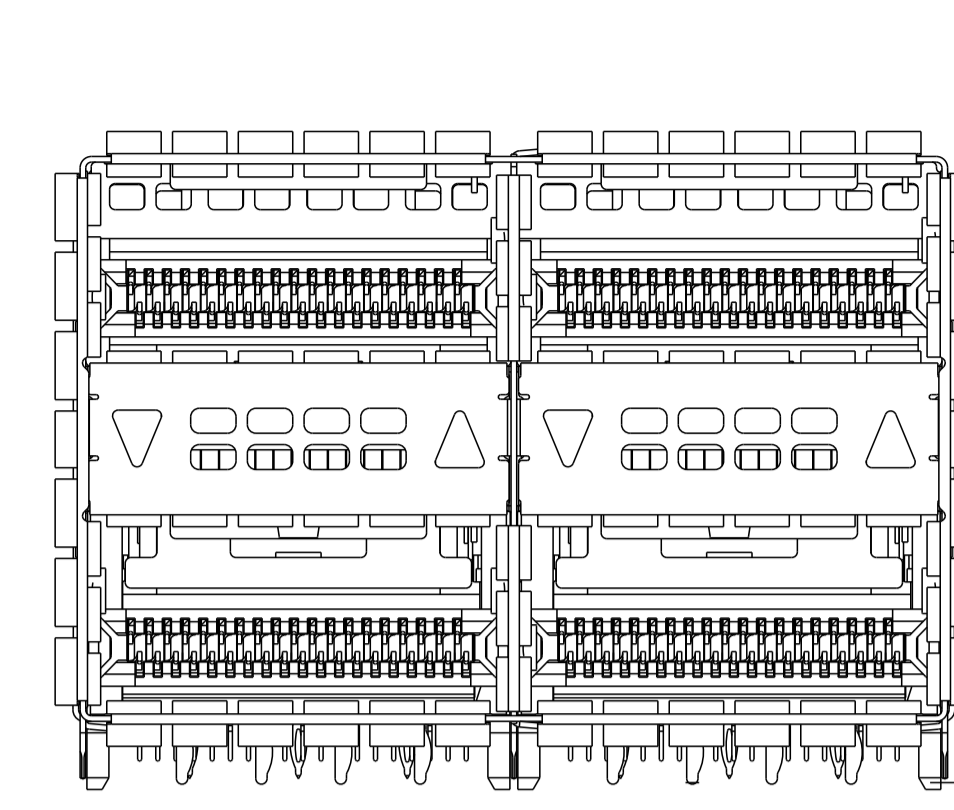
LOC	DIST	REVISIONS			
P	LTN	DESCRIPTION	DATE	DMN	APVD
rev_sym_1	1866_8H6E111			rev_defect	dmn_apppr_1
rev_sym_2	rev_desc_2			rev_defect	dmn_apppr_2
rev_sym_3	rev_desc_3			rev_defect	dmn_apppr_3
rev_sym_4	rev_desc_4			rev_defect	dmn_apppr_4



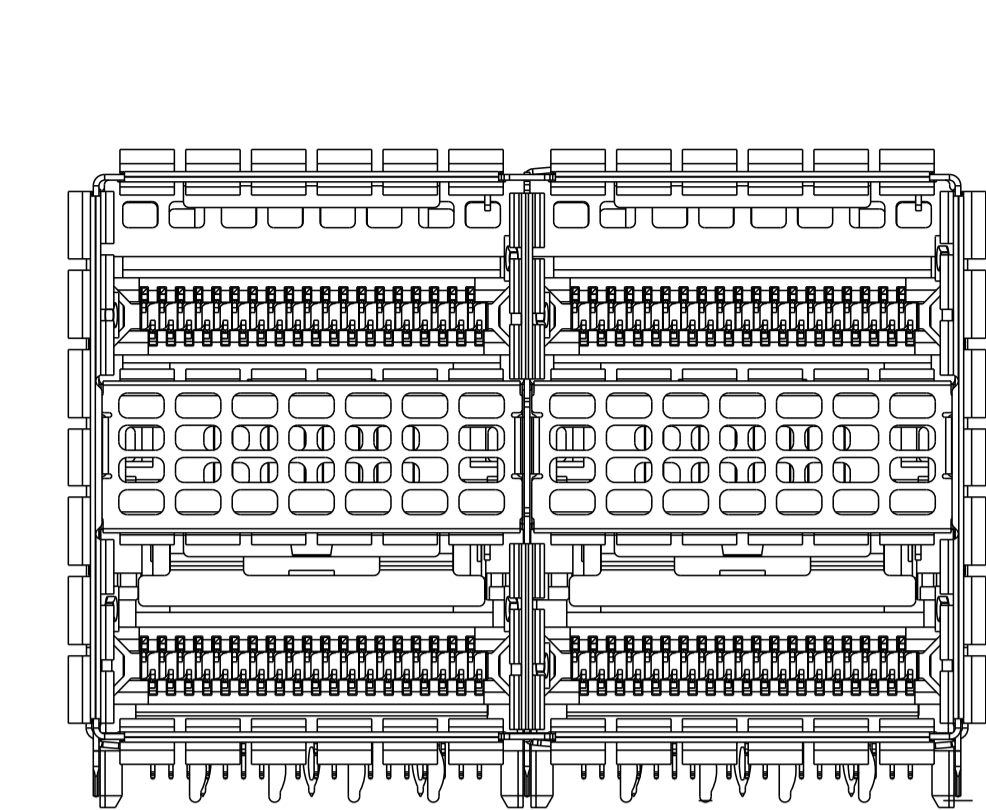
2227670-1, 2227670-4
 2227670-7
 NO LIGHTPIPE IN ASSEMBLY
 SCALE 3:1



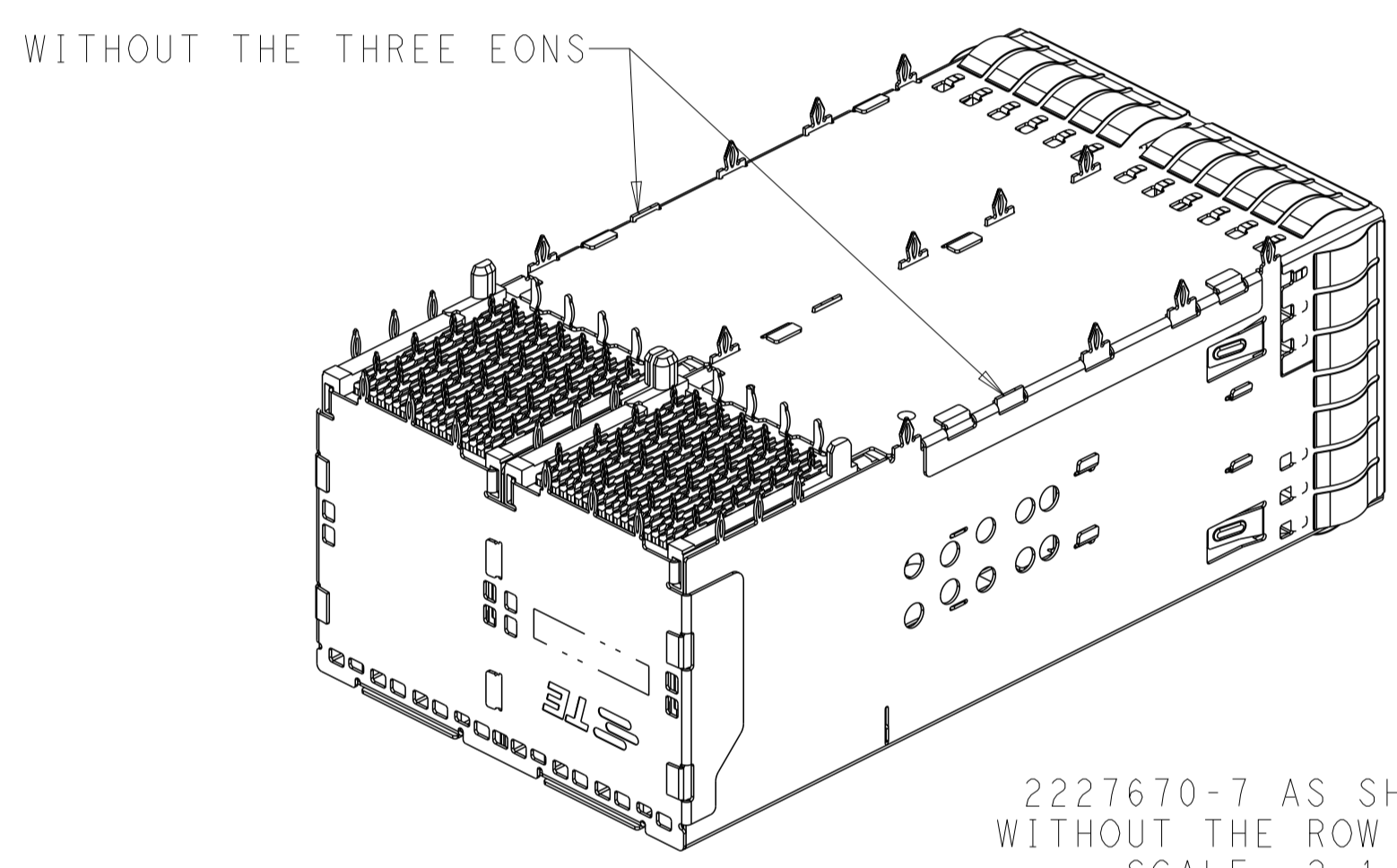
2227670-2 / 2227670-5
 LEFT LIGHTPIPE INDICATOR
 POINTING TO UPPER PORT
 SCALE 3:1



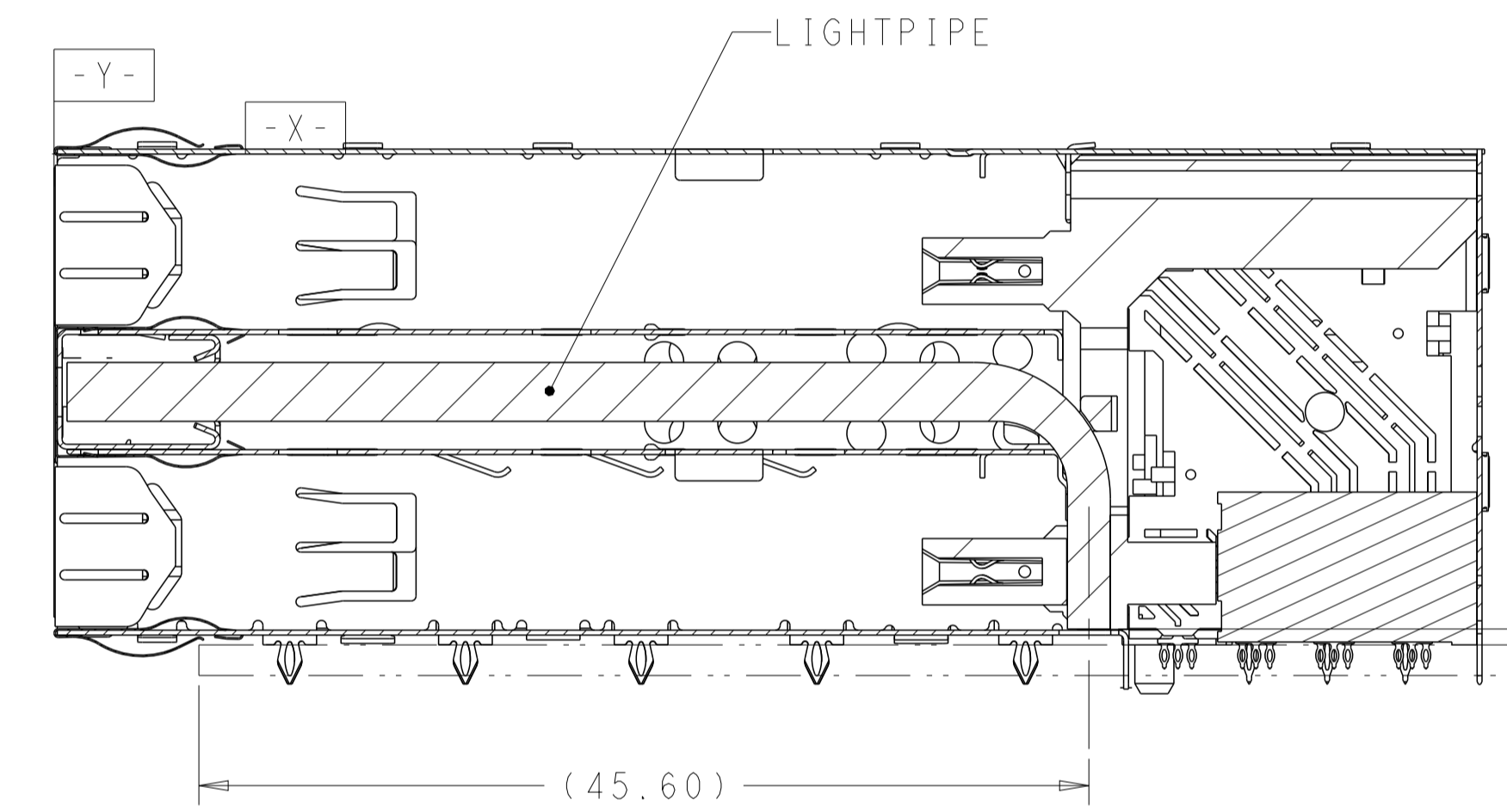
2227670-3 / 2227670-6
 LEFT LIGHTPIPE INDICATOR
 POINTING TO LOWER PORT
 SCALE 3:1



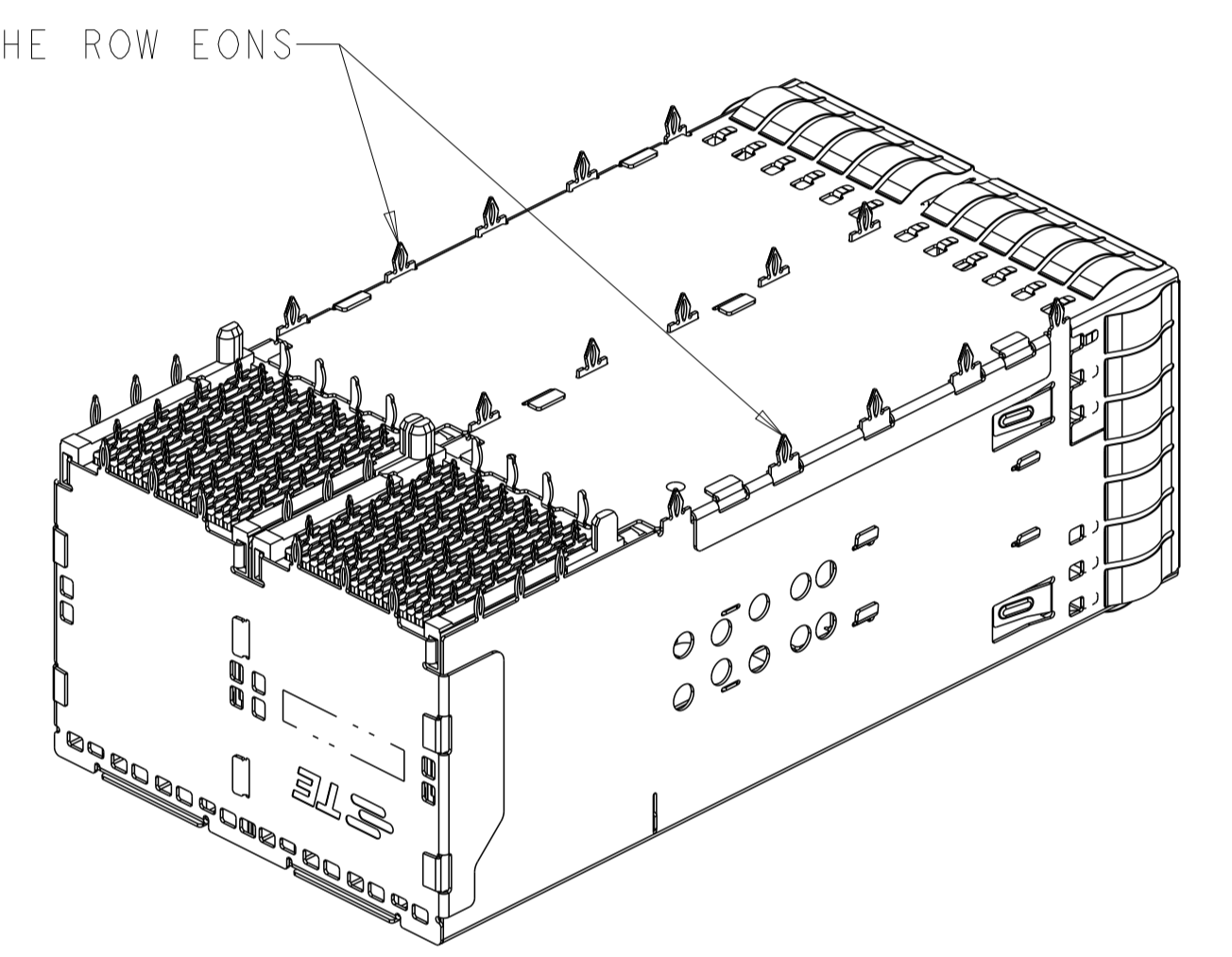
SCALE 3:1
 2227670-8
 NO LIGHTPIPE IN ASSEMBLY



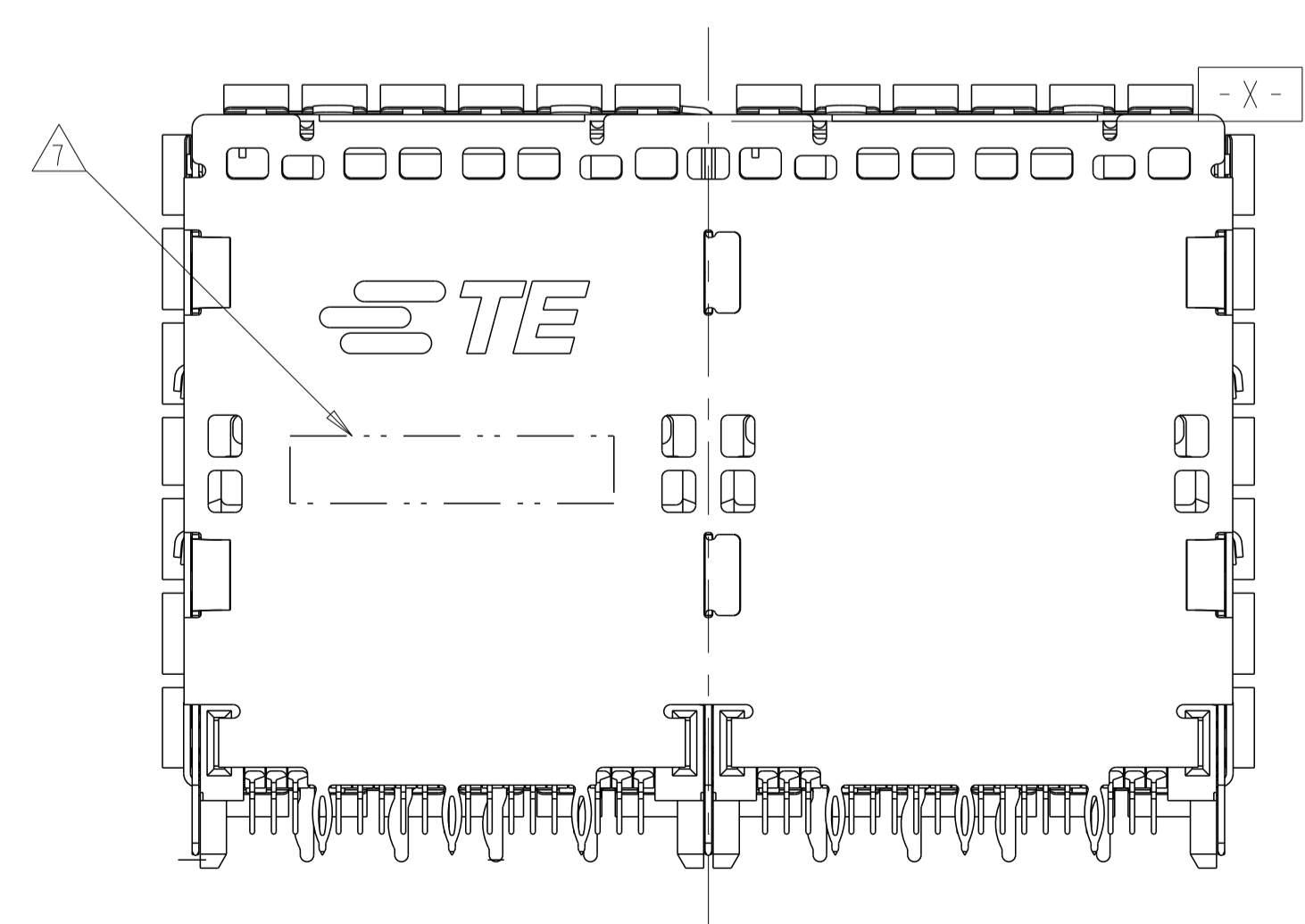
2227670-7 AS SHOWN
 WITHOUT THE ROW EONS
 SCALE 2:1



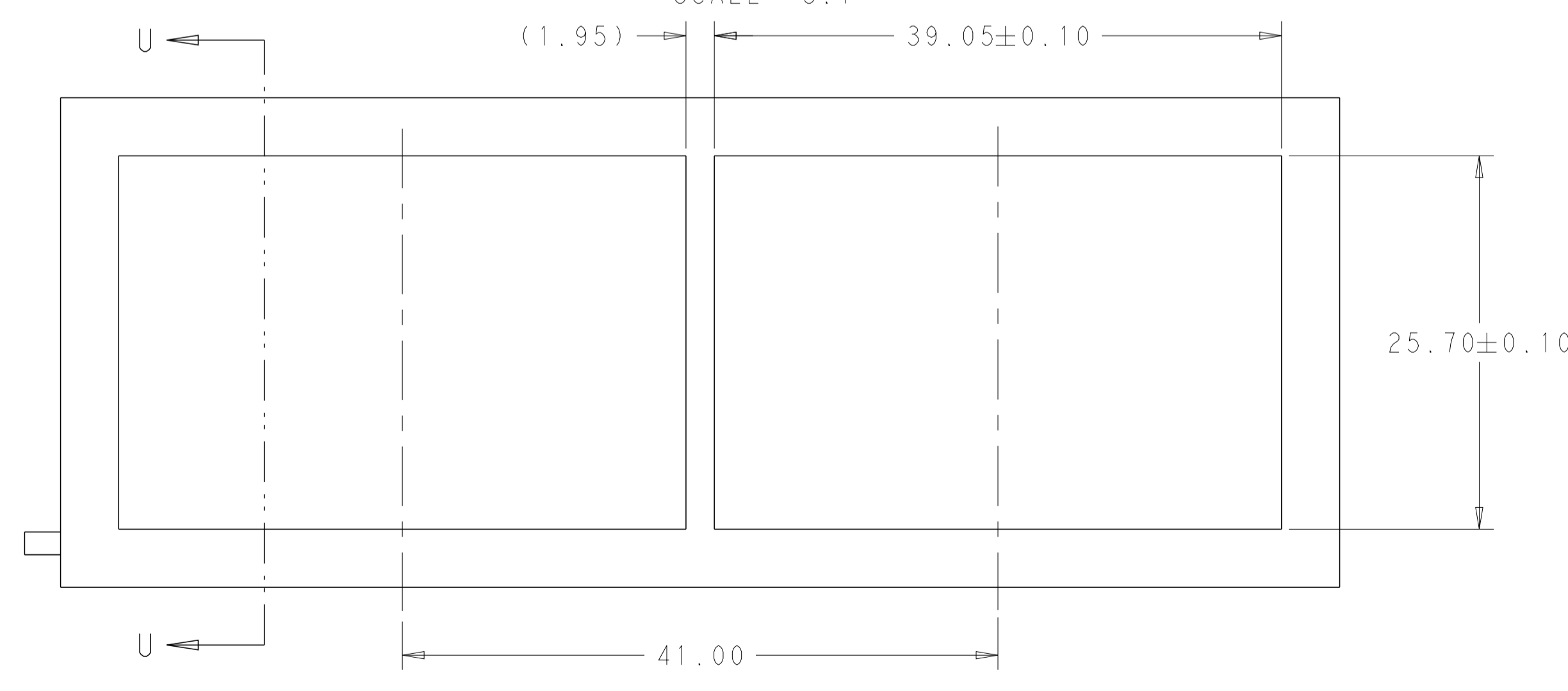
SECTION V-V
 SCALE 3:1



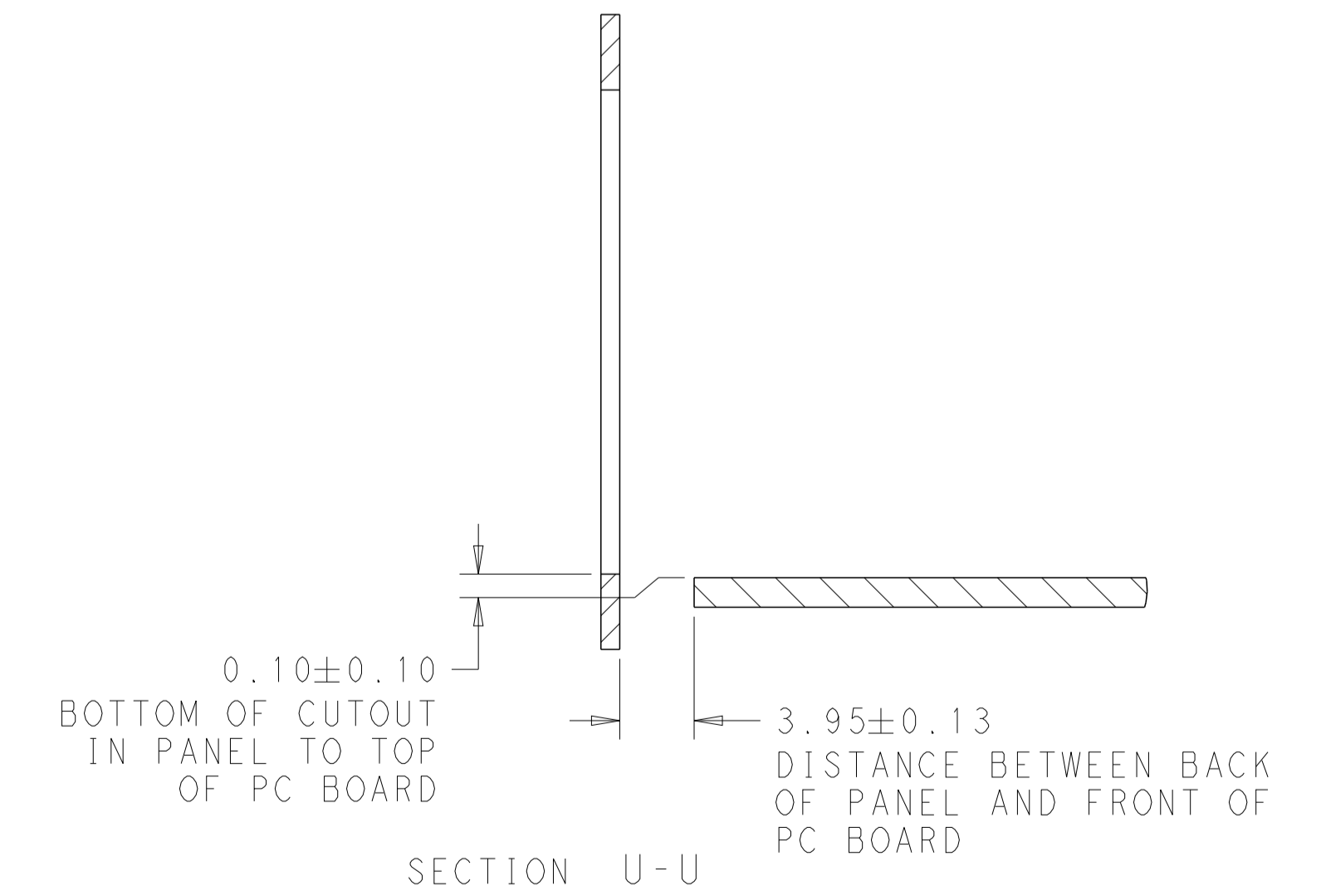
2227670-1 TO 2227670-6, 2227670-8
 AS SHOWN
 SCALE 2:1



VIEW Y-Y



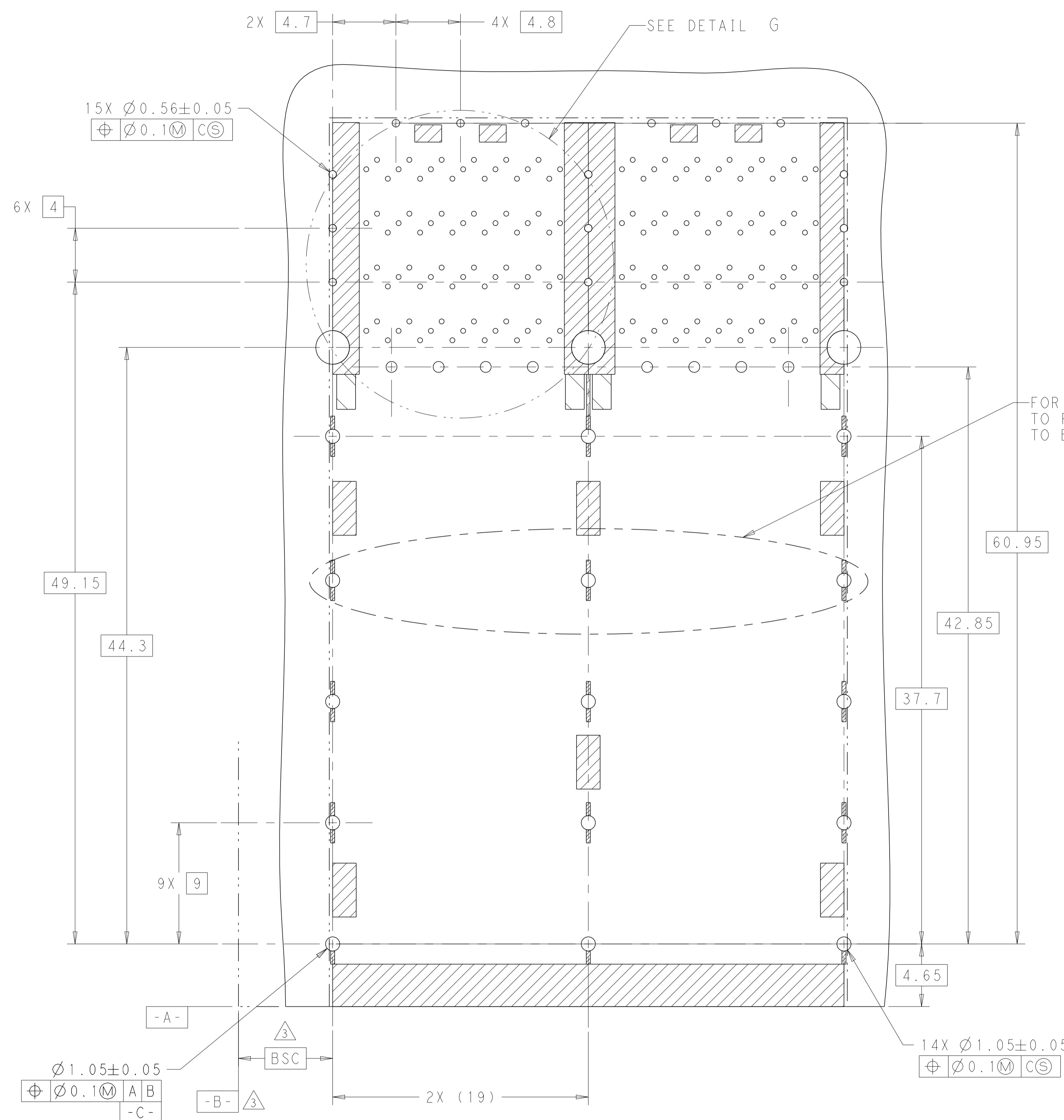
RECOMMENDED PANEL CUTOUT
 AND PC BOARD, PANEL POSITION
 SCALE 3:1



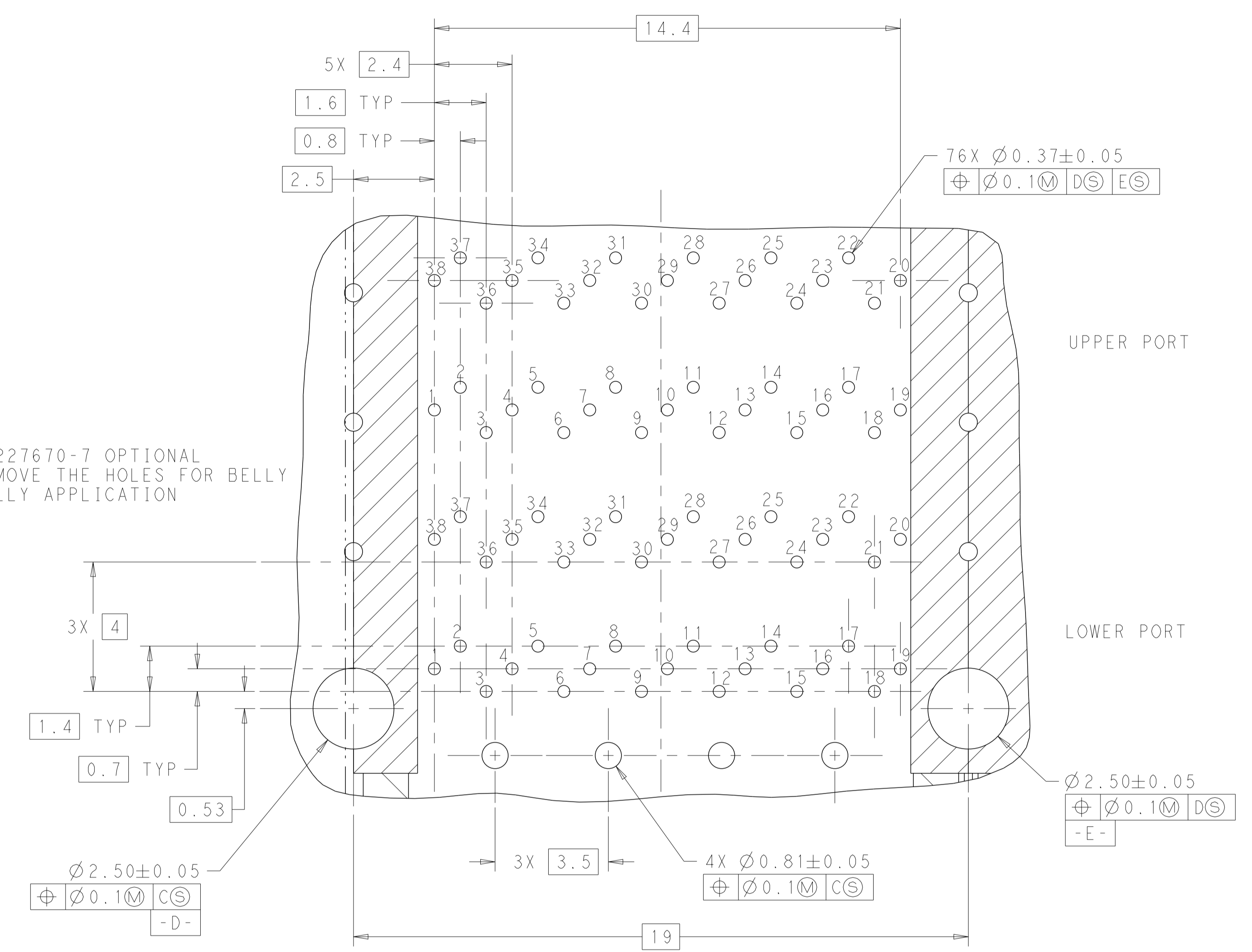
SECTION U-U

THIS DRAWING IS A CONTROLLED DOCUMENT.		DMN: M_SHIRK 18JAN2013	TE Connectivity NAME: CAGE AND CONNECTOR ASSEMBLY, WITH EMI SPRING, THRU BEZEL, 2X2, ZQSF+ STACKED
DIMENSIONS: mm		CHK: D_SZCZESNY 18JAN2013	
TOLERANCES UNLESS OTHERWISE SPECIFIED:		APVD: -	PRODUCT SPEC: 108-60102
0 PLC ±			APPLICATION SPEC: 114-60015
1 PLC ±0.25			WEIGHT: -
2 PLC ±0.15			REVISION: -
3 PLC ±			SCALE: 4:1
4 PLC ±			SHEET: 2 OF 4
ANGLES ±			REV: B3
FINISH: -			
MATERIAL: -			
SEE NOTE 1		SEE NOTE 2	CUSTOMER DRAWING

LOC	DIST	REVISIONS			
P	LTH	DESCRIPTION	DATE	DMN	APVD
rev_sym_1	18E11	18H6E111		rev_defect	dmn_appr_1
rev_sym_2	rev_desc_2			rev_defect	dmn_appr_2
rev_sym_3	rev_desc_3			rev_defect	dmn_appr_3
rev_sym_4	rev_desc_4			rev_defect	dmn_appr_4



RECOMMENDED PC BOARD LAYOUT
 COMPONENT SIDE OF BOARD
 (PCB TOLERANCE ± 0.05)
 SCALE 5:1



DETAIL G
 SCALE 10:1

FOR 2227670-7 OPTIONAL
 TO REMOVE THE HOLES FOR BELLY
 TO BELLY APPLICATION

THIS DRAWING IS A CONTROLLED DOCUMENT. DMN: M. SHIRK 18JAN2013
 CHK: D. SZCZESNY 18JAN2013

DIMENSIONS: mm TOLERANCES UNLESS OTHERWISE SPECIFIED:

0 PLC	±
1 PLC	±0.25
2 PLC	±0.15
3 PLC	±
4 PLC	±
ANGLES	±
FINISH	±

MATERIAL: SEE NOTE 1 FINISH: SEE NOTE 2

PRODUCT SPEC: 108-60102
 APPLICATION SPEC: 114-60015

WEIGHT: - CUSTOMER DRAWING

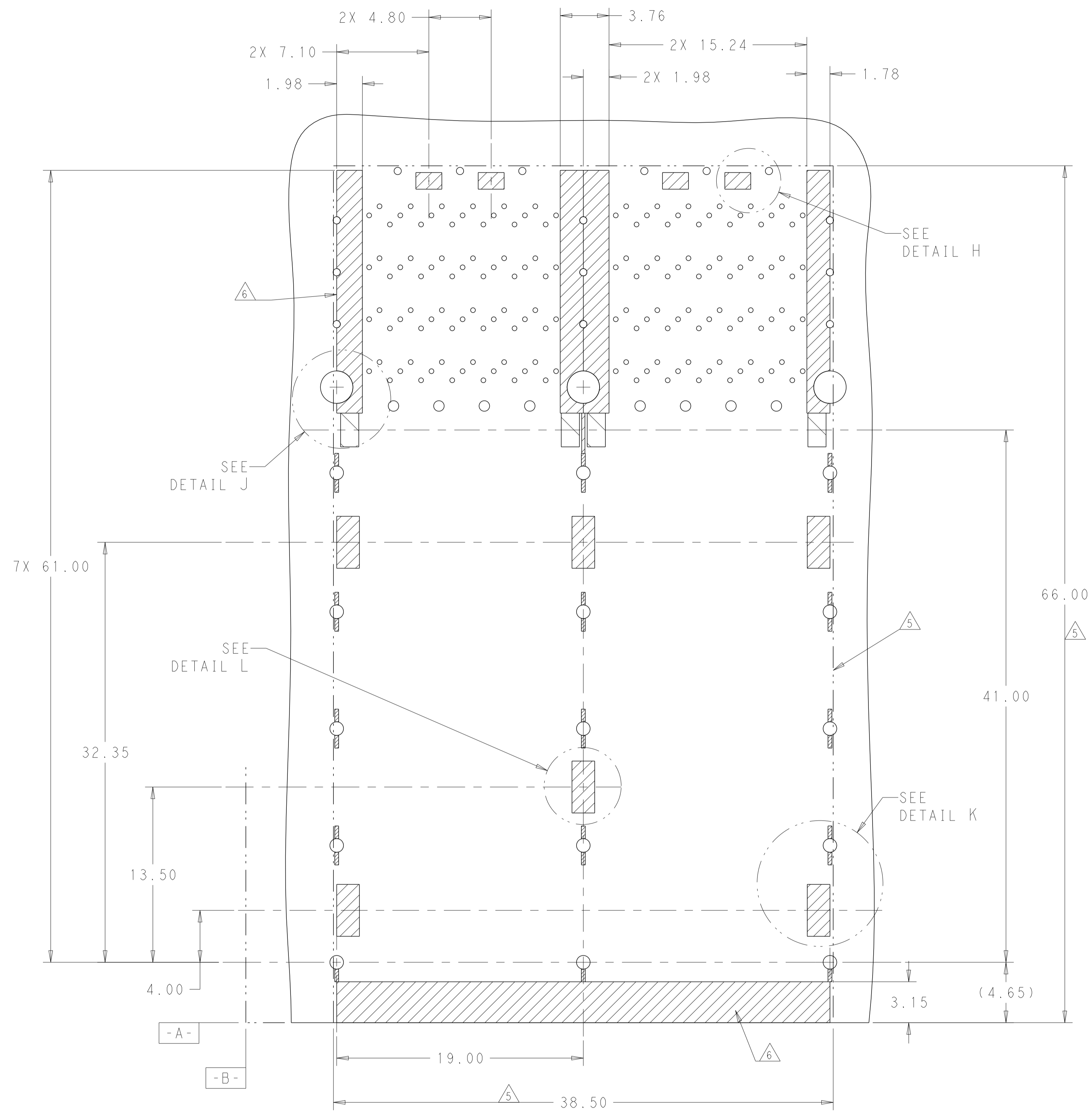
NAME: CAGE AND CONNECTOR ASSEMBLY, WITH EMI SPRING, THRU BEZEL, 2X2, ZQSFP+ STACKED

SIZE: A1 CAGE CODE: 100779 DRAWING NO: C=2227670

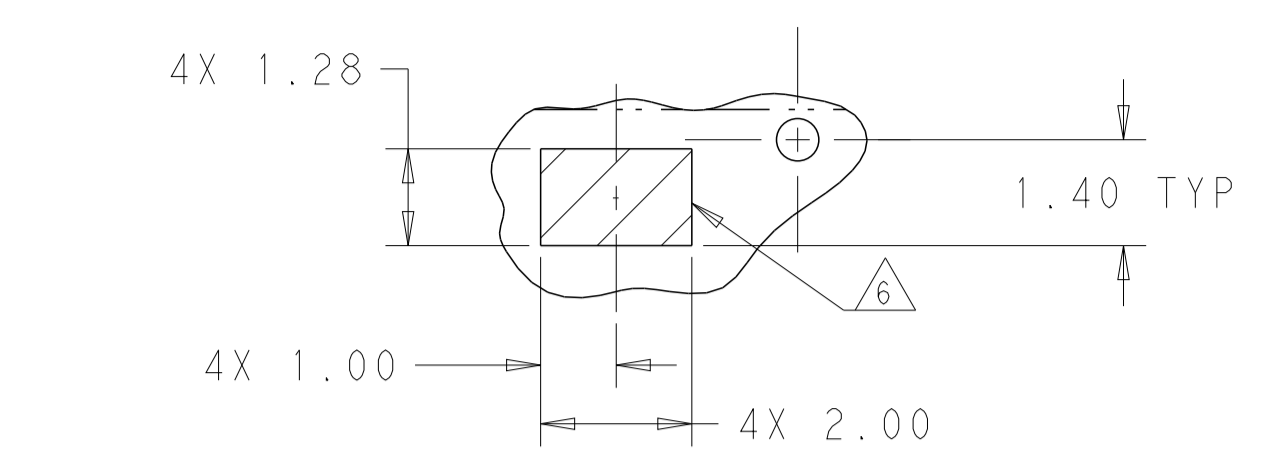
RESTRICTED TO: -

SCALE: 4:1 SHEET: 3 OF 4 REV: B3

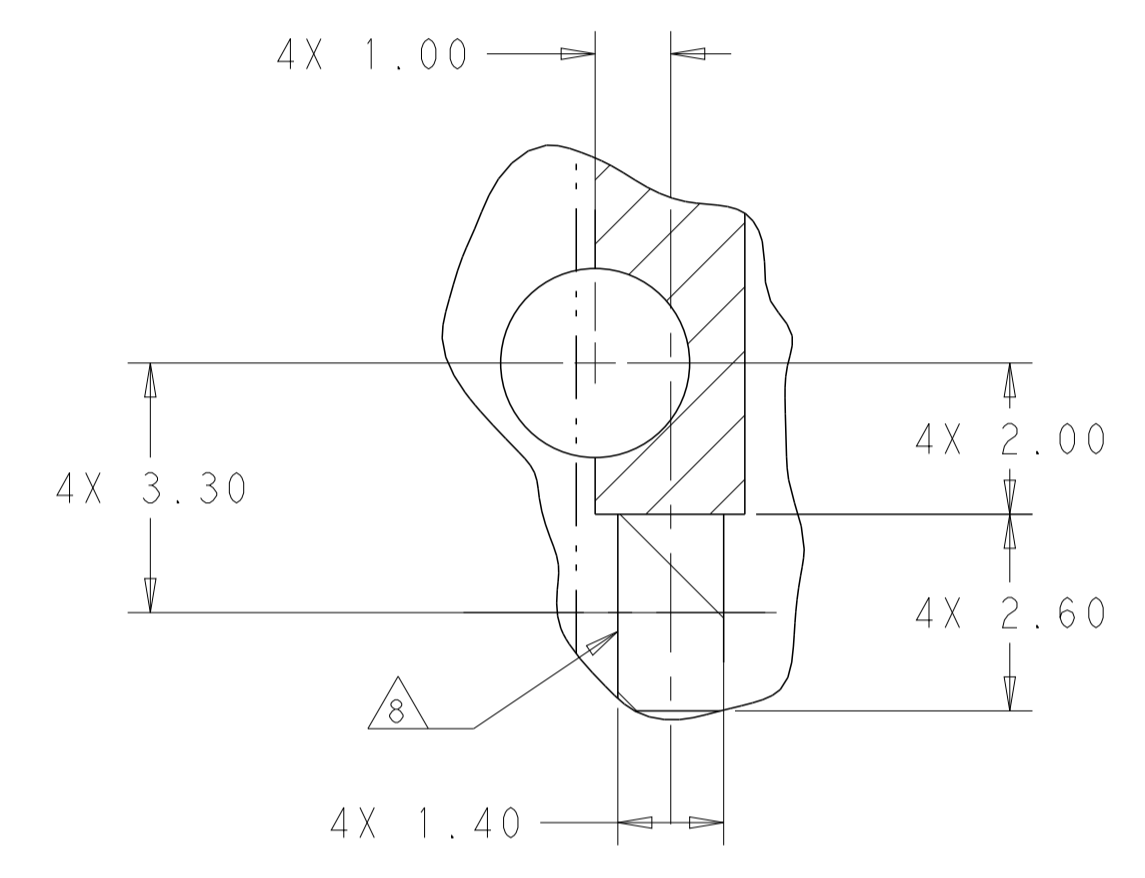
LOC	DIST	REVISIONS			
P	LTR	DESCRIPTION	DATE	DMN	APVD
rev_sym_1	18EVI11			rev_defect	dmn_bppr_1
rev_sym_2	rev_desc_2			rev_defect	dmn_bppr_2
rev_sym_3	rev_desc_3			rev_defect	dmn_bppr_3
rev_sym_4	rev_desc_4			rev_defect	dmn_bppr_4



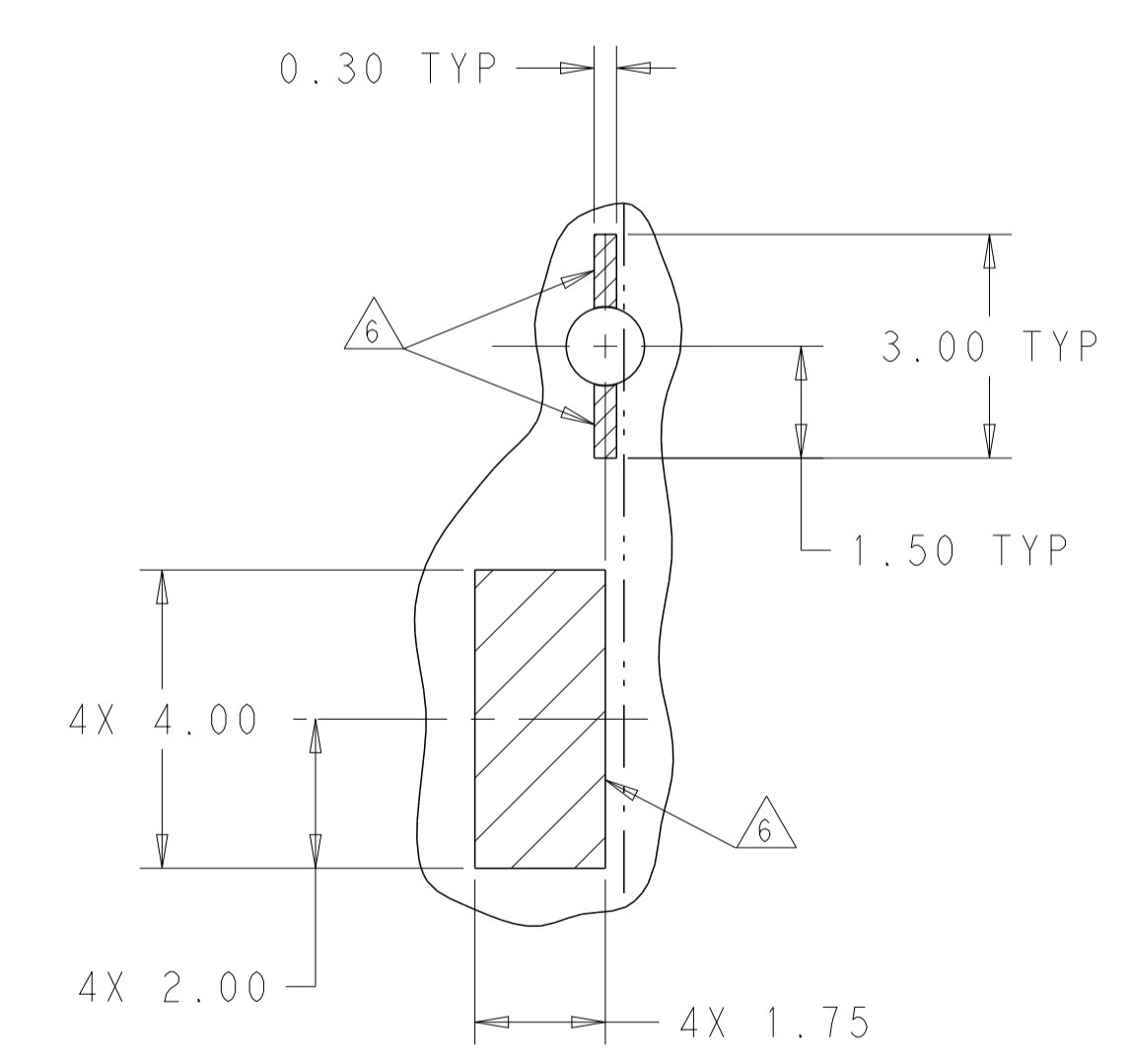
KEEPOUT AREAS
 COMPONENT SIDE OF BOARD
 (PCB TOLERANCE ±0.05)
 SCALE 5:1



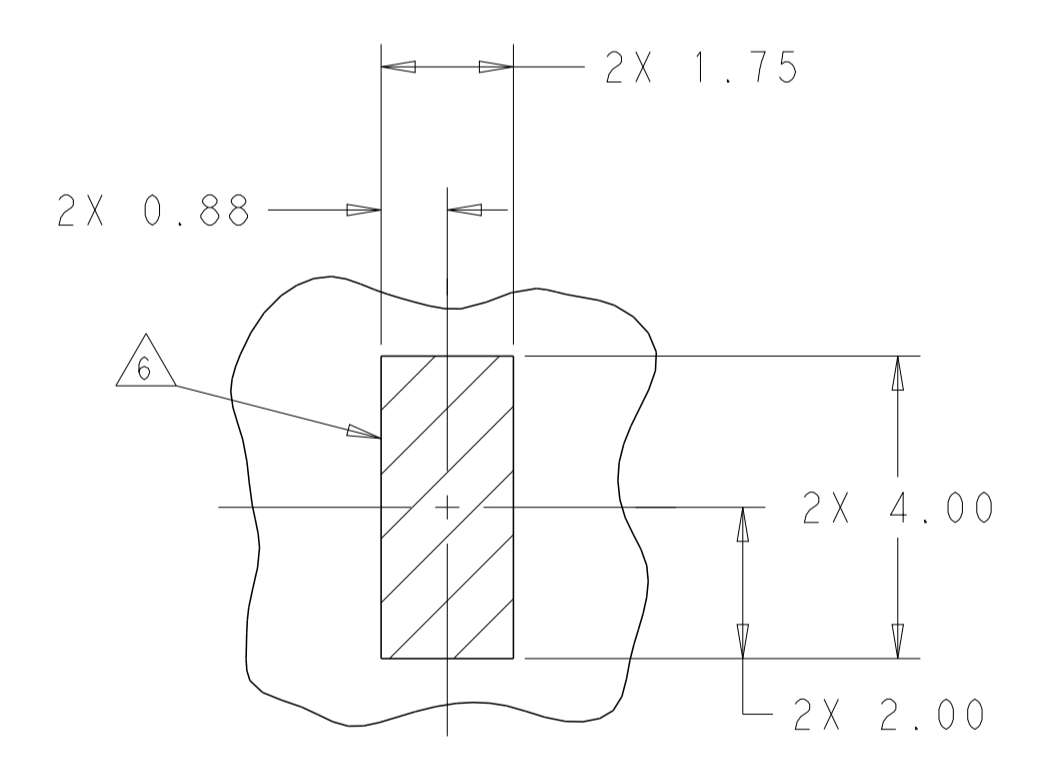
DETAIL H
 SCALE 10:1



DETAIL J
 LED PADS
 SCALE 10:1



DETAIL K
 SCALE 10:1



DETAIL L
 SCALE 10:1

THIS DRAWING IS A CONTROLLED DOCUMENT.		DMN: M_SHIRK 18JAN2013	TE Connectivity
		CHK: D_SZCZESNY 18JAN2013	
DIMENSIONS:	TOLERANCES UNLESS OTHERWISE SPECIFIED:	APVD:	NAME:
mm	0 PLC ±0.25	PRODUCT SPEC:	CAGE AND CONNECTOR ASSEMBLY,
	2 PLC ±0.15	APPLICATION SPEC:	WITH EMI SPRING, THRU BEZEL, 2X2,
	3 PLC ±	SIZE: 114-60015	ZQSFP+ STACKED
	4 PLC ±	WEIGHT:	RESTRICTED TO:
	ANGLES ±	FINISH:	A100779C=2227670
MATERIAL:		SEE NOTE 1	CUSTOMER DRAWING
		SEE NOTE 2	SCALE 4:1 SHEET 4 OF 4 REV B3