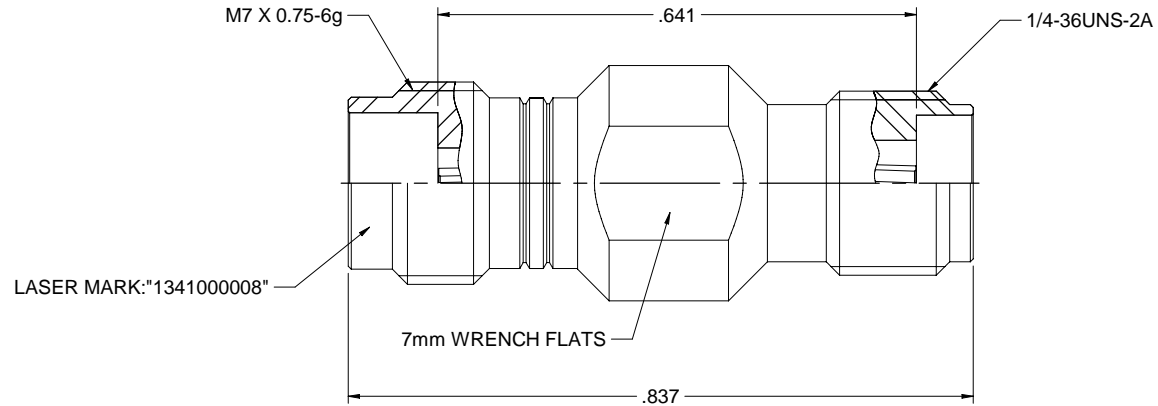


MODEL NO.	PACKAGING
134-1000-008	ONE PCS PER BAG

REV	ECO	DATE
001	ECO-11-0022	11/28/2017
002	ECO-18-0020	08/21/2018



NOTES: UNLESS OTHERWISE SPECIFIED

1. MATERIAL & FINISH:
 - 1.1 BODY: PASSIVATED STAINLESS STEEL
 - 1.2 CONTACT PIN : GOLD PLATED BERYLLIUM COPPER
 - 1.3 INSULATOR: ULTEM 1000 AMBER
2. ELECTRICAL:
 - 2.1 IMPEDANCE: 50 OHMS
 - 2.2 FREQUENCY RANGE: DC-46 GHz
 - 2.3 INSERTION LOSS: 0.3DB MAX
 - 2.4 DIELECTRIC WITHSTANDING VOLTAGE: 500 VRMS MIN
 - 2.5 VOLTAGE STANDING WAVE RATIO: DC- 4 GHz: 1.05 MAX
4 -20 GHz: 1.08 MAX
20-46 GHz: 1.15 MAX
 - 2.6 CONTACT RESISTANCE: CENTER CONTACT: 4 MILLIOHMS MAX
OUTER CONTACT: 2.5 MILLIOHMS MAX
 - 2.7 INSULATION RESISTANCE: 5000 MOHM MIN
3. MECHANICAL:
 - 3.1 ENGAGEMENT/ DISENGAGEMENT FORCE: 0.23 NM MAX
 - 3.2 CONTACT RETENTION: 20 N MIN
 - 3.3 DURABILITY: 500 CYCLES MIN
4. ENVIRONMENT:
 - 4.1 THERMAL SHOCK: MIL-STD-202, METHOD 107, CONDITION B.
 - 4.2 OPERATING TEMPERATURE: -65 TO 165°C
 - 4.3 SHOCK: MIL-STD-202, METHOD 213, CONDITION I
 - 4.4 VIBRATION: MIL-STD-202, METHOD 204, CONDITION D
 - 4.5 MOISTURE RESISTANCE: MIL-STD-202, METHOD 106

Model No. 134-1000-008		Johnson	
Title: ADAPTER ASSEMBLY, 2.4mm JACK TO 2.92mm(SMK) JACK		Rev. 002	