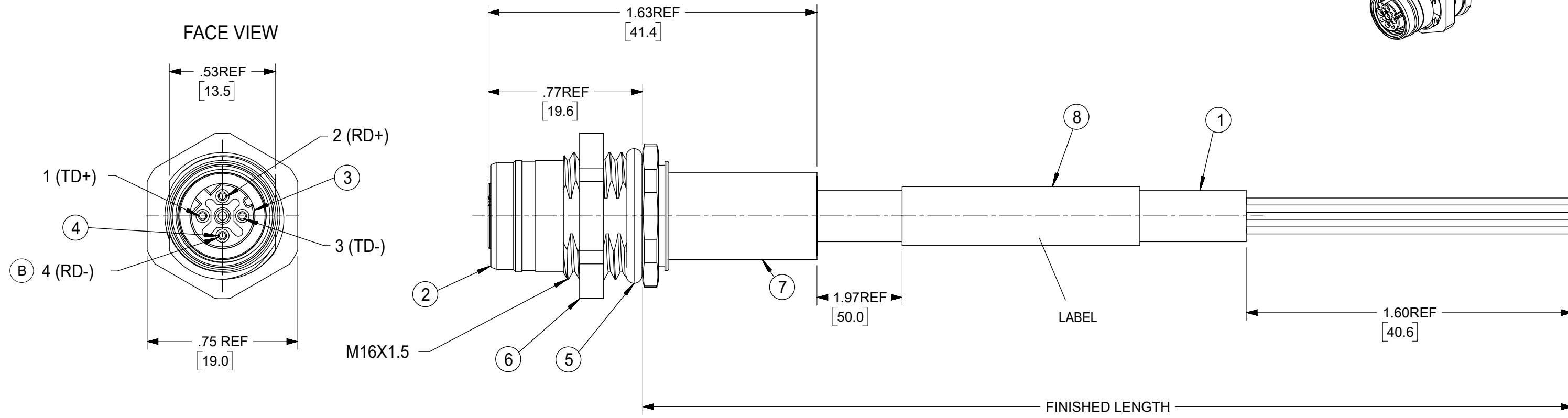
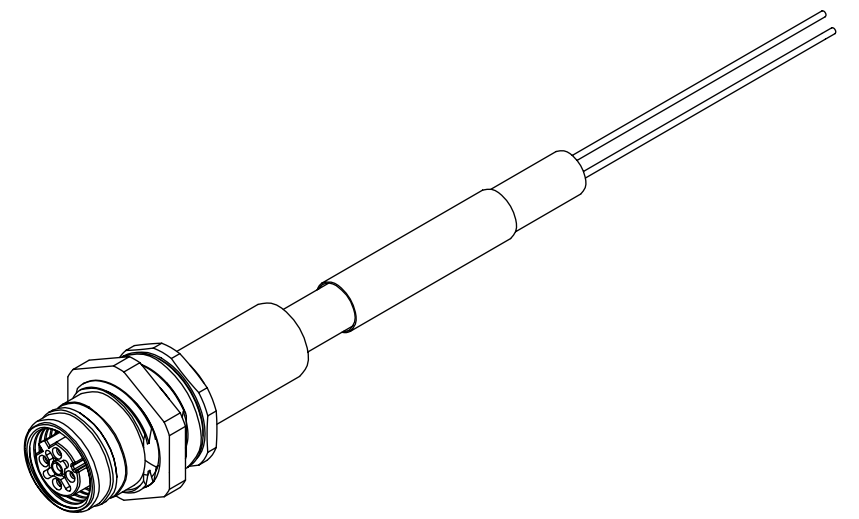
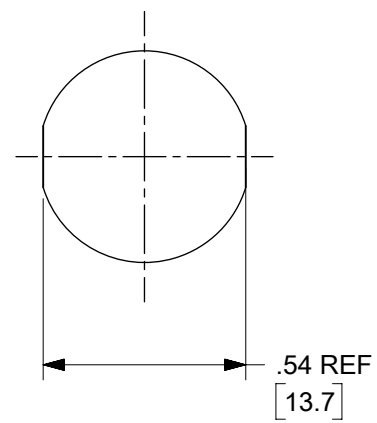


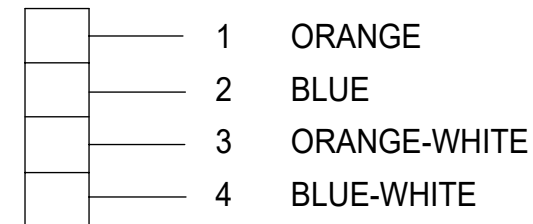
SAP NUMBER	ENGINEERING NUMBER	FINISHED LENGTH
1300540012	ERWAAJ4002M002	7.87" +.75-0[.2M +19.0-0]
1300540013	ERWAAJ4002M020	76.56"+3.50"-0[2M+89.0-0]



TYPICAL KNOCKOUT



WIRING CONNECTION



- NOTES:
 1. MATERIALS: SEE TABLE
 2. FINISH: SEE TABLE
 3. ELECTRICAL SPECIFICATIONS:
 VOLTAGE: 125V
 CURRENT RATING: 1.5A
 4. ENVIRONMENTAL:
 TEMP RANGE: -25°C - 75°C
 5. ASSEMBLY IS ROHS COMPLIANT BY EXCEPTION

ITEM	COMPONENT	MATERIAL	FINISH
8	LABEL	MYLAR	BLK/YLW
7	SLEEVE	BRASS	NICKEL PLATED
6	PANEL NUT	Cu ALLOY	NICKEL PLATED
5	O-RING	BUNA-N	BLACK
4	SOCKET CONTACT	Cu ALLOY	GOLD PLATED
3	INSERT 4P	NYLON	BLACK
2	RECEPT. SHELL	BRASS	NICKEL PLATED
1	CABLE	ETHERNET CAT 5e(PVC)	JACKET:TEAL

FUNCTIONAL SYMBOLS FA = 0 FC = 0 FP = 0	THIS DRAWING CONTAINS INFORMATION THAT IS PROPRIETARY TO MOLEX ELECTRONIC TECHNOLOGIES, LLC AND SHOULD NOT BE USED WITHOUT WRITTEN PERMISSION		
	DIMENSION UNITS	SCALE	CURRENT REV DESC: UPDATE PIN 4 TO RD-
	mm	1:1	
	GENERAL TOLERANCES (UNLESS SPECIFIED)		
DIVISIONAL SYMBOLS	ANGULAR TOL	± 0.5°	EC NO: 663650
	4 PLACES	±	DRWN: CCHRSTKA 2021/05/11
	3 PLACES	±	CHK'D: MZIELINSKI 2021/05/13
	2 PLACES	±	APPR: BWOODMAN 2021/05/14
1 PLACE	±	INITIAL REVISION:	
0 PLACES	±	DRWN: BRUPERT 2010/01/29	
DRAFT WHERE APPLICABLE MUST REMAIN WITHIN DIMENSIONS			APPR: JFMURPHY 2010/01/29
THIRD ANGLE PROJECTION		DRAWING	SERIES
		C-SIZE	130054
DOCUMENT NUMBER		CUSTOMER	SHEET NUMBER
SD-130054-001		GENERAL MARKET	1 OF 1
DOC TYPE		DOC PART	REVISION
PSD		001	B

molex

M12 D-CODE CORDSET RECEPTACLE

PRODUCT CUSTOMER DRAWING