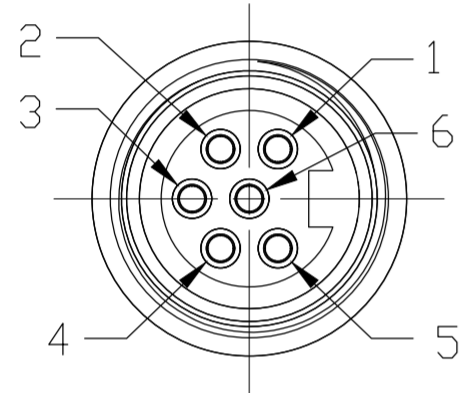
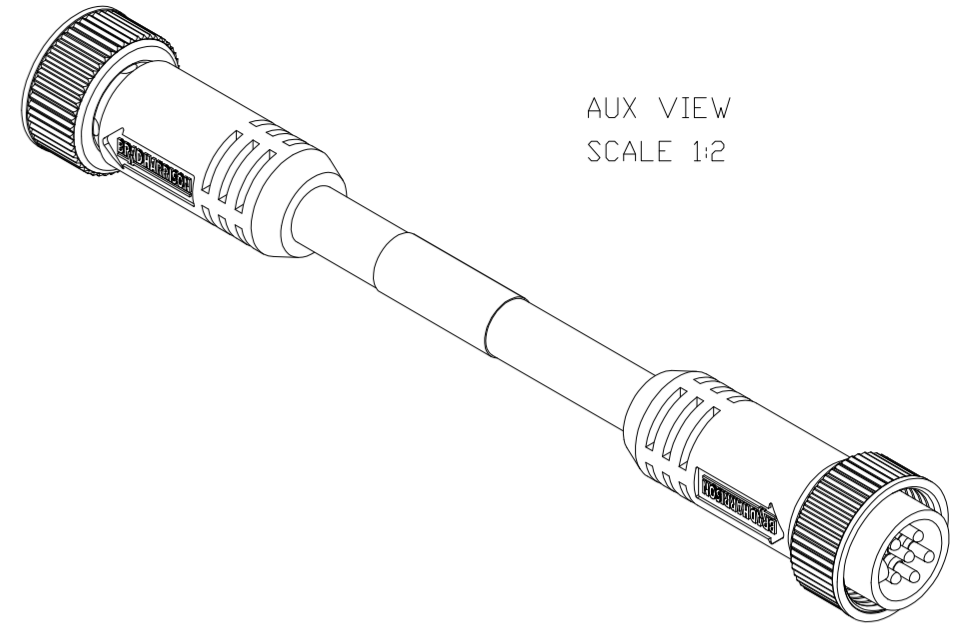
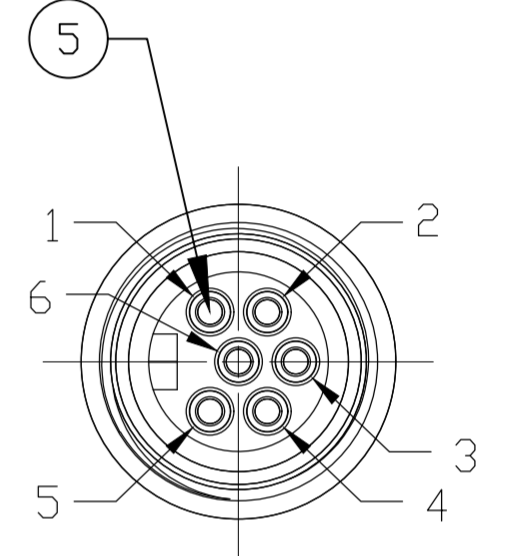
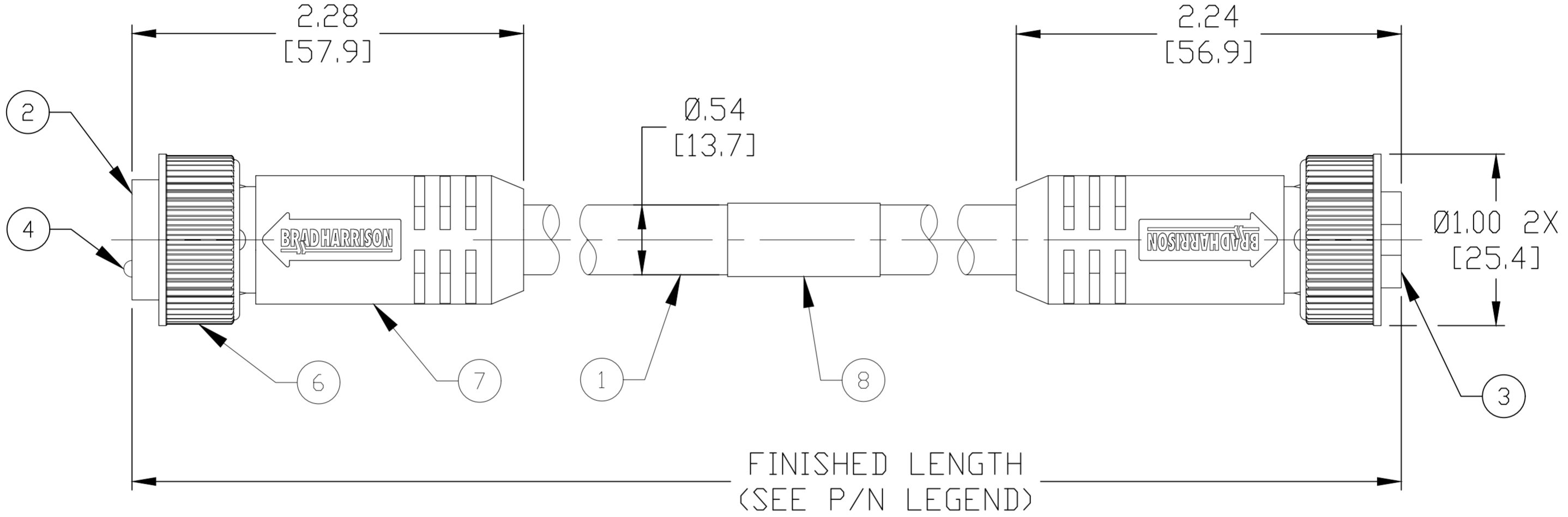


MATERIAL NUMBER	ENGINEERING NUMBER	FINISHED LENGTH	COUPLING MAT.	COLOR
1300101312	116020A01F030	3.0FT [0.9M]	DIE-CAST ZINC	BLACK
1300101316	116020A01F060	6.0FT [1.8M]		
1300101327	116020A01F120	12.0FT [3.7M]		
1300101338	116020A01F200	20.0FT [6.1M]		
1300101313	116020A01F0301	3.0FT [0.9M]	303 SS	PASSIVATED
1300101328	116020A01F1201	12.0FT [3.7M]		
1300101319	116020A01F0608	6.0FT [1.8M]	316 SS	PASSIVATED

CABLE LENGTH TOLERANCES
 <.3M [1FT]: +19mm-0 [+.75in-0]
 .3 - .9M [1 - 3FT]: +44.5mm-0 [+1.75in-0]
 .9 - 1.8M [3 - 6FT]: +55.6mm-0 [+2.19in-0]
 1.8 - 3.7M [6 - 12FT]: +88.9mm-0 [+3.50in-0]
 3.7 - 7.3M [12 - 24FT]: +165.1mm-0 [+6.50in-0]
 7.3-14.6M [24 - 48FT]: +317.5mm-0 [+12.50in-0]
 14.6 - 30.5M [48-100FT]: +622.3mm-0 [+24.50in-0]
 OVER 30M [100FT] +2% OF FINISHED LENGTH



MALE FACE VIEW



FEMALE FACE VIEW

FINISHED LENGTH
(SEE P/N LEGEND)

- NOTES:**
- MATERIAL: AS NOTED
 - FINISH: AS NOTED
 - ELECTRICAL:
 VOLTAGE: 400V PER IEC 60664
 600V PER UL 2238
 CURRENT: 8A
 - TEMP RATING: -20°C TO +105°C
 - PROTECTION: IP67 (WHEN MATED)
 - COUPLING THREAD: 7/8-16UN
 - UL RECOGNIZED FILE: E152210
 CSA CERTIFIED FILE: LR6837
 - ALL DIMS ARE FOR REFERENCE UNLESS TOLERANCED OR NOTED OTHERWISE

PART NUMBER LEGEND

116020A01F0301

FINISHED LENGTH ——— COUPLING OPT'S

F020= 2 FEET BLANK= DIE-CAST ZINC
 F100= 10 FEET 01= 303SS
 M005= 0.5 METER 08= 316 SS
 M010= 1.0 METER
 M100= 10.0 METERS

MALE		FEMALE	
1	WHITE	1	
2	RED	2	
3	GREEN/YELLOW - GND	3	
4	ORANGE	4	
5	BLACK	5	
6	BLUE	6	

WIRING DIAGRAM

ITEM	DESCRIPTION	MATERIAL	FINISH
8	LABEL	VINYL	BLACK/YELLOW
7	OVERMOLD	TPE (B)	YELLOW
6	COUPLING NUT	SEE P/N MATRIX	SEE P/N MATRIX
5	CONTACT SOCKET	BRASS	GOLD OVER NICKEL
4	CONTACT PIN	BRASS	GOLD OVER NICKEL
3	FEMALE INSERT, 6 POLE	TPE (B)	YELLOW
2	MALE INSERT, 6 POLE	TPE (B)	YELLOW
1	CABLE, ST00W/ST #16/6	PVC JACKET	YELLOW

FUNCTIONAL SYMBOLS				THIS DRAWING CONTAINS INFORMATION THAT IS PROPRIETARY TO MOLEX ELECTRONIC TECHNOLOGIES, LLC AND SHOULD NOT BE USED WITHOUT WRITTEN PERMISSION			
DIMENSION UNITS		SCALE		CURRENT REV DESC: UPDATE PER LATEST DOC STD, ADD P/N LEGEND & LENGTH TOLS, UPDATE NOTES O-MOLD AND INSERTS WERE PVC			
INCH/MM		1:1					
GENERAL TOLERANCES (UNLESS SPECIFIED)				EC NO: 644995			
4 PLACES ±----		±----		DRWN: RSTONE 2020/09/03			
3 PLACES ±----		±----		CHK'D: MZIELINSKI 2020/09/09			
2 PLACES ±----		±0.01		APPR: BWOODMAN 2020/10/12			
1 PLACE ±0.3		±----		INITIAL REVISION:			
0 PLACES ±----		±----		DRWN: LHARTMAN 2009/08/10			
ANGULAR TOL ± ---- °				APPR: JFMURPHY 2009/08/14			
DRAFT WHERE APPLICABLE MUST REMAIN WITHIN DIMENSIONS		THIRD ANGLE PROJECTION		DRAWING		SERIES	
		C-SIZE		130010			
DOCUMENT NUMBER				DOC TYPE/DOC PART/REVISION			
SD-130010-007				PSD 001 B			
MATERIAL NUMBER		CUSTOMER		SHEET NUMBER			
130010		GENERAL MARKET		1 OF 1			