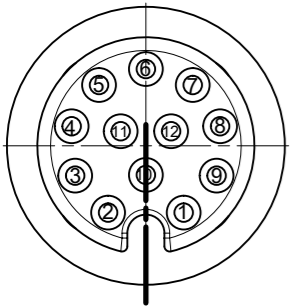


U12 12 POLE FEMALE



VIEW FROM THE FRONT SIDE

PIN	WIRE COLOR
1	WH
2	BN
3	GN
4	YE
5	GY
6	PK
7	BU
8	RD
9	BK
10	VT
11	GY/PK
12	RD/BU

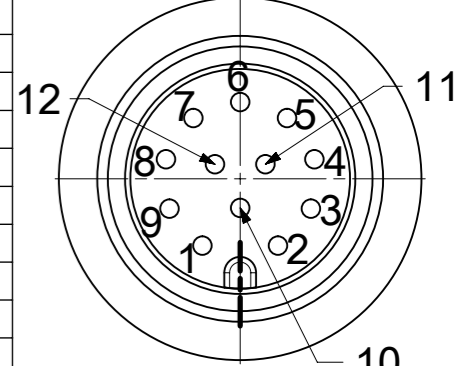
SHIELD CONNECTED TO THE HOUSING

PART No. MATRIX

W W C S 3 0 X X X X X X X X

WW = ULTRA-LOCK ON BOTH SIDE
HEAD STYLE: 030 = SHIELDED MALE STR TO FEMALE STR
Poles: C = 12 Poles
Cable: P45 TYPE
Units: M = Meter, C = Centimeter
Length Examples: 005 = 0.5 m, 010 = 1 m, 050 = 5 m, 100 = 10 m
Molding color: Blank = YELLOW, G = BLACK, Nut Material: Blank = Standard, 7 = Teflon

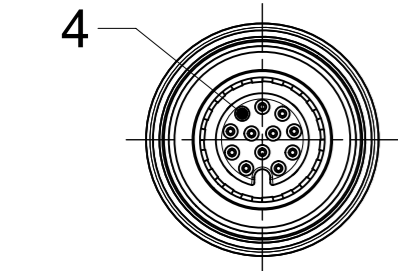
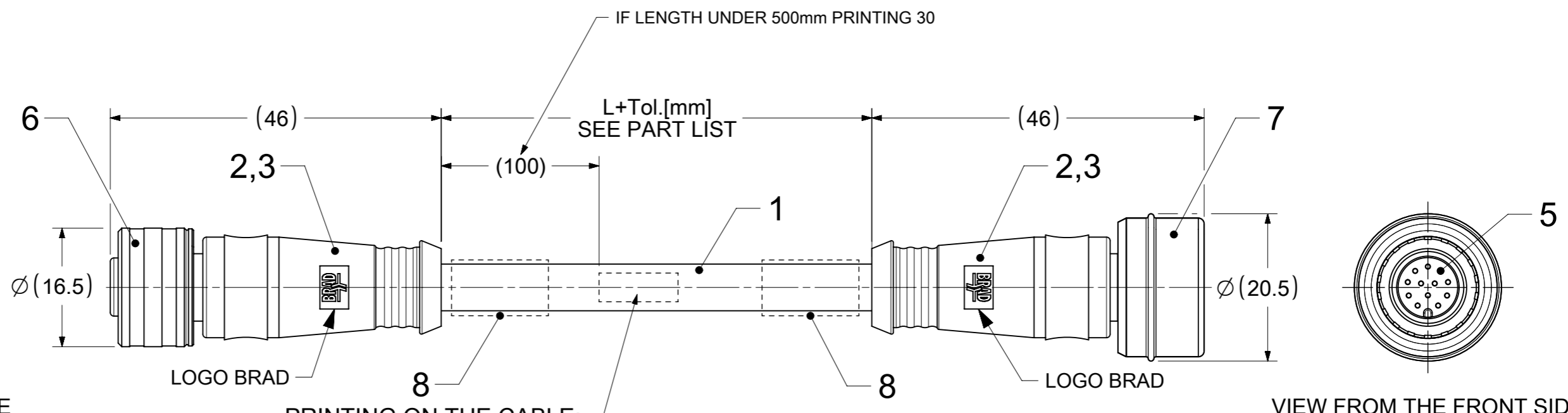
U12 12 POLE MALE



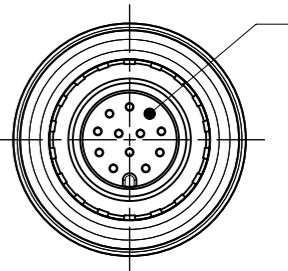
VIEW FROM THE FRONT SIDE

PIN	WIRE COLOR
1	WH
2	BN
3	GN
4	YE
5	GY
6	PK
7	BU
8	RD
9	BK
10	VT
11	GY/PK
12	RD/BU

SHIELD CONNECTED TO THE HOUSING



VIEW FROM THE FRONT SIDE



VIEW FROM THE FRONT SIDE

PART LIST

MOLEX PN	ENGINEERING No	OVERMOULD	L+Tol. [mm]
1200835020	WWCS30P45M020	YELLOW	2000 +89
1200835022	WWCS30P45M050	YELLOW	5000 +165
1200835044	WWCS30P45M010	YELLOW	1000 +56
1200835386	WWCS30P45M100	YELLOW	10000 +317
1200210006	WWCS30P45M030G	BLACK	3000 +89
1200835045	WWCS30P45M010G	BLACK	1000 +56
1200835293	WWCS30P45M020G	BLACK	20000 +610

BOM

ITEM	QTY.	DESCRIPTION	MATERIAL	COLOR/FINISH
8	2	I/D CARRIER	-	-
7	1	MALE ULTRALOCK ASSEMBLY	-	-
6	1	FEMALE ULTRALOCK ASSEMBLY	-	-
5	12	MALE CONTACT	BRASS	Au OVER Ni-PLATED
4	12	EMALE CONTACT	BRASS	Au OVER Ni-PLATED
3	1	SLEEVE SHIELD	BRASS	Ni-PLATED
2	-	OVERMOULD	TPU	BLACK/YELLOW
1	-	CABLE	PUR	BLACK
ITEM	QTY.	DESCRIPTION	MATERIAL	COLOR/FINISH

DOCUMENT STATUS	P1	RELEASE DATE	2022/04/22	06:35:54
-----------------	----	--------------	------------	----------

NOTES :
RATED VOLTAGE : 30V AC/DC
RATED CURRENT : 1.5 Amps
CONTACT RESISTANCE : <5 mOhm
IP RATING : IP67
TEMPERATURE RANGE : -25°C TO +90°C

FUNCTIONAL SYMBOLS	THIS DRAWING CONTAINS INFORMATION THAT IS PROPRIETARY TO MOLEX ELECTRONIC TECHNOLOGIES, LLC AND SHOULD NOT BE USED WITHOUT WRITTEN PERMISSION	SCALE	CURRENT REV DESC:		
	mm	3:2	EC NO: 703538		
DIVISIONAL SYMBOLS	GENERAL TOLERANCES (UNLESS SPECIFIED)	DRWN: SSM 2022/04/05			
	ANGULAR TOL ± 1.0°	CHK'D: RSILLER 2022/04/22			
4 PLACES ±	APPR: RSILLER 2022/04/22				
3 PLACES ±	INITIAL REVISION:				
2 PLACES ± 0.05	DRWN: SSM 2022/04/05				
1 PLACE ± 0.3	APPR: RSILLER 2022/04/22				
0 PLACES ± 0.5	THIRD ANGLE PROJECTION				
DRAFT WHERE APPLICABLE MUST REMAIN WITHIN DIMENSIONS	DRAWING	SERIES	MATERIAL NUMBER	CUSTOMER	SHEET NUMBER
	A3-SIZE	120083	SEE PART LIST	GENERAL MARKET	1 OF 1



MIC 12P MFE ULCK XM ST/ST

PRODUCT CUSTOMER DRAWING

DOCUMENT NUMBER: 1200835045

DOC TYPE: PSD, DOC PART: 000, REVISION: A