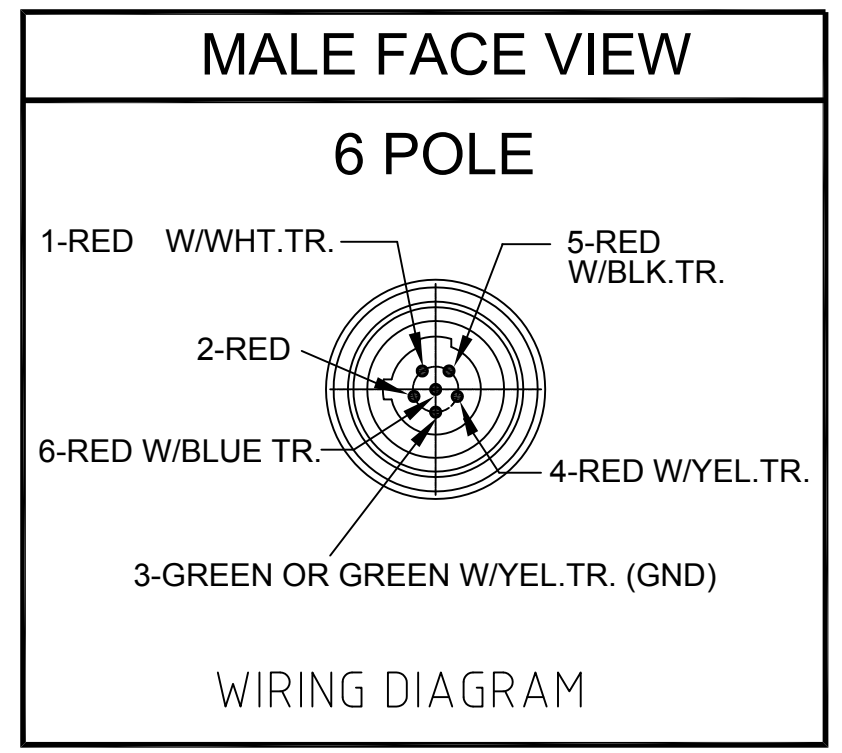


POL	MATERIAL NUMBER	ENGINEERING NUMBER	FINISHED LENGTH
6	1200720616	706006D02F060	6.00' +3.50" -0 [1.8M +88.9 -0]

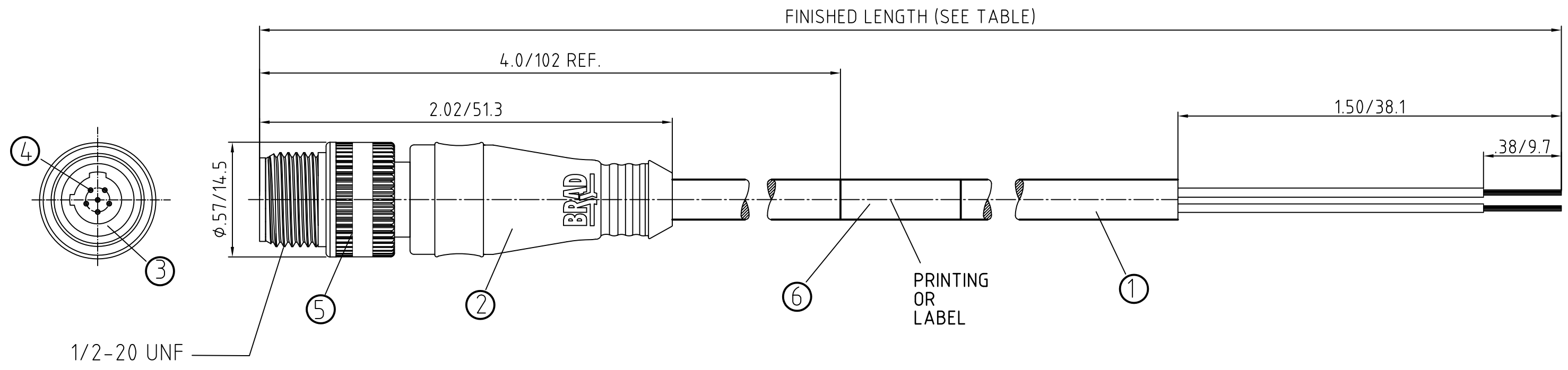
**CONNECTOR SPECIFICATION:**

VOLTAGE RATING	250 VAC/VDC
AMPERAGE RATING	max. 4 AMPS
PROTECTION	IP67
OPERATING TEMPERATURE	-20°C TO 105°C
UL CERTIFICATIONS	UL LISTED, FILE NO. E152210
CSA CERTIFICATIONS	CSA CERTIFIED, FILE NO. LR6837



ITEM	COMPONENT	MATERIAL	FINISH
6	LABLE	MYLAR	BLACK/YELLOW
5	COUPLER	ZINC DIE CAST/ BRASS	BLACK E-COATED/ NICKEL PLATED
4	PIN CONTACT	COPPER ALLOY	GOLD OVER NICKEL
3	INSERT	NYLON	BLACK
2	OVERMOLD	PVC	YELLOW
1	CABLE- 22 AWG (26x#36 COPPER STRANDING) 6 CONDUCTORS BRAID SHIELD 300V	PVC	YELLOW

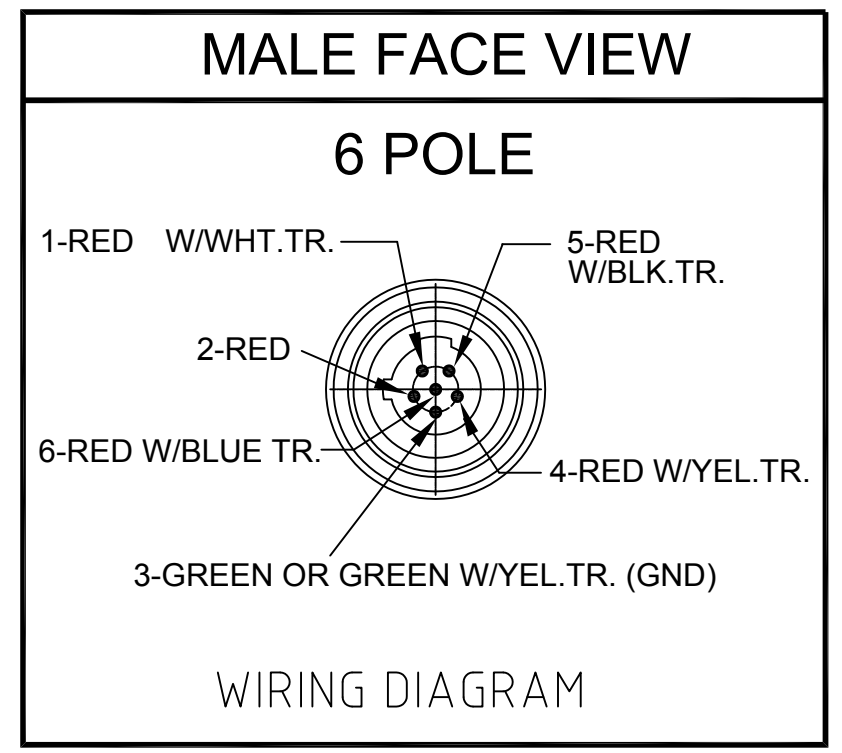
DESCRIPTION EC NO: WEU2010-0417 DRWN: LSTEMMLE CH'KD: NS APPR: FPACHER 08.03.10 2010/03/10	QUALITY SYMBOLS ▽ = 0 ▽/C = 0	GENERAL TOLERANCES (UNLESS SPECIFIED)	DIMENSION STYLE IN/MM	SCALE 2:1	DESIGN UNITS METRIC	THIRD ANGLE PROJECTION
	DRAFT WHERE APPLICABLE MUST REMAIN WITHIN DIMENSIONS	4 PLACES ±--- ±--- 3 PLACES ±--- ±--- 2 PLACES ±--- ±.01 1 PLACE ±0.3 ±--- ANGULAR ± --- °	DRAWN BY DATE LSTEMMLE 2010/02/08 CHECKED BY DATE FP 2010/03/09 APPROVED BY DATE FPACHER 2010/03/09	SEE TABLE	MICRO-CHANGE CORDSET 6-P DUAL KEYWAY MA STR BRAID SHIELD PVC CABLE	MOLEX INCORPORATED
2 REV		THIS DRAWING CONTAINS INFORMATION THAT IS PROPRIETARY TO MOLEX INCORPORATED AND SHOULD NOT BE USED WITHOUT WRITTEN PERMISSION	SIZE A3	DOCUMENT NO. SD-120072-015		



POL	MATERIAL NUMBER	ENGINEERING NUMBER	FINISHED LENGTH
6	1200720616	706006D02F060	6.00' +3.50" -0 [1.8M +88.9 -0]

**CONNECTOR SPECIFICATION:**

VOLTAGE RATING	250 VAC/VDC
AMPERAGE RATING	max. 4 AMPS
PROTECTION	IP67
OPERATING TEMPERATURE	-20°C TO 105°C
UL CERTIFICATIONS	UL LISTED, FILE NO. E152210
CSA CERTIFICATIONS	CSA CERTIFIED, FILE NO. LR6837



ITEM	COMPONENT	MATERIAL	FINISH
6	LABLE	MYLAR	BLACK/YELLOW
5	COUPLER	ZINC DIE CAST/ BRASS	BLACK E-COATED/ NICKEL PLATED
4	PIN CONTACT	COPPER ALLOY	GOLD OVER NICKEL
3	INSERT	NYLON	BLACK
2	OVERMOLD	PVC	YELLOW
1	CABLE- 22 AWG (26x#36 COPPER STRANDING) 6 CONDUCTORS BRAID SHIELD 300V	PVC	YELLOW

DESCRIPTION EC NO: WEU2010-0417 DRWN: LSTEMMLE CH'KD: NS APPR: FPACHER 08.03.10 2010/03/10	QUALITY SYMBOLS ▽ = 0 ▽/C = 0	GENERAL TOLERANCES (UNLESS SPECIFIED)	DIMENSION STYLE IN/MM	SCALE 2:1	DESIGN UNITS METRIC	THIRD ANGLE PROJECTION
	DRAFT WHERE APPLICABLE MUST REMAIN WITHIN DIMENSIONS	SEE TABLE	DRAWN BY LSTEMMLE DATE 2010/02/08	CHECKED BY FP DATE 2010/03/09	MICRO-CHANGE CORDSET 6-P DUAL KEYWAY MA STR BRAID SHIELD PVC CABLE	
2 REV	SIZE A3	MATERIAL NO. SD-120072-015	APPROVED BY FPACHER DATE 2010/03/09	DOCUMENT NO.	SHEET NO. 1 OF 1	MOLEX INCORPORATED THIS DRAWING CONTAINS INFORMATION THAT IS PROPRIETARY TO MOLEX INCORPORATED AND SHOULD NOT BE USED WITHOUT WRITTEN PERMISSION