

## Screw plug

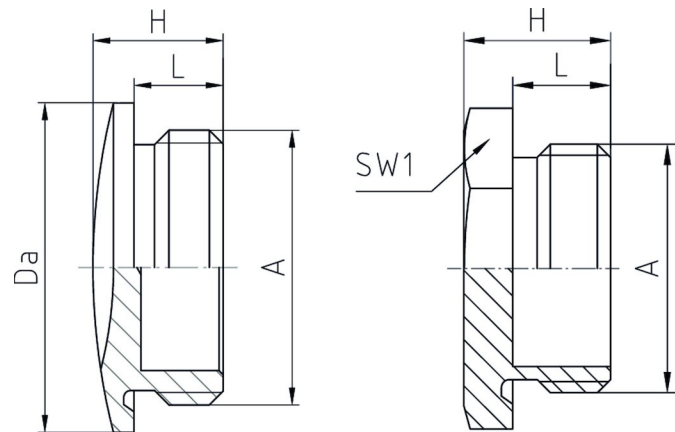
10.xx15

<b>Screw plug</b>	Brass CuZn39Pb3, nickel-plated
<b>Connecting thread</b>	metric, as per EN 60423



### Properties

<b>Temperature range</b>	-60 °C +200 °C
<b>Protection grade</b>	max. IP65
	• for secure sealing of unused threaded or clearance hole




### Features

round

A	L	Da	H	VPE	Part No.
M12x1,0	4,5	16	7,5	100	10.1210
M12x1,5	5	16	8	100	10.1215
M16x1,5	6	20	9	100	10.1615
M20x1,5	6,5	24	9,5	100	10.2015
M25x1,5	7	28	11	100	10.2515
M32x1,5	8	35	12	50	10.3215
M40x1,5	8	45	12	50	10.4015
M50x1,5	9	55	15	25	10.5015
M63x1,5	10	68	16	10	10.6315
M75x1,5	11	80	17	5	10.7515

hexagonal

A	L	SW1	H	 VPE	Part No.
M12x1,5	5	14	7,5	100	10.61215
M16x1,5	5	18	8	100	10.61615
M20x1,5	6	22	9	100	10.62015
M25x1,5	6,5	28	10	100	10.62515
M32x1,5	7	35	10,5	50	10.63215
M40x1,5	8	44	12	50	10.64015