

Main

Range of Product	Telemecanique Radio frequency identification XG
Product or Component Type	Connection Profibus box
Device short name	XGSZ33
Number of Channels	3
Communication port protocol	Profibus DP V1
Associated smart antenna	XGCS49 XGCS89
Electrical connection	1 female connector M12 4 pins PC connection A encoding) 1 female connector M12 5 pins network output B encoding) 1 male connector M12 4 pins power supply A encoding) 1 male connector M12 5 pins network input B encoding) 3 female connectors M12 5 pins stations XGCS A encoding)
[Us] rated supply voltage	24 V DC Protective Extra Low Voltage

Complementary

Supply voltage limits	21.6...26.4 V DC
Power Consumption in W	2.5 W
Status LED	Diagnostics 1 dual color LED red/green) RFID communication 1 dual color LED red/green) Communication network 1 LED green) Diagnostics 1 LED red)
Communication Service	Cyclical variable exchange
Register words	1...49 words
Transmission support medium	2 twisted shielded pairs cable
Transmission Rate	9.6 kbit/s...12000 kbit/s
Marking	CE
Net Weight	2.34 lb(US) (1.06 kg)

Environment

Product Certifications	Profibus
Ambient Air Temperature for Operation	32...131 °F (0...55 °C)
Ambient Air Temperature for Storage	-13...185 °F (-25...85 °C)
Relative humidity	30...95 %
IP Degree of Protection	IP65
EMC filter	Class B EMC filter EN 55022 Level 3 EMC filter IEC 61000

Ordering and shipping details

Category	22491-SENS,IDENTIFICATION DEVICE (XGK)
Discount Schedule	DS2
GTIN	3389119041775
Nbr. of units in pkg.	1
Package weight(Lbs)	2.22 lb(US) (1.005 kg)
Returnability	No
Country of origin	FR

Packing Units

Unit Type of Package 1	PCE
Package 1 Height	2.83 in (7.2 cm)
Package 1 width	6.38 in (16.2 cm)
Package 1 Length	9.45 in (24 cm)
Unit Type of Package 2	S03
Number of Units in Package 2	3
Package 2 Weight	7.90 lb(US) (3.583 kg)
Package 2 Height	11.81 in (30 cm)
Package 2 width	11.81 in (30 cm)
Package 2 Length	15.75 in (40 cm)

Offer Sustainability

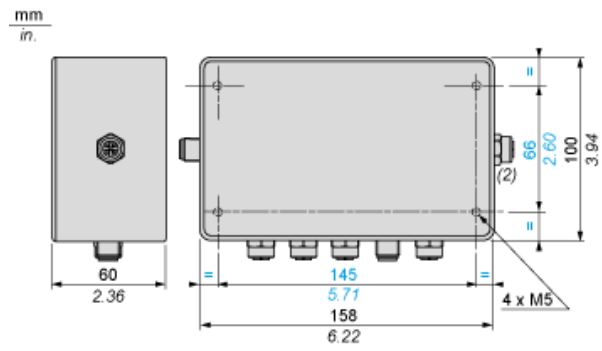
Sustainable offer status	Green Premium product
California proposition 65	WARNING: This product can expose you to chemicals including: Diisononyl phthalate (DINP), which is known to the State of California to cause cancer, and Di-isodecyl phthalate (DIDP), which is known to the State of California to cause birth defects or other reproductive harm. For more information go to www.P65Warnings.ca.gov
REACH Regulation	REACH Declaration
EU RoHS Directive	Pro-active compliance (Product out of EU RoHS legal scope) EU RoHS Declaration
Mercury free	Yes
RoHS exemption information	Yes
Environmental Disclosure	Product Environmental Profile
Circularity Profile	End Of Life Information

Contractual warranty

Warranty	18 months
----------	-----------

Dimensions

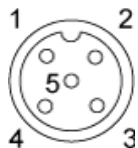
Connection Boxes



Wiring Diagram

PROFIBUS-DP Connections

Socket to Smart Antenna Cabling



Pin no.	Signal
1	Earth
2	+ 24 VDC
3	0 V
4	D0
5	D1

Socket to Power Supply Cabling

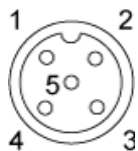


Pin no.	Signal
1	+ 24 VDC
2	+ 24 VDC
3	0 V
4	0 V

PROFIBUS-DP network connections (Input)



PROFIBUS-DP network connections (Output)



Pin no.	Signal	Description
1	VP	Line terminator polarization
2	RxD/TxD-N	Receive/transmit data (-) (red wire)
3	DGND	GND PROFIBUS
4	RxD/TxD-P	Receive/transmit data (+) (green wire)
5	Shielding	Shielding or earth
Connector casing	Shielding	Shielding or earth