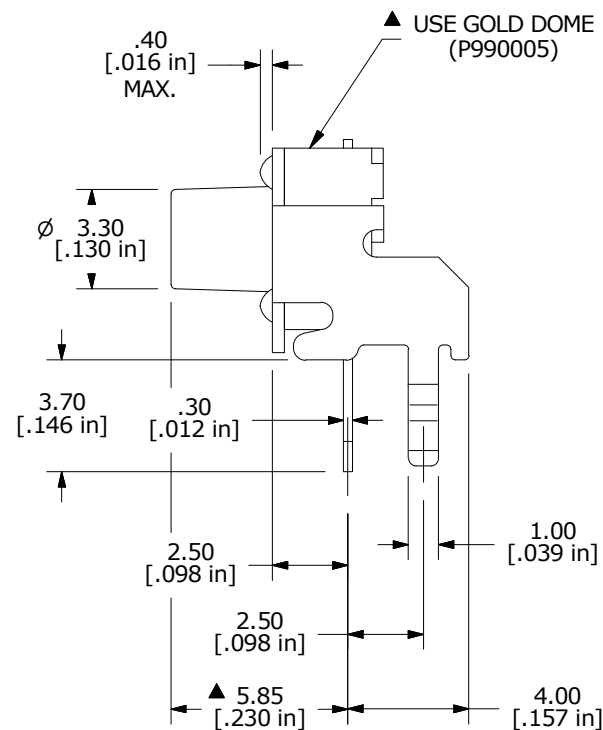
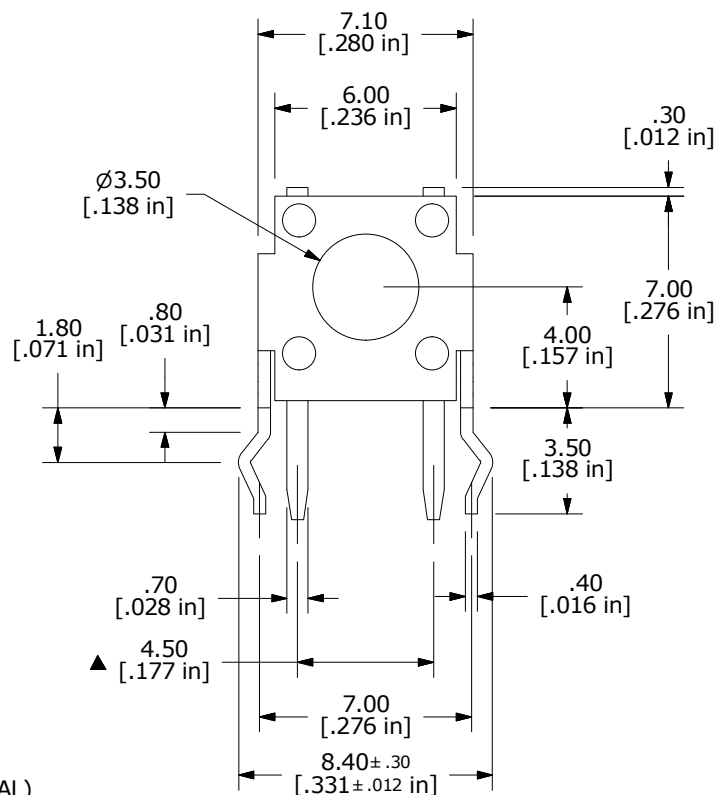
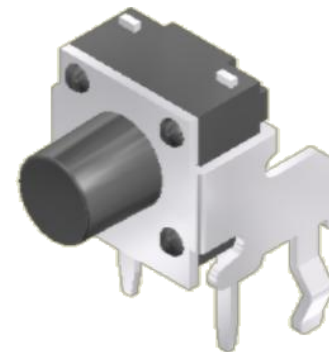
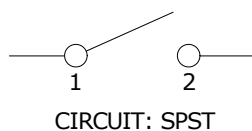


P.C.B. LAYOUT



NOTES:

1. ALL DIMENSIONS IN MM
2. GENERAL TOLERANCE: X.X = ±0.4
X.XX = ±0.25
3. TERM. NOS. FOR REFERENCE ONLY.
4. CONTACT MATERIAL: GOLD
5. RATING: 50mA, @ 12VDC
- ▲ 6. OPERATING FORCE: 160 ±50gf
7. TRAVEL: 0.25mm ±0.1mm
8. CONTACT RESISTANCE: 100 mΩ MAX. (INITIAL)
9. ELECTRICAL LIFE: 100,000 CYCLES MIN.
10. ▲ DENOTES CRITICAL PARAMETER



E	22831	update drawing	5/2/17	MW
REV	PCR NO	DESCRIPTION	DATE	BY

TITLE TL1105XF160R				
SCALE	DATE	DR	DWG	REV
4:1	1/3/2012	BGL	P020229	E

THE INFORMATION CONTAINED IN THIS DOCUMENT IS PROPRIETARY TO E-SWITCH AND IS NOT TO BE COPIED OR TRANSFERRED