

Customer Information Sheet

DRAWING No.: M20-877XXXXP

SHEET 2 OF 2

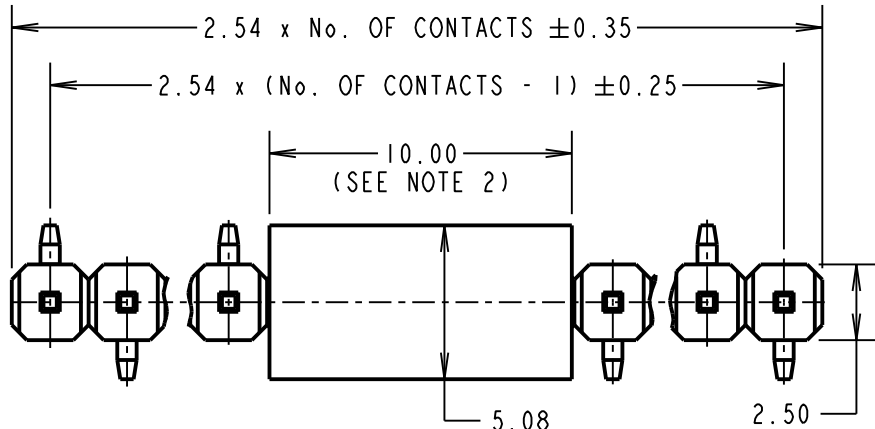
IF IN DOUBT - ASK

(C)

NOT TO SCALE

THIRD ANGLE PROJECTION

ALL DIMENSIONS IN mm



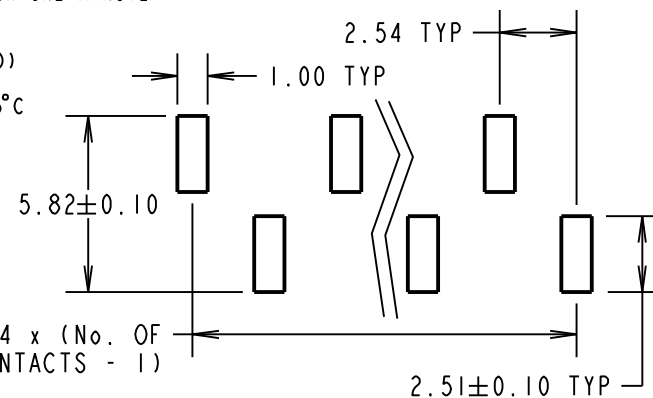
SPECIFICATION:

MATERIAL:
 MOULDING = PA6T UL94V-0, BLACK
 CONTACT = BRASS
FINISH (OVER NICKEL):
 42 = GOLD ON CONTACT AREA,
 100% TIN ON TAILS
 46 = 100% TIN
ELECTRICAL:
 CURRENT RATING = 3A MAX
 CONTACT RESISTANCE = 20mΩ MAX
 INSULATION RESISTANCE = 1,000MΩ MIN
 VOLTAGE RATING = 250V AC/DC
 WITHSTANDING VOLTAGE = 500V AC FOR ONE MINUTE
MECHANICAL:
 DURABILITY = 50 OPERATIONS (TIN)
 300 OPERATIONS (GOLD)
ENVIRONMENTAL:
 TEMPERATURE RANGE = -40°C TO +105°C
PACKING:
 BAG
 FOR COMPLETE SPECIFICATION,
 SEE COMPONENT SPECIFICATION
 C001XX (LATEST ISSUE)

NOTES:

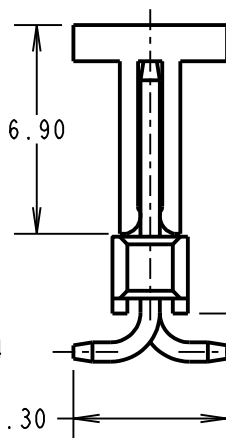
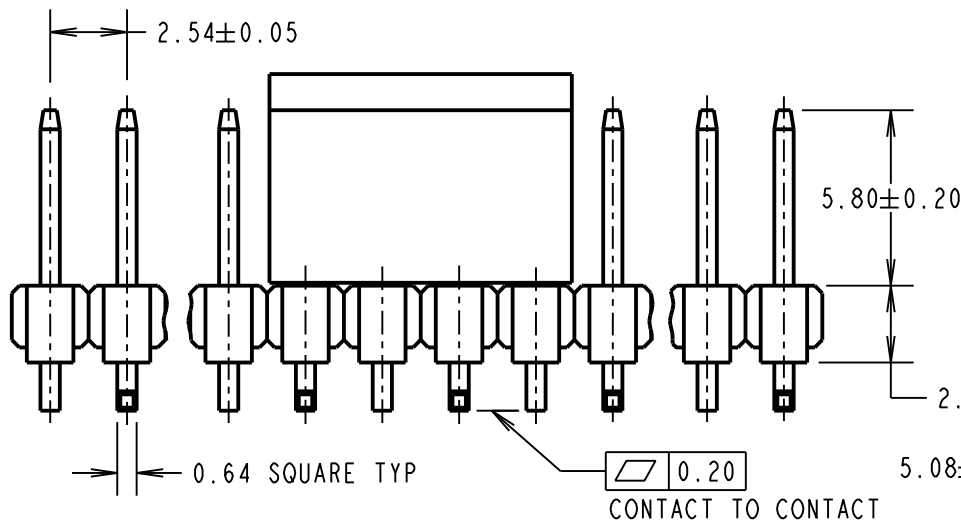
- SEE DRAWING M20-877XXXXR FOR TAPE AND REELED VERSION, M20-877XXXX FOR STANDARD PRODUCT.
- FOR 4 CONTACTS AND LESS, CAP LENGTH = 6.00mm.
- ALL TOLERANCES ARE ±0.15mm UNLESS OTHERWISE STATED.

RECOMMENDED PAD LAYOUT (TOLERANCE = ±0.05)



OBSOLETE
 All other size/finish combinations not listed as active

Active products:
 M20-870242P
 M20-8770542P
 M20-8770746P
 M20-8771042P



ORDER CODE:
M20-877XXXXP
 No. OF CONTACTS: _____
 02 TO 20
FINISH:
 42 = SELECTIVE GOLD + 100% TIN
 46 = 100% TIN

WJP	8	01.08.17	20398
NAME	ISS.	DATE	C/NOTE
APPROVED: W. J. PRESTON			
CHECKED: M. PLESTED			
DRAWN: J. KEIR			
CUSTOMER REF.:			
ASSEMBLY DRG:			

HARWIN

www.harwin.com
 technical@harwin.com

THIS DRAWING AND ANY INFORMATION OR DESCRIPTIVE MATTER SET OUT HEREON ARE CONFIDENTIAL AND COPYRIGHT PROPERTY OF THE HARWIN GROUP AND MUST NOT BE DISCLOSED, LOANED, COPIED OR USED FOR MANUFACTURING, TENDERING OR FOR ANY OTHER PURPOSE WITHOUT THEIR WRITTEN PERMISSION.

TOLERANCES
~~X = ±1mm~~
~~X.X = ±0.50mm~~
~~X.XX = ±0.10mm~~
~~X.XXX = ±0.01mm~~
 ANGLES = ±5°
 UNLESS STATED

MATERIAL:
 SEE ABOVE
FINISH: SEE ABOVE
S/AREA: mm²

TITLE: 2.54mm PITCH SIL SMT PIN HEADER ASSEMBLY WITH PICK & PLACE CAP
DRAWING NUMBER: M20-877XXXXP
 SHT 2 OF 2