

# LA E65F dual binning

## Power TOPLED® Lens

PowerTOPLED with lens, a powerful member of the TOPLED family. Thanks to their high luminous efficacy, the LEDs are ideal for rear light clusters and indicators on vehicles.



## Applications

- Signalling

## Features:

- Package: white PLCC-4 package, colorless clear resin
- Chip technology: Thinfilm
- Typ. Radiation: 60°
- Color:  $\lambda_{\text{dom}} = 617 \text{ nm}$  (● amber)
- Corrosion Robustness Class: 3B
- Qualifications: AEC-Q102 Qualified
- ESD: 2 kV acc. to ANSI/ESDA/JEDEC JS-001 (HBM, Class 2)

---

## Ordering Information

| Type                             | Luminous Intensity <sup>1)</sup><br>$I_F = 4 \text{ mA}$<br>$I_v$ | Luminous Intensity <sup>1)</sup><br>$I_F = 50 \text{ mA}$<br>$I_v$ | Ordering Code |
|----------------------------------|-------------------------------------------------------------------|--------------------------------------------------------------------|---------------|
| LA E65F-T2V2-1-2A2B+DBFA-24-3A4B | 355 ... 1120 mcd                                                  | 5600 ... 14000 mcd                                                 | Q65112A4802   |

---

## Maximum Ratings

| Parameter                                                                      | Symbol    |      | Values |
|--------------------------------------------------------------------------------|-----------|------|--------|
| Operating Temperature                                                          | $T_{op}$  | min. | -40 °C |
|                                                                                |           | max. | 100 °C |
| Storage Temperature                                                            | $T_{stg}$ | min. | -40 °C |
|                                                                                |           | max. | 100 °C |
| Junction Temperature                                                           | $T_j$     | max. | 125 °C |
| Forward current<br>$T_s = 25\text{ °C}$                                        | $I_F$     | max. | 70 mA  |
| Surge Current<br>$t \leq 10\ \mu\text{s}$ ; $D = 0.005$ ; $T_s = 25\text{ °C}$ | $I_{FS}$  | max. | 100 mA |
| Reverse voltage <sup>2)</sup><br>$T_s = 25\text{ °C}$                          | $V_R$     | max. | 12 V   |
| ESD withstand voltage<br>acc. to ANSI/ESDA/JEDEC JS-001 (HBM, Class 2)         | $V_{ESD}$ |      | 2 kV   |

## Characteristics

$I_F = 50 \text{ mA}$ ;  $T_S = 25 \text{ °C}$

| Parameter                                                                                            | Symbol                           |                      | Values                                 |
|------------------------------------------------------------------------------------------------------|----------------------------------|----------------------|----------------------------------------|
| Peak Wavelength                                                                                      | $\lambda_{\text{peak}}$          | typ.                 | 624 nm                                 |
| Dominant Wavelength <sup>3)</sup><br>$I_F = 50 \text{ mA}$                                           | $\lambda_{\text{dom}}$           | min.<br>typ.<br>max. | 612 nm<br>617 nm<br>624 nm             |
| Spectral Bandwidth at 50% $I_{\text{rel,max}}$                                                       | $\Delta\lambda$                  | typ.                 | 18 nm                                  |
| Viewing angle at 50% $I_V$                                                                           | $2\phi$                          | typ.                 | 60 °                                   |
| Forward Voltage <sup>4)</sup><br>$I_F = 50 \text{ mA}$                                               | $V_F$                            | min.<br>typ.<br>max. | 1.90 V<br>2.15 V<br>2.50 V             |
| Reverse current <sup>2)</sup><br>$V_R = 12 \text{ V}$                                                | $I_R$                            | typ.<br>max.         | 0.01 $\mu\text{A}$<br>10 $\mu\text{A}$ |
| Temperature Coefficient of Peak Wavelength<br>$-10\text{°C} \leq T \leq 100\text{°C}$                | $\text{TC}_{\lambda\text{peak}}$ | typ.                 | 0.14 nm / K                            |
| Real thermal resistance junction/solderpoint <sup>4)</sup>                                           | $R_{\text{thJS real}}$           | typ.<br>max.         | 110 K / W<br>130 K / W                 |
| Electrical thermal resistance junction/solderpoint <sup>5)</sup><br>with efficiency $\eta_e = 30 \%$ | $R_{\text{thJS elec.}}$          | typ.<br>max.         | 77 K / W<br>91 K / W                   |

## Brightness Groups

| Group | Luminous Intensity <sup>1)</sup><br>$I_F = 4 \text{ mA}$<br>min.<br>$I_v$ | Luminous Intensity. <sup>1)</sup><br>$I_F = 4 \text{ mA}$<br>max.<br>$I_v$ | Luminous Flux <sup>6)</sup><br>$I_F = 4 \text{ mA}$<br>typ.<br>$\Phi_v$ |
|-------|---------------------------------------------------------------------------|----------------------------------------------------------------------------|-------------------------------------------------------------------------|
| T2    | 355 mcd                                                                   | 450 mcd                                                                    | 450 mlm                                                                 |
| U1    | 450 mcd                                                                   | 560 mcd                                                                    | 560 mlm                                                                 |
| U2    | 560 mcd                                                                   | 710 mcd                                                                    | 700 mlm                                                                 |
| V1    | 710 mcd                                                                   | 900 mcd                                                                    | 890 mlm                                                                 |
| V2    | 900 mcd                                                                   | 1120 mcd                                                                   | 1120 mlm                                                                |

## Brightness Groups

| Group | Luminous Intensity <sup>1)</sup><br>$I_F = 50 \text{ mA}$<br>min.<br>$I_v$ | Luminous Intensity. <sup>1)</sup><br>$I_F = 50 \text{ mA}$<br>max.<br>$I_v$ | Luminous Flux <sup>6)</sup><br>$I_F = 50 \text{ mA}$<br>typ.<br>$\Phi_v$ |
|-------|----------------------------------------------------------------------------|-----------------------------------------------------------------------------|--------------------------------------------------------------------------|
| DB    | 5600 mcd                                                                   | 7100 mcd                                                                    | 7050 mlm                                                                 |
| EA    | 7100 mcd                                                                   | 9000 mcd                                                                    | 8940 mlm                                                                 |
| EB    | 9000 mcd                                                                   | 11200 mcd                                                                   | 11210 mlm                                                                |
| FA    | 11200 mcd                                                                  | 14000 mcd                                                                   | 13990 mlm                                                                |

## Forward Voltage Groups

| Group | Forward Voltage <sup>4)</sup><br>$I_F = 4 \text{ mA}$<br>min.<br>$V_F$ | Forward Voltage <sup>4)</sup><br>$I_F = 4 \text{ mA}$<br>max.<br>$V_F$ |
|-------|------------------------------------------------------------------------|------------------------------------------------------------------------|
| 2A    | 1.65 V                                                                 | 1.80 V                                                                 |
| 2B    | 1.80 V                                                                 | 1.95 V                                                                 |

## Forward Voltage Groups

| Group | Forward Voltage <sup>4)</sup><br>$I_F = 50 \text{ mA}$<br>min.<br>$V_F$ | Forward Voltage <sup>4)</sup><br>$I_F = 50 \text{ mA}$<br>max.<br>$V_F$ |
|-------|-------------------------------------------------------------------------|-------------------------------------------------------------------------|
| 3A    | 1.90 V                                                                  | 2.05 V                                                                  |
| 3B    | 2.05 V                                                                  | 2.20 V                                                                  |
| 4A    | 2.20 V                                                                  | 2.35 V                                                                  |
| 4B    | 2.35 V                                                                  | 2.50 V                                                                  |

## Wavelength Groups

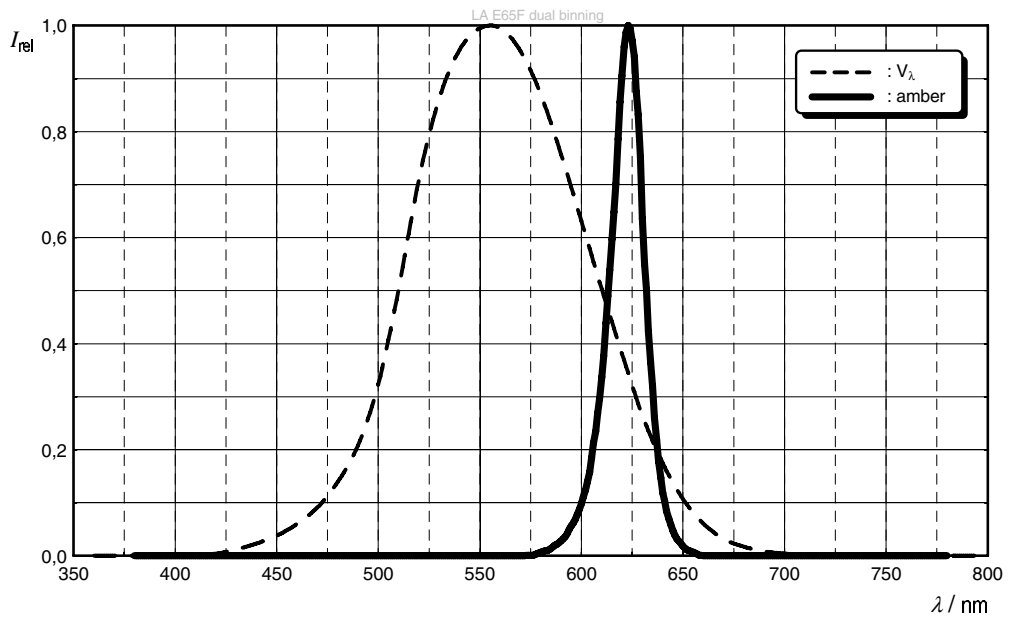
| Group | Dominant Wavelength <sup>3)</sup><br>$I_F = 4 \text{ mA}$<br>min.<br>$\lambda_{\text{dom}}$ | Dominant Wavelength <sup>3)</sup><br>$I_F = 4 \text{ mA}$<br>max.<br>$\lambda_{\text{dom}}$ |
|-------|---------------------------------------------------------------------------------------------|---------------------------------------------------------------------------------------------|
| 1     | 611 nm                                                                                      | 624 nm                                                                                      |

## Wavelength Groups

| Group | Dominant Wavelength <sup>3)</sup><br>$I_F = 50 \text{ mA}$<br>min.<br>$\lambda_{\text{dom}}$ | Dominant Wavelength <sup>3)</sup><br>$I_F = 50 \text{ mA}$<br>max.<br>$\lambda_{\text{dom}}$ |
|-------|----------------------------------------------------------------------------------------------|----------------------------------------------------------------------------------------------|
| 2     | 612 nm                                                                                       | 616 nm                                                                                       |
| 3     | 616 nm                                                                                       | 620 nm                                                                                       |
| 4     | 620 nm                                                                                       | 624 nm                                                                                       |

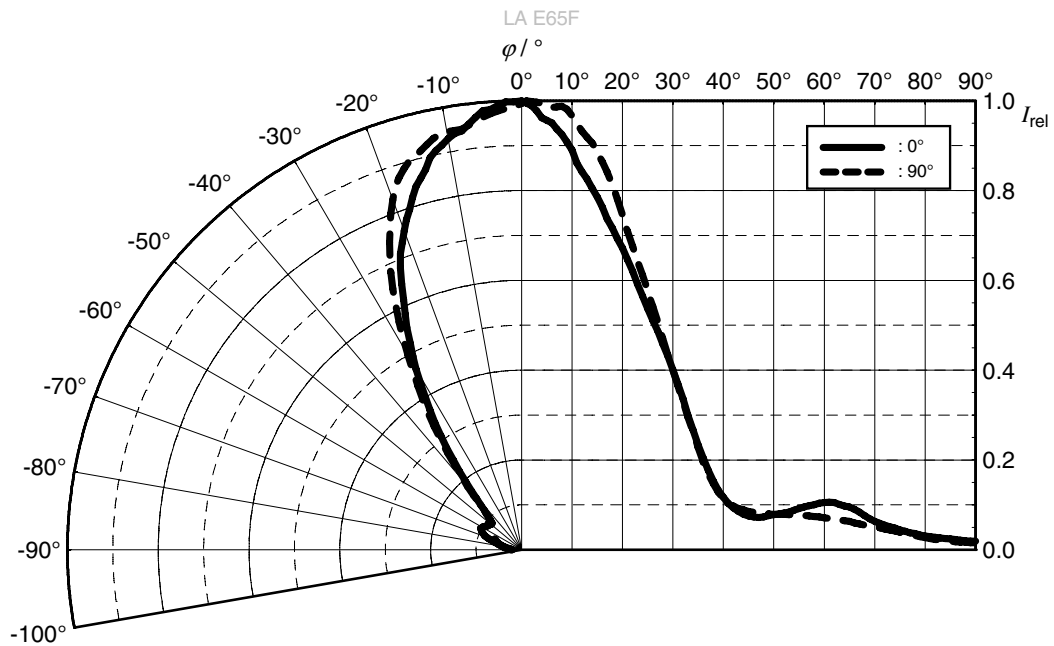
### Relative Spectral Emission <sup>6)</sup>

$I_{rel} = f(\lambda); I_F = 50 \text{ mA}; T_S = 25 \text{ }^\circ\text{C}$



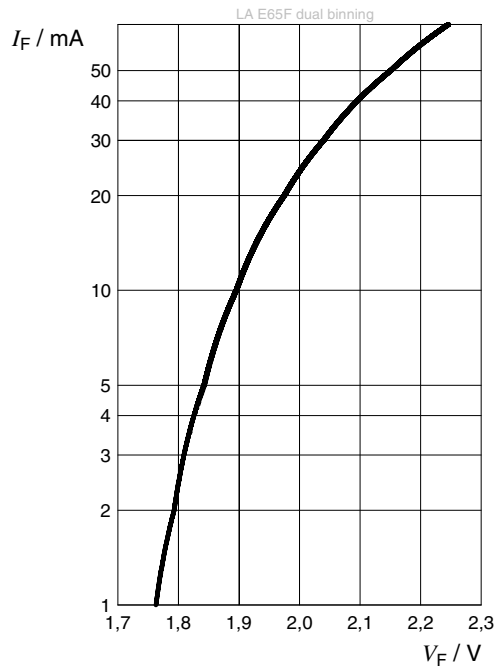
### Radiation Characteristics <sup>6)</sup>

$I_{rel} = f(\phi); T_S = 25 \text{ }^\circ\text{C}$



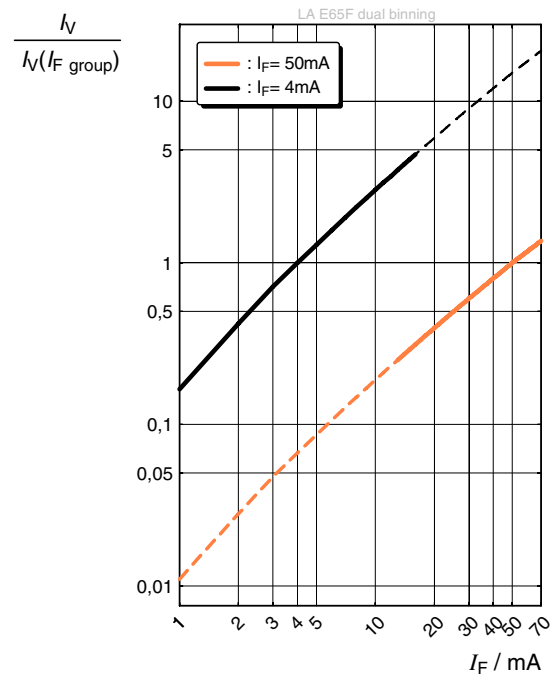
**Forward current** <sup>6), 7)</sup>

$$I_F = f(V_F); T_S = 25 \text{ }^\circ\text{C}$$



**Relative Luminous Intensity** <sup>6), 7)</sup>

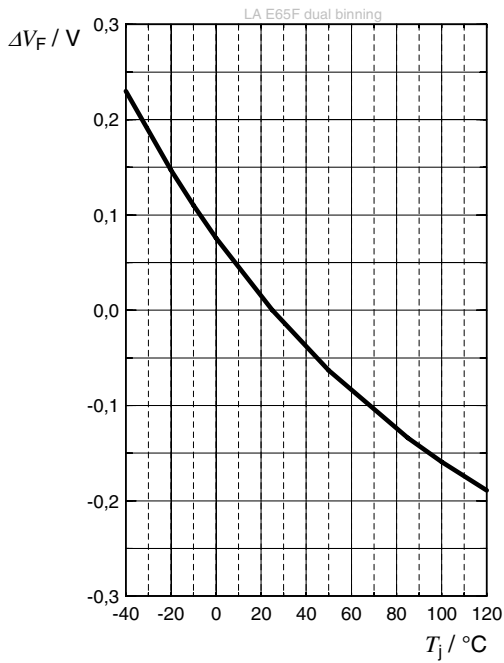
$$I_V / I_V(I_{F \text{ group}}) = f(I_F); T_S = 25 \text{ }^\circ\text{C}$$





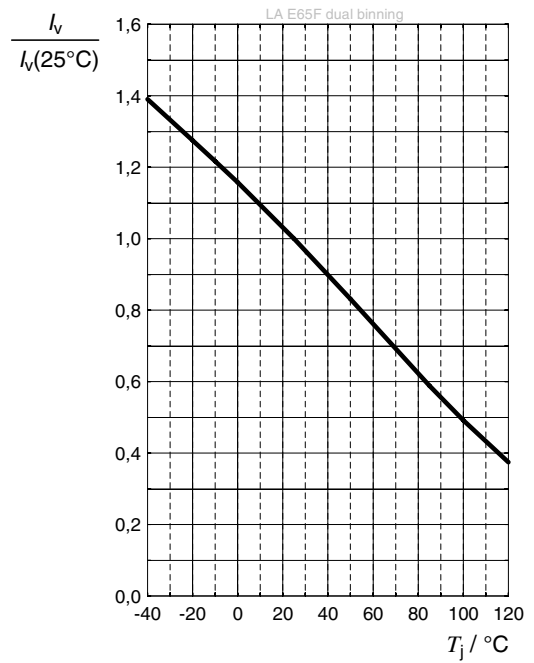
### Forward Voltage <sup>6)</sup>

$$\Delta V_F = V_F - V_F(25^\circ\text{C}) = f(T_j); I_F = 50\text{ mA}$$



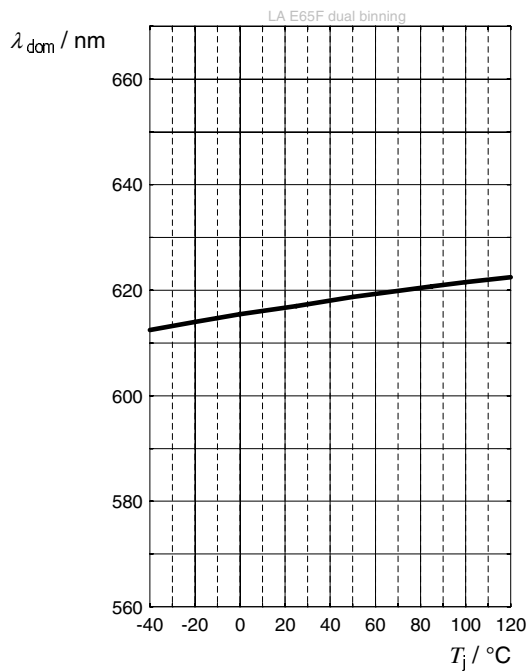
### Relative Luminous Intensity <sup>6)</sup>

$$I_V / I_V(25^\circ\text{C}) = f(T_j); I_F = 50\text{ mA}$$



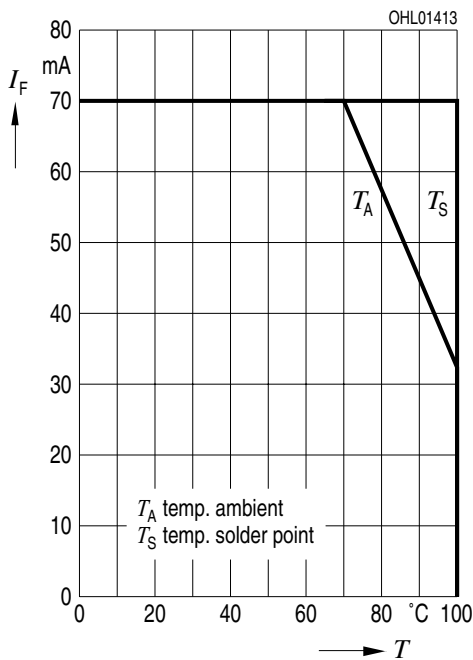
### Dominant Wavelength <sup>6)</sup>

$$\lambda_{\text{dom}} = f(T_j); I_F = 50\text{ mA}$$



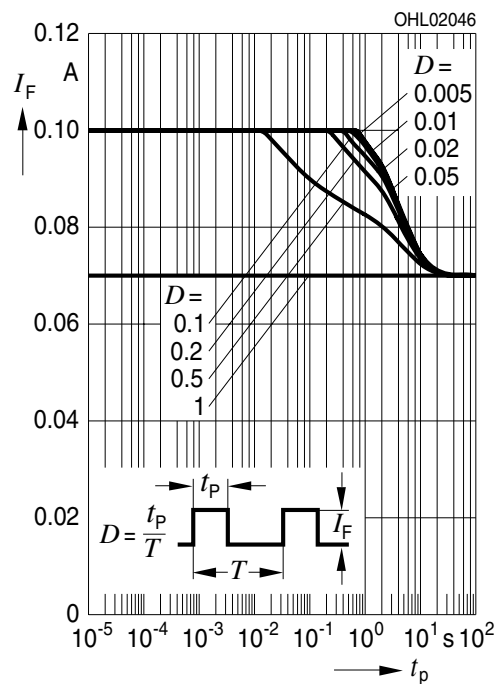
## Max. Permissible Forward Current

$$I_F = f(T)$$



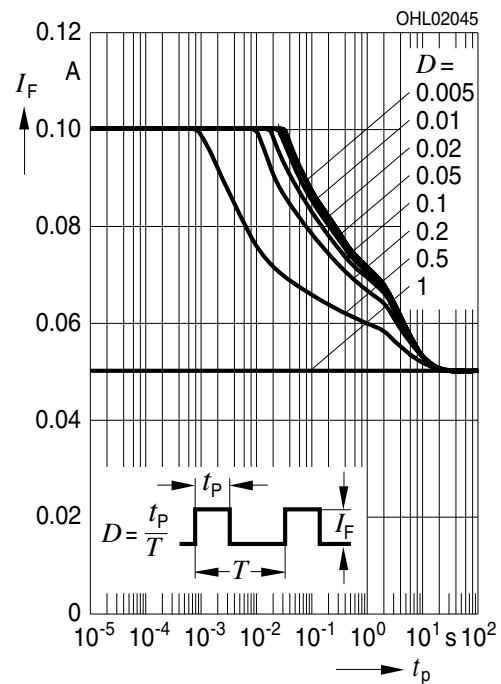
## Permissible Pulse Handling Capability

$$I_F = f(t_p); D: \text{Duty cycle}; T_A = 25^\circ\text{C}$$

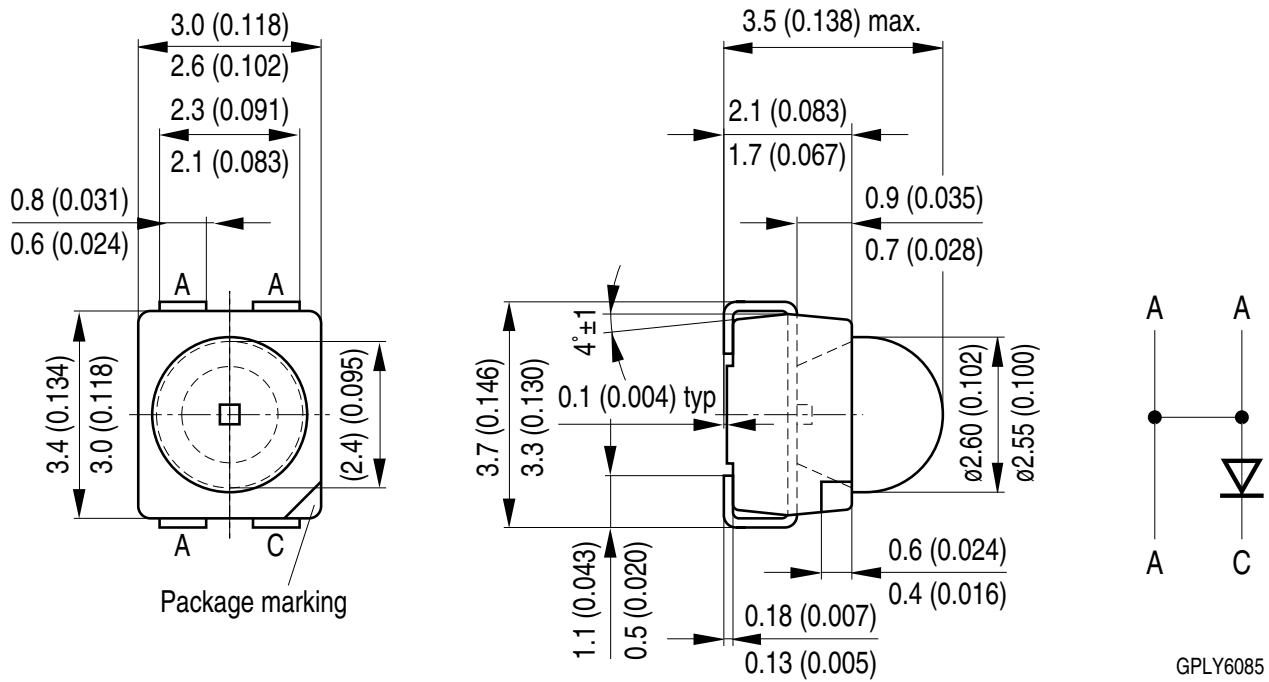


## Permissible Pulse Handling Capability

$$I_F = f(t_p); D: \text{Duty cycle}; T_A = 85^\circ\text{C}$$



## Dimensional Drawing <sup>8)</sup>



GPLY6085

## Further Information:

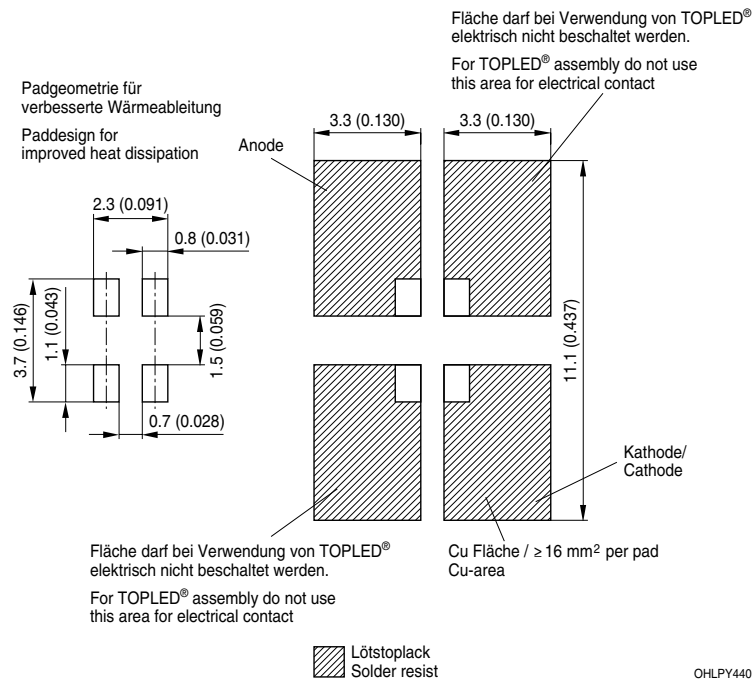
**Approximate Weight:** 38.0 mg

**Package marking:** Cathode

**Corrosion test:** Class: 3B

Test condition: 40°C / 90 % RH / 15 ppm H<sub>2</sub>S / 14 days (stricter than IEC 60068-2-43)

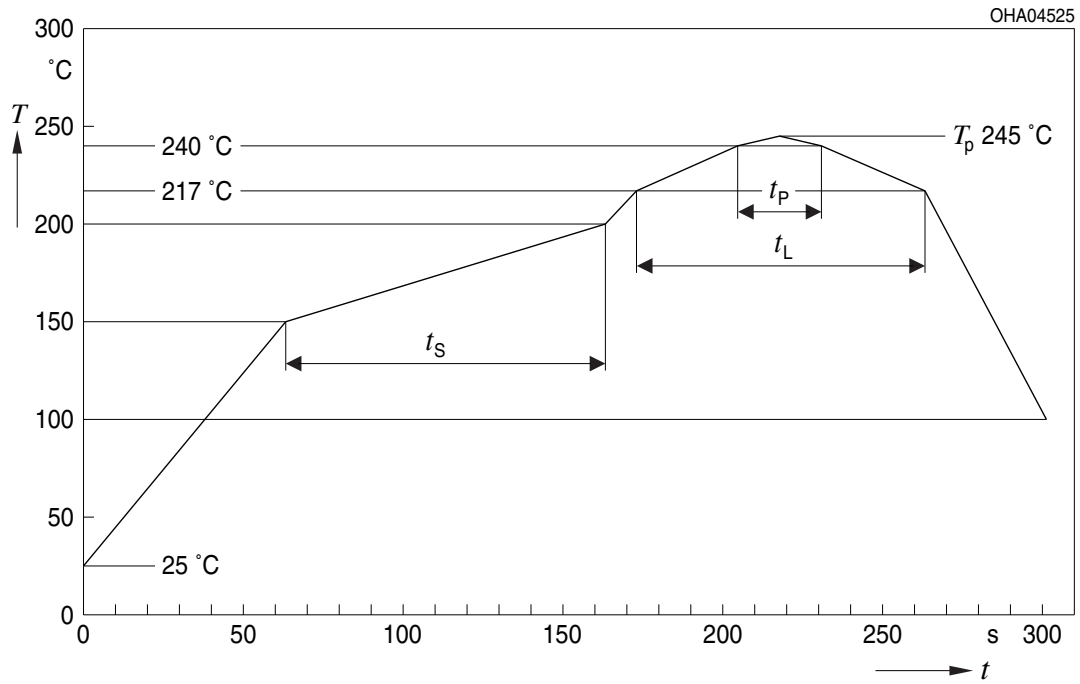
## Recommended Solder Pad <sup>8)</sup>



For superior solder joint connectivity results we recommend soldering under standard nitrogen atmosphere. Package not suitable for ultra sonic cleaning.

## Reflow Soldering Profile

Product complies to MSL Level 2 acc. to JEDEC J-STD-020E

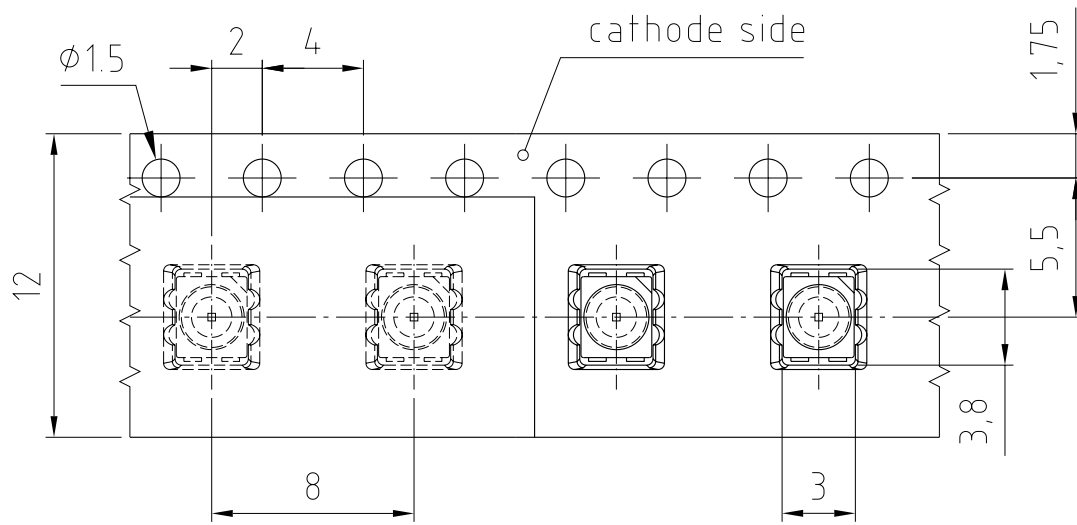


| Profile Feature                                                        | Symbol | Pb-Free (SnAgCu) Assembly |                |         | Unit |
|------------------------------------------------------------------------|--------|---------------------------|----------------|---------|------|
|                                                                        |        | Minimum                   | Recommendation | Maximum |      |
| Ramp-up rate to preheat <sup>*)</sup><br>25 °C to 150 °C               |        |                           | 2              | 3       | K/s  |
| Time $t_s$<br>$T_{Smin}$ to $T_{Smax}$                                 | $t_s$  | 60                        | 100            | 120     | s    |
| Ramp-up rate to peak <sup>*)</sup><br>$T_{Smax}$ to $T_p$              |        |                           | 2              | 3       | K/s  |
| Liquidus temperature                                                   | $T_L$  |                           | 217            |         | °C   |
| Time above liquidus temperature                                        | $t_L$  |                           | 80             | 100     | s    |
| Peak temperature                                                       | $T_p$  |                           | 245            | 250     | °C   |
| Time within 5 °C of the specified peak temperature $T_p - 5 \text{ K}$ | $t_p$  | 10                        | 20             | 30      | s    |
| Ramp-down rate*<br>$T_p$ to 100 °C                                     |        |                           | 3              | 4       | K/s  |
| Time<br>25 °C to $T_p$                                                 |        |                           |                | 480     | s    |

All temperatures refer to the center of the package, measured on the top of the component

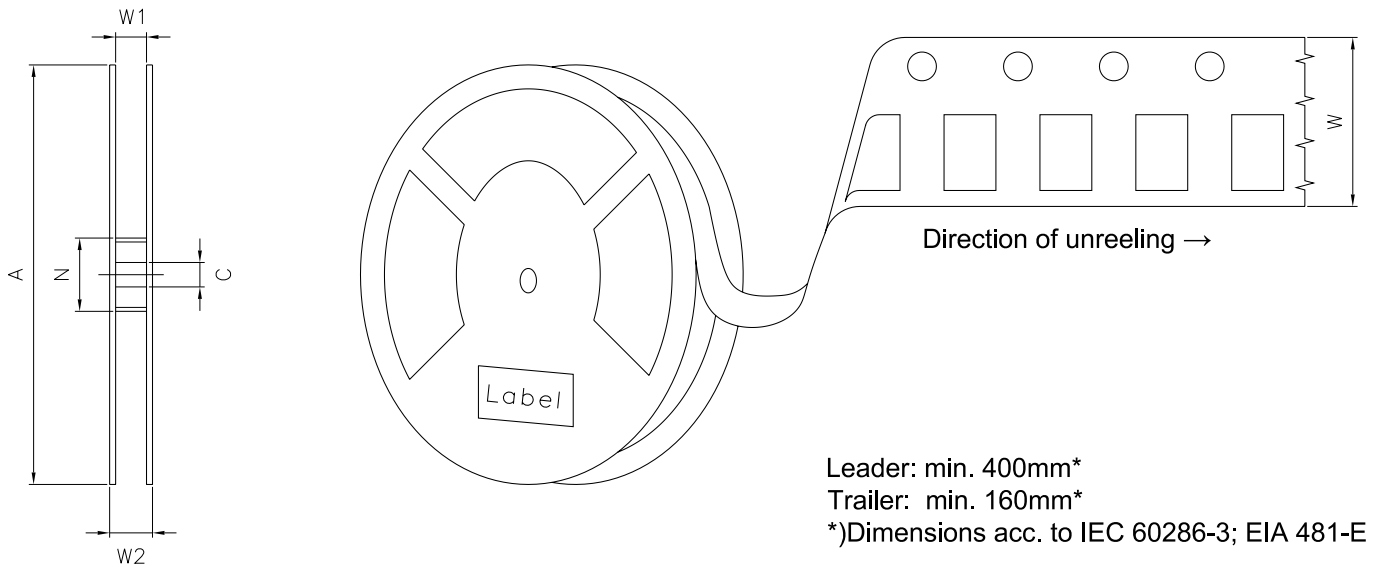
\* slope calculation  $DT/Dt$ :  $Dt$  max. 5 s; fulfillment for the whole T-range

**Taping** <sup>8)</sup>



C63062-A3722-B01-02

## Tape and Reel <sup>9)</sup>



### Reel Dimensions

| A      | W                   | $N_{\min}$ | $W_1$       | $W_{2\max}$ | Pieces per PU |
|--------|---------------------|------------|-------------|-------------|---------------|
| 330 mm | 12 + 0.3 / - 0.1 mm | 60 mm      | 12.4 + 2 mm | 18.4 mm     | 2000          |

### Barcode-Product-Label (BPL)

**OSRAM Opto Semiconductors** LX XXXX BIN1: XX-XX-X-XXX-X

RoHS Compliant

(6P) BATCH NO: 1234567890

(1T) LOT NO: 1234567890 (9D) D/C: 1234

(X) PROD NO: 123456789 (Q) QTY: 9999 (G) GROUP: XX-XX-X-X

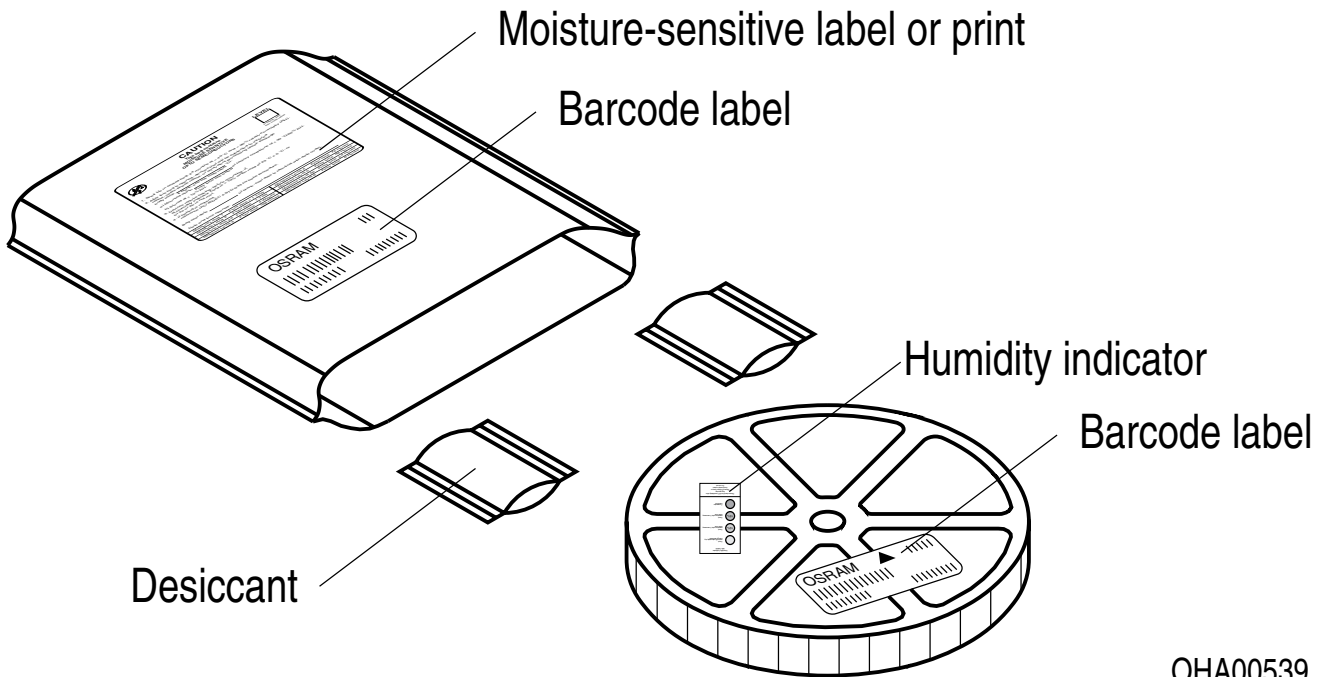
ML Temp ST  
X XXX °C X

Pack: RXX  
DEMY XXX  
X\_X123\_1234.1234 X

The diagram shows a rectangular label with rounded corners. It contains the OSRAM logo and product name at the top left. To the right are fields for 'LX XXXX' and 'BIN1: XX-XX-X-XXX-X'. Below this is 'RoHS Compliant'. The main body of the label features three rows of information, each with a barcode: '(6P) BATCH NO: 1234567890', '(1T) LOT NO: 1234567890 (9D) D/C: 1234', and '(X) PROD NO: 123456789 (Q) QTY: 9999 (G) GROUP: XX-XX-X-X'. To the right of the second row is a 'No moisture' symbol (a circle with a diagonal line and three drops) and 'ML Temp ST X XXX °C X'. Below that is 'Pack: RXX', 'DEMY XXX', and 'X\_X123\_1234.1234 X'. A square QR code is located on the right side of the label.

OHA04563

### Dry Packing Process and Materials <sup>8)</sup>

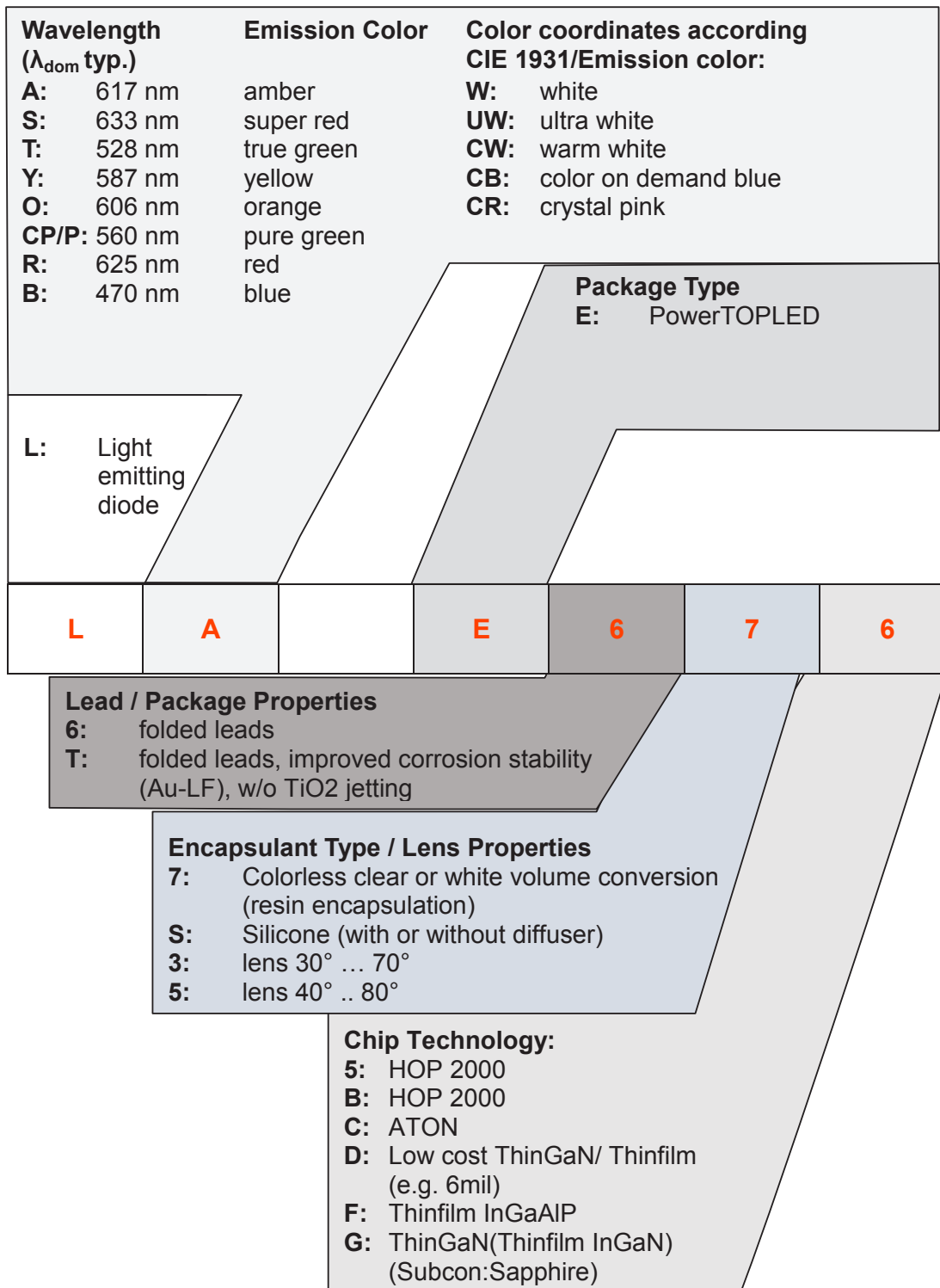


OHA00539

Moisture-sensitive product is packed in a dry bag containing desiccant and a humidity card according JEDEC-STD-033.



## Type Designation System



## Notes

The evaluation of eye safety occurs according to the standard IEC 62471:2006 (photo biological safety of lamps and lamp systems). Within the risk grouping system of this IEC standard, the device specified in this data sheet falls into the class **exempt group (exposure time 10000 s)**. Under real circumstances (for exposure time, conditions of the eye pupils, observation distance), it is assumed that no endangerment to the eye exists from these devices. As a matter of principle, however, it should be mentioned that intense light sources have a high secondary exposure potential due to their blinding effect. When looking at bright light sources (e.g. headlights), temporary reduction in visual acuity and afterimages can occur, leading to irritation, annoyance, visual impairment, and even accidents, depending on the situation.

Subcomponents of this device contain, in addition to other substances, metal filled materials including silver. Metal filled materials can be affected by environments that contain traces of aggressive substances. Therefore, we recommend that customers minimize device exposure to aggressive substances during storage, production, and use. Devices that showed visible discoloration when tested using the described tests above did show no performance deviations within failure limits during the stated test duration. Respective failure limits are described in the IEC60810.

For further application related information please visit [www.osram-os.com/appnotes](http://www.osram-os.com/appnotes)

## Disclaimer

### **Attention please!**

The information describes the type of component and shall not be considered as assured characteristics. Terms of delivery and rights to change design reserved. Due to technical requirements components may contain dangerous substances.

For information on the types in question please contact our Sales Organization.

If printed or downloaded, please find the latest version on the OSRAM OS website.

### **Packing**

Please use the recycling operators known to you. We can also help you – get in touch with your nearest sales office. By agreement we will take packing material back, if it is sorted. You must bear the costs of transport. For packing material that is returned to us unsorted or which we are not obliged to accept, we shall have to invoice you for any costs incurred.

### **Product and functional safety devices/applications or medical devices/applications**

OSRAM OS components are not developed, constructed or tested for the application as safety relevant component or for the application in medical devices.

OSRAM OS products are not qualified at module and system level for such application.

In case buyer – or customer supplied by buyer – considers using OSRAM OS components in product safety devices/applications or medical devices/applications, buyer and/or customer has to inform the local sales partner of OSRAM OS immediately and OSRAM OS and buyer and /or customer will analyze and coordinate the customer-specific request between OSRAM OS and buyer and/or customer.

## Glossary

- 1) **Brightness:** Brightness values are measured during a current pulse of typically 25 ms, with an internal reproducibility of  $\pm 8\%$  and an expanded uncertainty of  $\pm 11\%$  (acc. to GUM with a coverage factor of  $k = 3$ ).
- 2) **Reverse Operation:** Reverse Operation of 10 hours is permissible in total. Continuous reverse operation is not allowed.
- 3) **Wavelength:** The wavelength is measured at a current pulse of typically 25 ms, with an internal reproducibility of  $\pm 0.5$  nm and an expanded uncertainty of  $\pm 1$  nm (acc. to GUM with a coverage factor of  $k = 3$ ).
- 4) **Forward Voltage:** The forward voltage is measured during a current pulse of typically 8 ms, with an internal reproducibility of  $\pm 0.05$  V and an expanded uncertainty of  $\pm 0.1$  V (acc. to GUM with a coverage factor of  $k = 3$ ).
- 5) **Thermal Resistance:**  $R_{th\ max}$  is based on statistic values ( $6\sigma$ ).
- 6) **Typical Values:** Due to the special conditions of the manufacturing processes of semiconductor devices, the typical data or calculated correlations of technical parameters can only reflect statistical figures. These do not necessarily correspond to the actual parameters of each single product, which could differ from the typical data and calculated correlations or the typical characteristic line. If requested, e.g. because of technical improvements, these typ. data will be changed without any further notice.
- 7) **Characteristic curve:** In the range where the line of the graph is broken, you must expect higher differences between single devices within one packing unit.
- 8) **Tolerance of Measure:** Unless otherwise noted in drawing, tolerances are specified with  $\pm 0.1$  and dimensions are specified in mm.
- 9) **Tape and Reel:** All dimensions and tolerances are specified acc. IEC 60286-3 and specified in mm.

## Revision History

| Version | Date       | Change                                                                                                                          |
|---------|------------|---------------------------------------------------------------------------------------------------------------------------------|
| 1.5     | 2020-01-20 | Features<br>Brightness Groups<br>Electro - Optical Characteristics (Diagrams)<br>Dimensions of Transportation Box<br>Disclaimer |

---

Published by OSRAM Opto Semiconductors GmbH EU RoHS and China RoHS compliant product  
Leibnizstraße 4, D-93055 Regensburg  
www.osram-os.com © All Rights Reserved.



此产品符合欧盟 RoHS 指令的要求；  
按照中国的相关法规和标准，不含有毒有害物质或元素。