

Customer Information Sheet

DRAWING No.: G125-964XX00

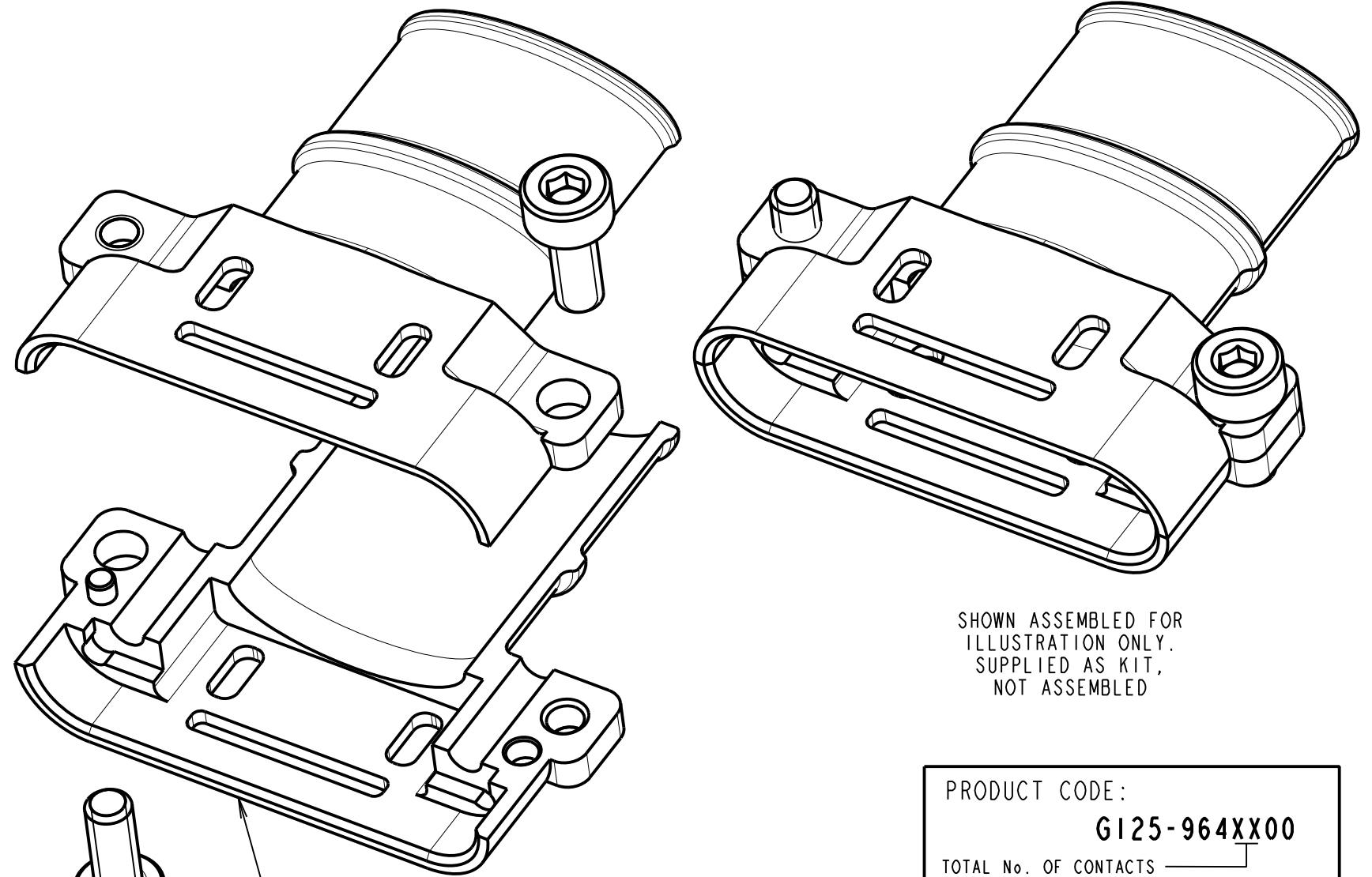
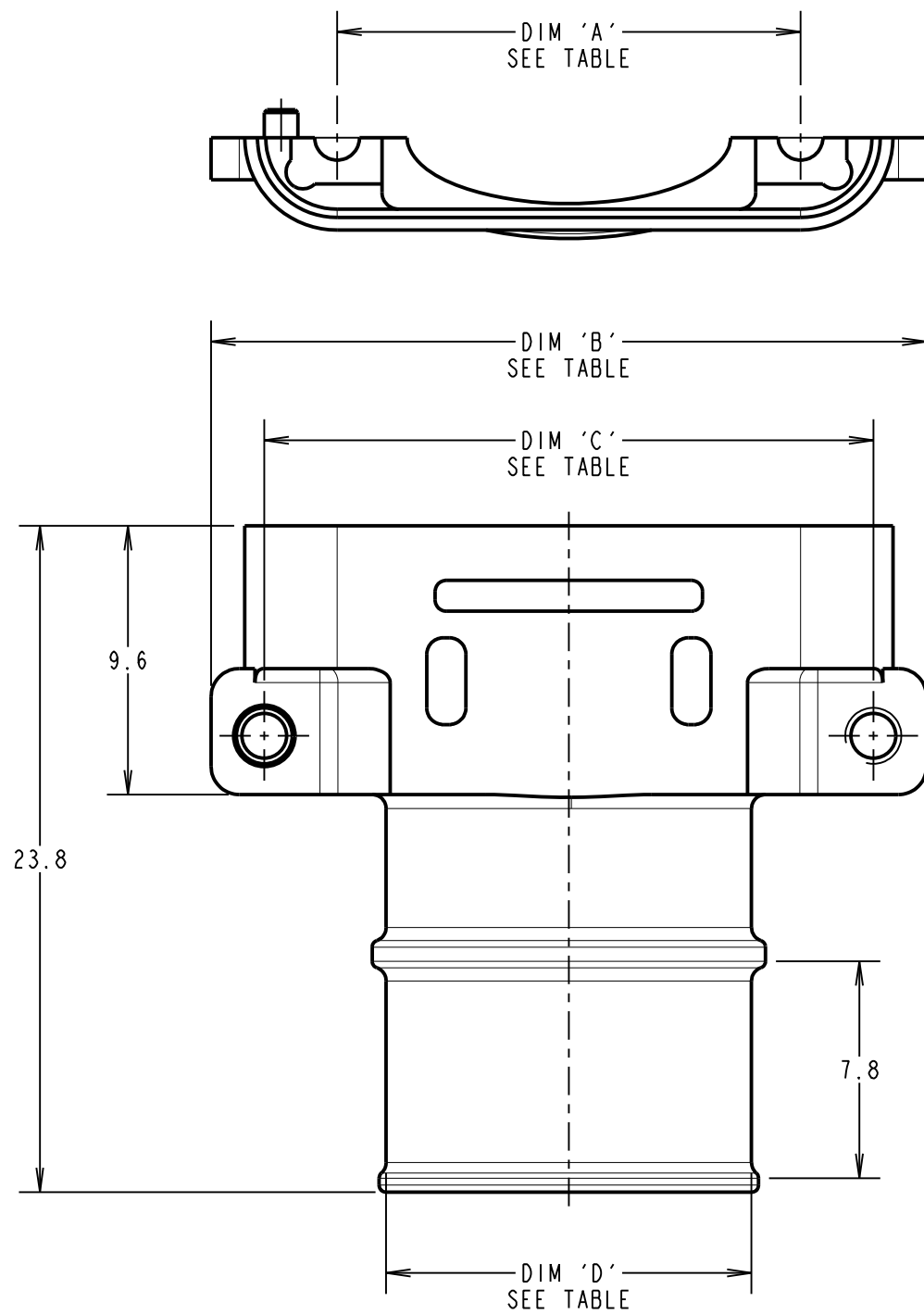
IF IN DOUBT - ASK

©

NOT TO SCALE

THIRD ANGLE PROJECTION

ALL DIMENSIONS IN mm



M2 SOCKET CAP HOOD RETAINING SCREW (2-OFF)

PAIR OF METAL SHELLS (1-OFF)

BAND-IT TIE (1-OFF)

PRODUCT CODE:
G125-964XX00
TOTAL No. OF CONTACTS
06, 10, 12, 16, 20, 26, 34 & 50.

SPECIFICATION:
MATERIAL:
HOOD SHELL = ALUMINIUM
SCREWS & BAND-IT TIE = STAINLESS STEEL
FINISH:
HOOD SHELL = NICKEL

PART NUMBER	DIM 'A'	DIM 'B'	DIM 'C'	DIM 'D'
G125-9640600	10.30	19.30	15.50	6.80
G125-9641000	12.80	21.80	18.00	9.30
G125-9641200	14.05	23.05	19.25	10.55
G125-9641600	16.55	25.55	21.75	13.05
G125-9642000	19.05	28.05	24.25	15.55
G125-9642600	22.80	31.80	28.00	19.30
G125-9643400	27.80	36.80	33.00	24.30
G125-9645000	37.80	46.80	43.00	34.30

NOTES:
1. SUPPLIED AS A KIT OF PARTS TO BE ASSEMBLED TO G125-324XX96M2 SERIES OF CONNECTORS.

MSP	1	16.08.17	20626
NAME	ISS.	DATE	C/NOTE
APPROVED: M.PERREN			
CHECKED: S.FLOWER			
DRAWN: MARK G PLESTED			
CUSTOMER REF.:			
ASSEMBLY DRG:			

HARWIN

www.harwin.com
technical@harwin.com

THIS DRAWING AND ANY INFORMATION OR DESCRIPTIVE MATTER SET OUT HEREON ARE CONFIDENTIAL AND COPYRIGHT PROPERTY OF THE HARWIN GROUP AND MUST NOT BE DISCLOSED, LOANED, COPIED OR USED FOR MANUFACTURING, TENDERING OR FOR ANY OTHER PURPOSE WITHOUT THEIR WRITTEN PERMISSION.

TOLERANCES
X. = ±1mm
X.X = ±0.50mm
X.XX = ±0.10mm
X.XXX = ±0.01mm
ANGLES = ±5°
UNLESS STATED

MATERIAL:
SEE ABOVE
FINISH: SEE ABOVE
S/AREA: mm²

TITLE:
G125 J-TEK SERIES HOOD KIT

DRAWING NUMBER:
G125-964XX00

SHT
2 OF 2