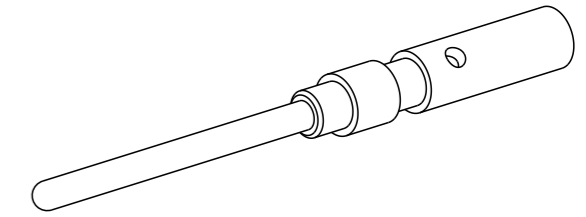
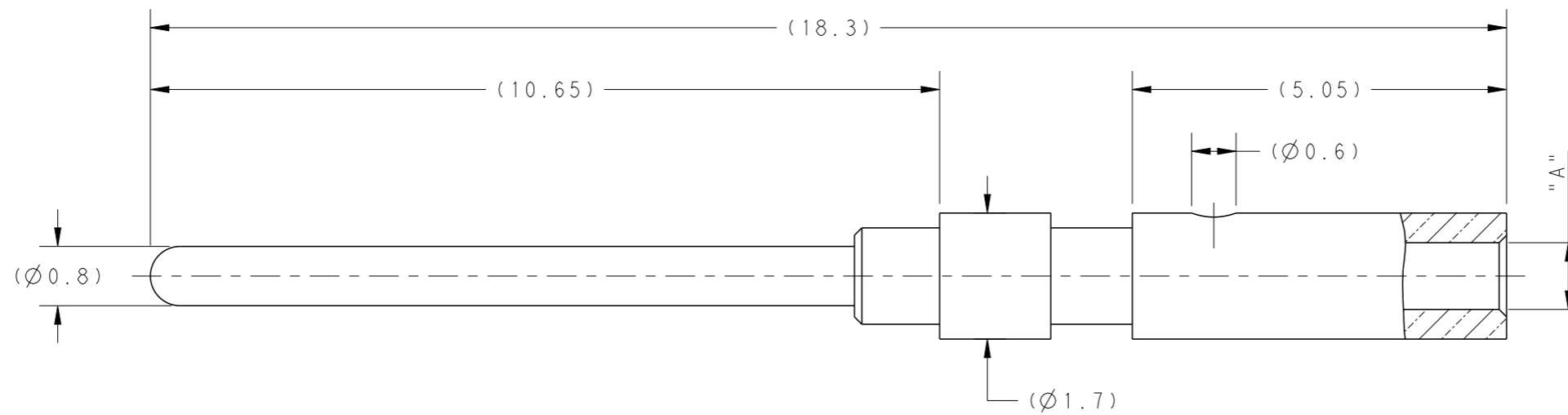


REVISIONS

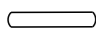
P	LTR	DESCRIPTION	DATE	DWN	APVD
	A	ECO-21-006862	16JUN2021	NR	MV





SCALE 5:1



NOTES;

- (): DIMENSIONS FOR INFORMATION
 : INSPECTION DIMENSIONS.
- FRAMED DIMENSIONS ARE TO BE STRICTLY ADHERED TO.
- MATERIAL - BRONZE, GOLD PLATING
- ALL DIMENSIONS ARE CONSIDERED TO BE AFTER PLATING.
- MATERIAL COMPLIANCE WITH ROHS AND REACH.

PART NUMBER	WIRE SIZE	"A"	PLATING
2351769-1	AWG 22-26	(∅0.9)	GOLD
2351769-2	AWG 18-20	(∅1.1)	GOLD

THIS DRAWING IS A CONTROLLED DOCUMENT.		DWN RAJAGOPAL N 21MAY2021	 TE Connectivity		
DIMENSIONS: mm		CHK M. BONNIN 21MAY2021			NAME M12 MALE CONTACT A8 CODE -
		APVD M. VIMARD 21MAY2021			
TOLERANCES UNLESS OTHERWISE SPECIFIED:		PRODUCT SPEC -	APPLICATION SPEC -	RESTRICTED TO	
0 PLC ±- 1 PLC ±- 2 PLC ±- 3 PLC ±- 4 PLC ±0.0001 ANGLES ±-		WEIGHT -	SIZE A3	CAGE CODE 00779	
MATERIAL SEE NOTES		FINISH -	DRAWING NO C-2351769		
-		CUSTOMER DRAWING		SCALE 12:1 SHEET 1 OF 1 REV A	