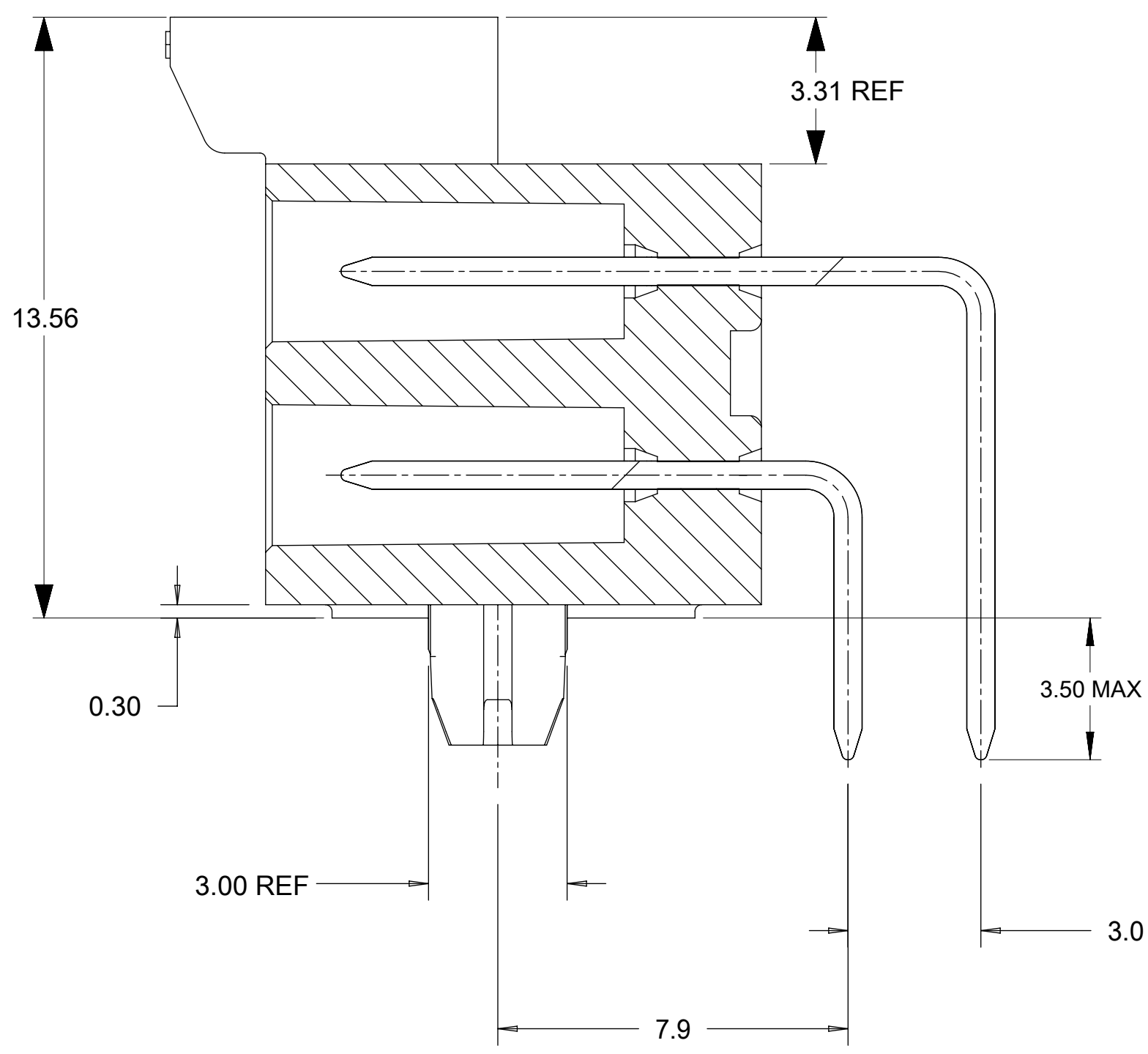
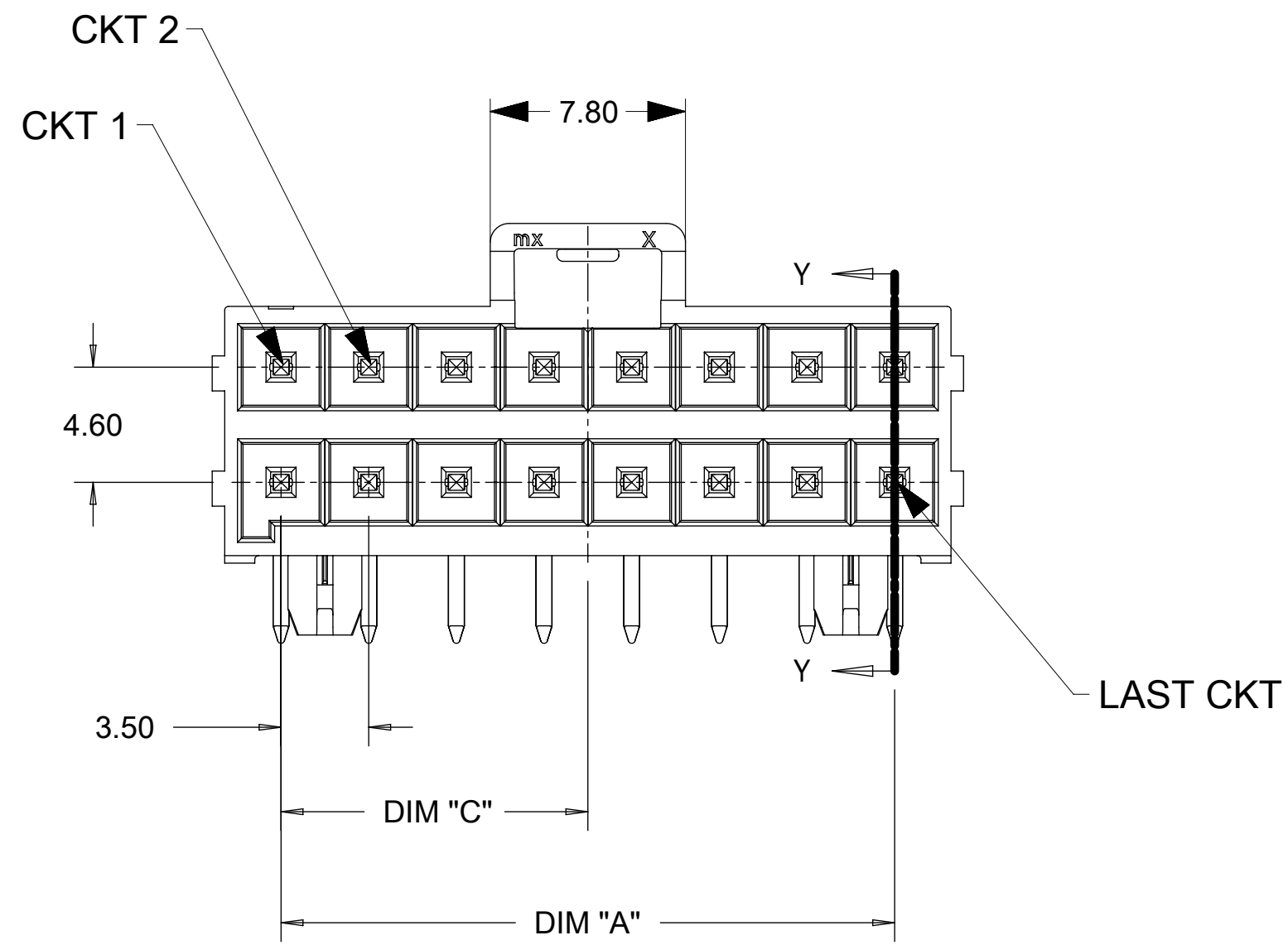
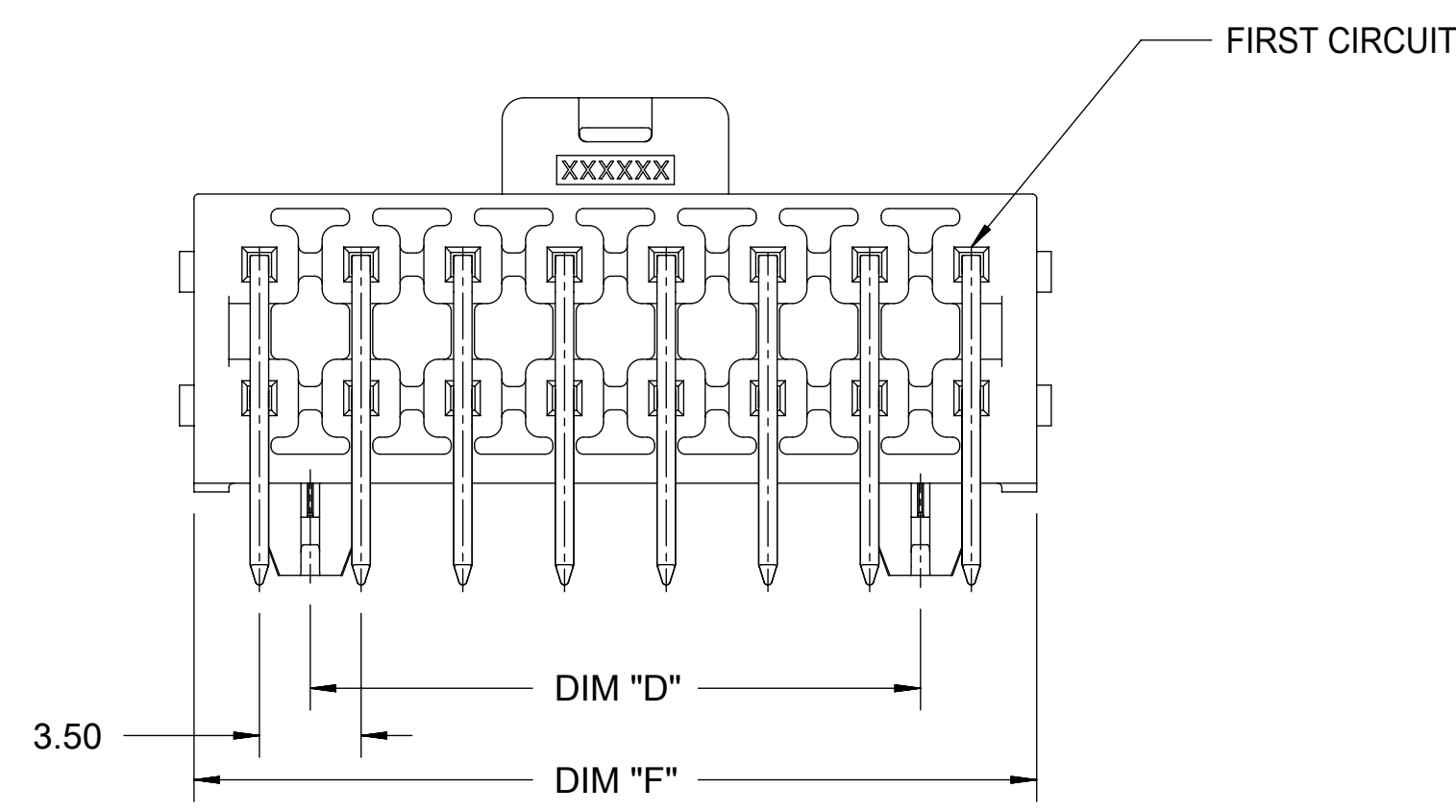


FIRST CIRCUIT MARK
(NOT SHOWING ON 4
AND 6 CIRCUITS SERIES)

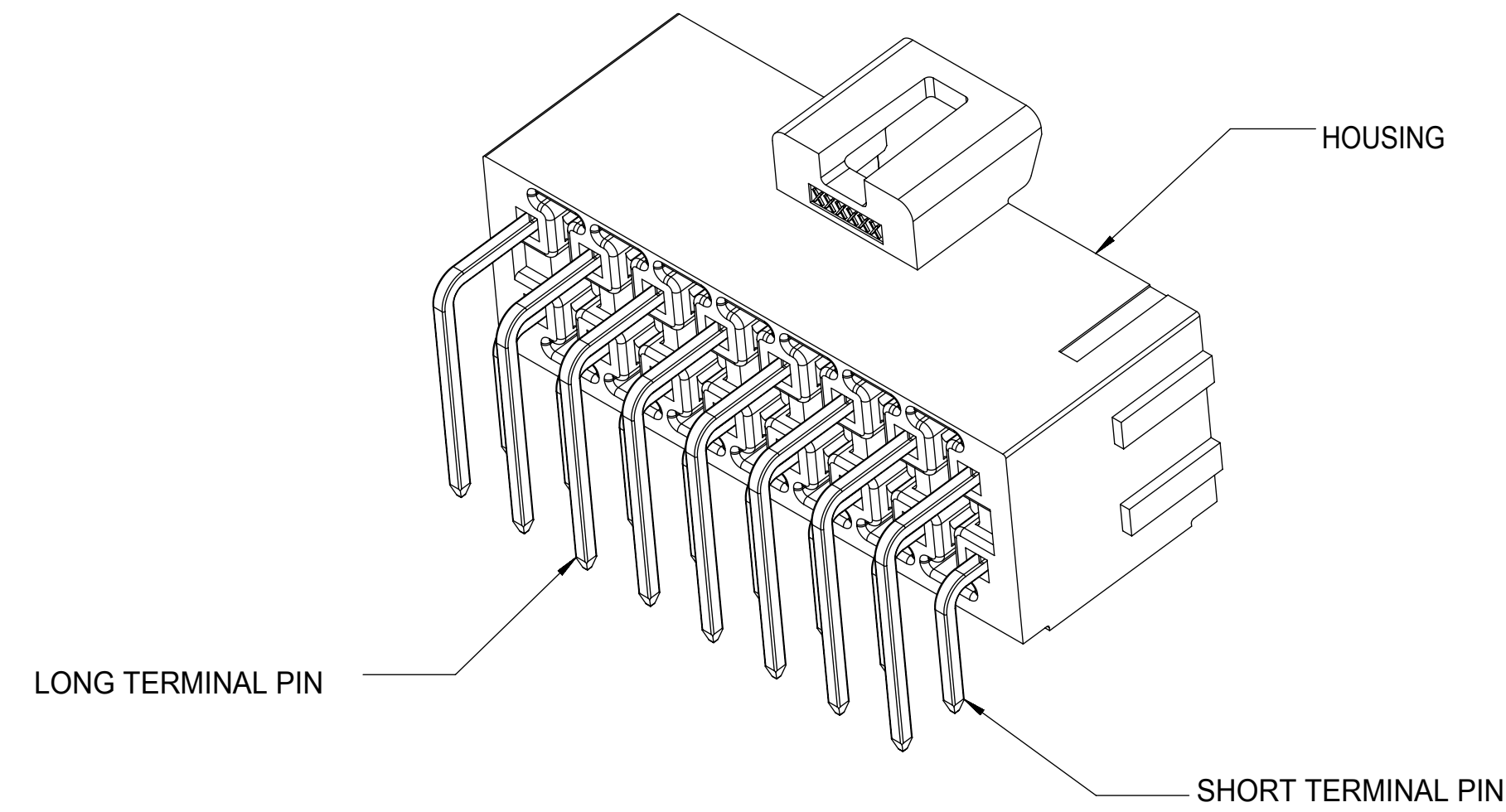
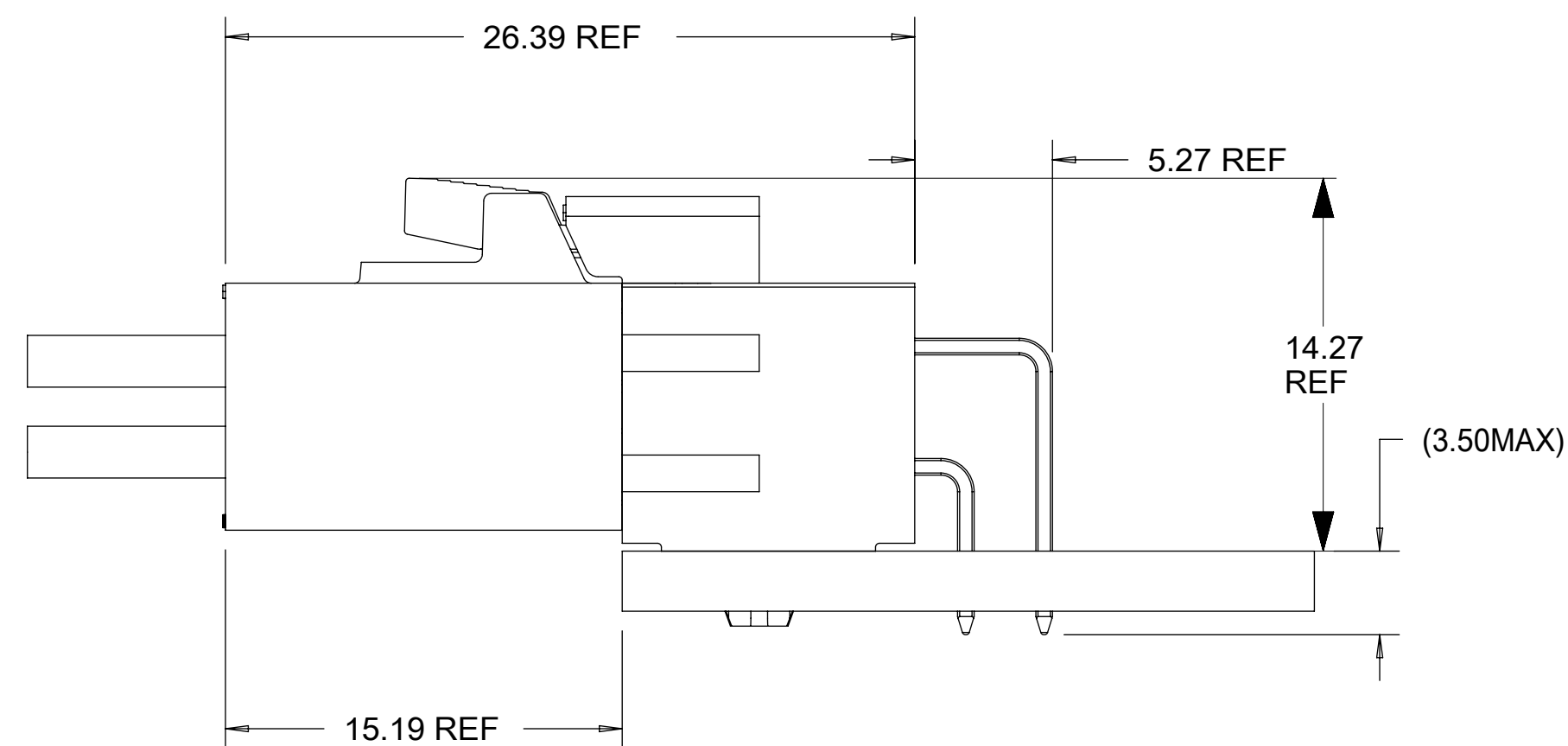


SECTION Y-Y
SCALE 8:1

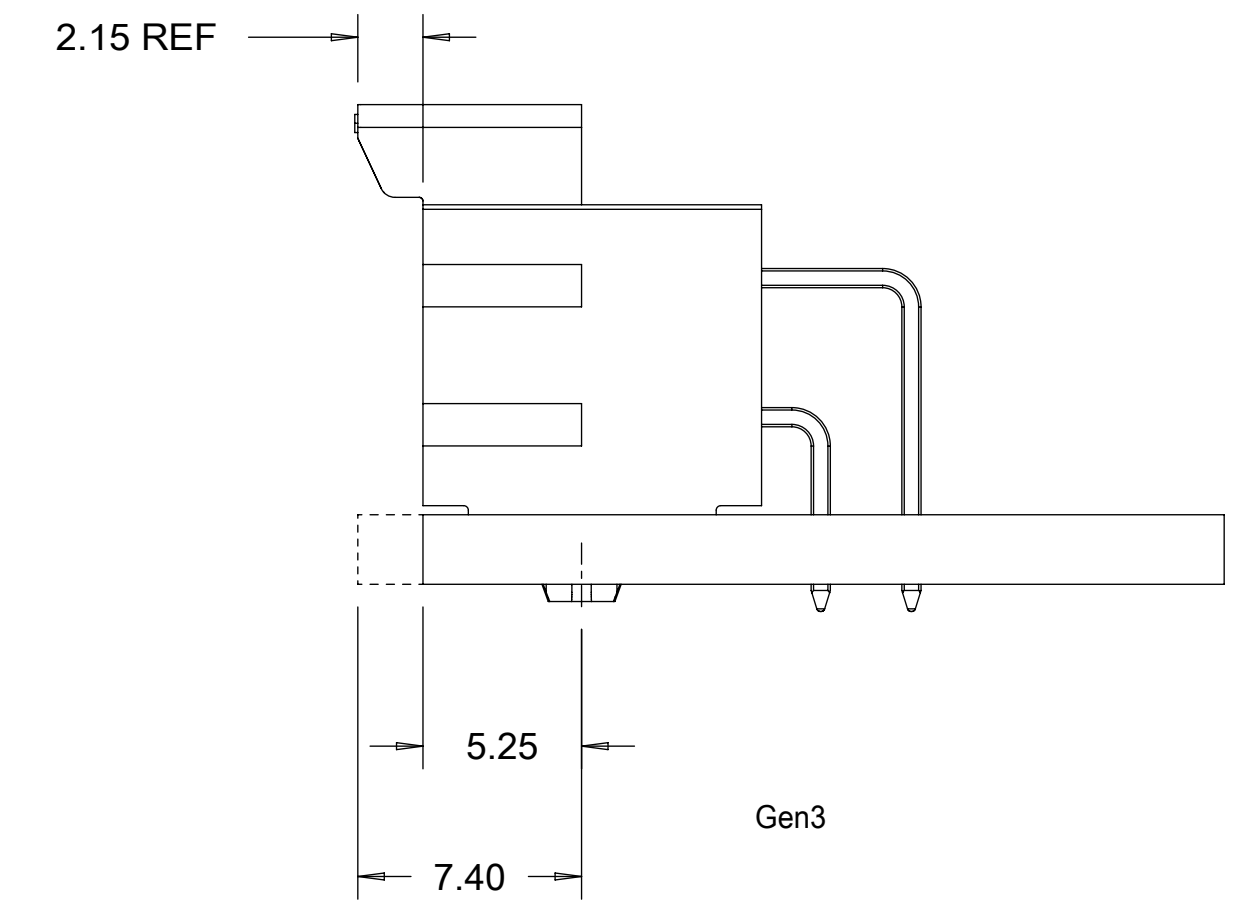
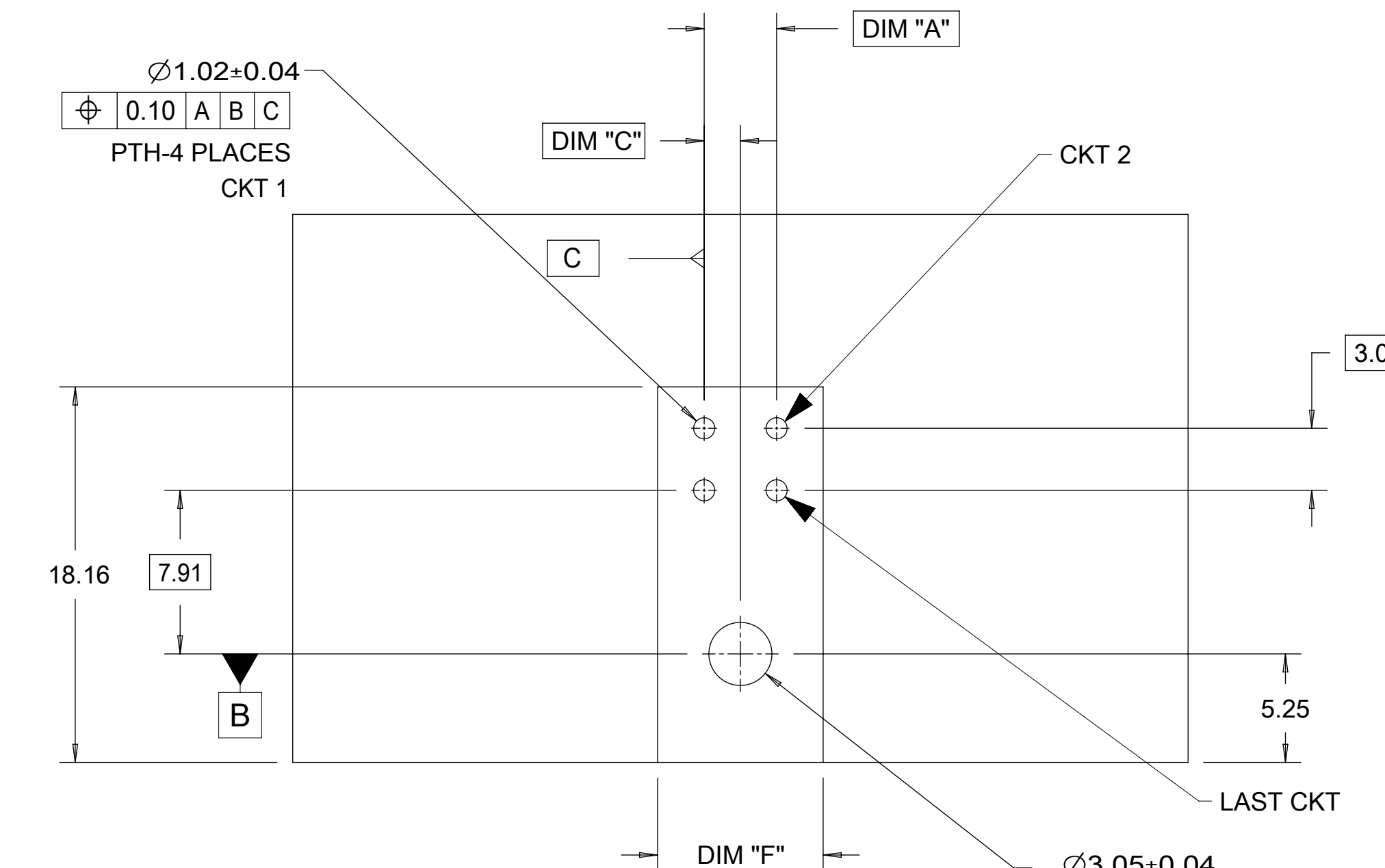
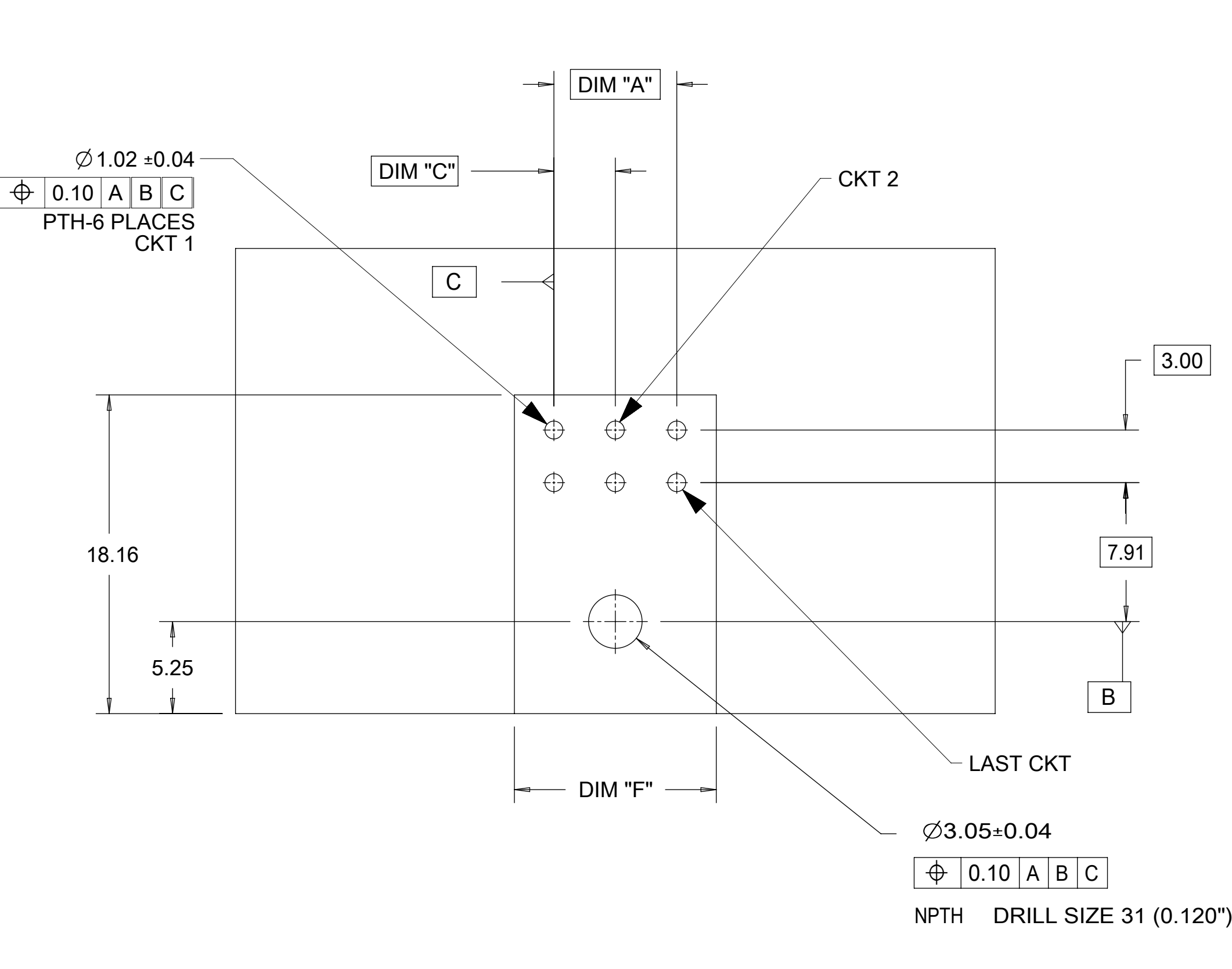
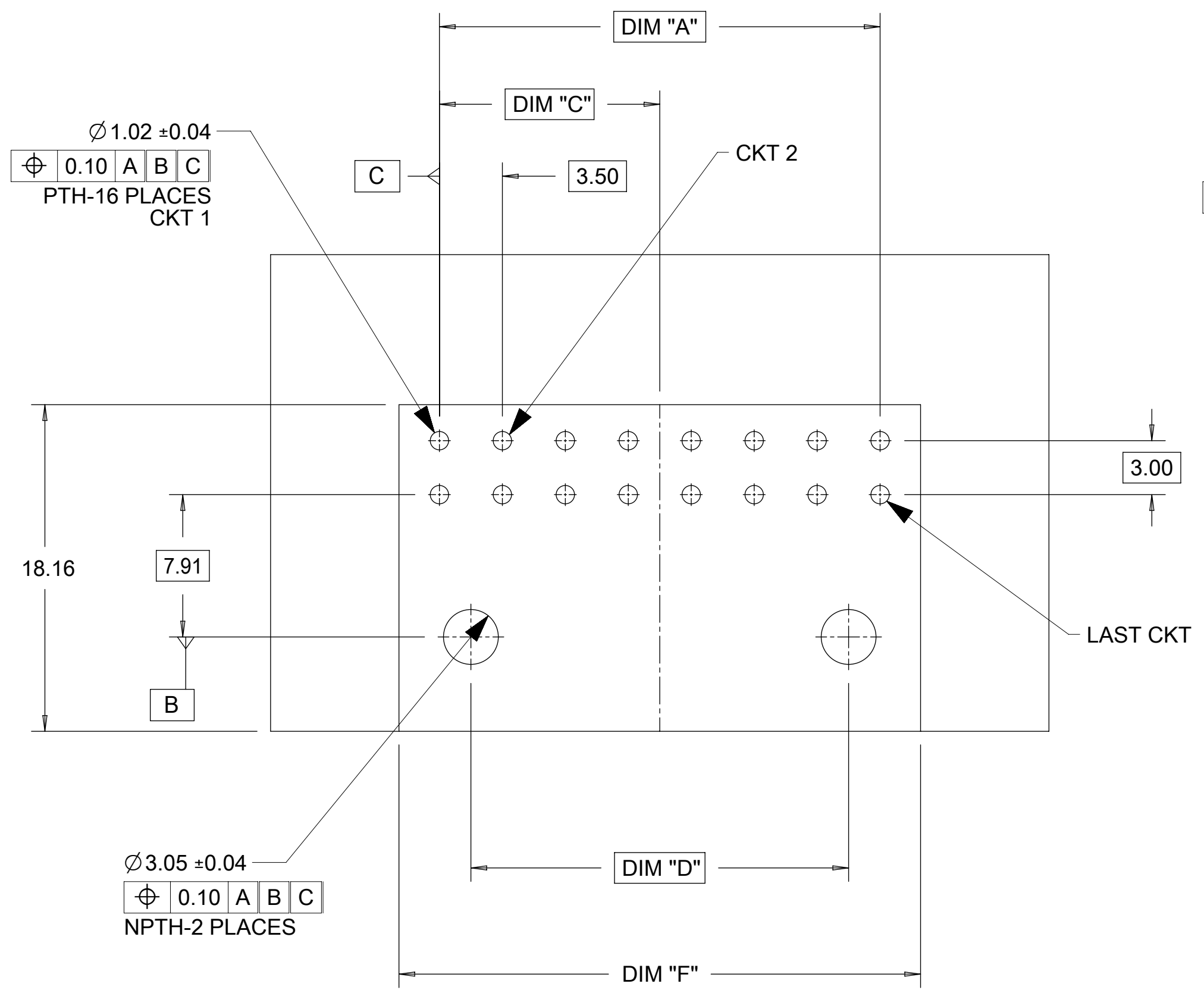


NOTES:

- MATERIAL :
HOUSING
OPTION 1: LCP BLACK, UL94 V-0
OPTION 2: LCP NATURAL, UL94 V-0
TERMINAL: COPPER ALLOY
- PLATING FINISH:
OPTION 1 - 1.5µm(60µin)-2.5µm(100µin) TIN OVER
1.25µm(50µin)-2.5µm(100µin) NICKEL OVERALL
OPTION 2 - 0.35µm(15µin) GOLD CONTACT AREA,
1.5µm(60µin)-2.5µm(100µin) TIN TAIL AREA OVER
1.25µm(50µin)-2.5µm(100µin) NICKEL OVERALL
OPTION 3 - 0.70µm(30µin) GOLD CONTACT AREA,
1.5µm(60µin)-2.5µm(100µin) TIN TAIL AREA OVER
1.25µm(50µin)-2.5µm(100µin) NICKEL OVERALL
- PARTS TO BE PACKAGED PER 1723161114-PK.
- PRODUCT SPECIFICATION PS-172323-0001
- PART MATES WITH MOLEX RECEPTACLE HOUSING
172258 AND 172262
- PART CONFORMS TO CLASS "C" REQUIREMENTS OF SPECIFICATION
PS-45499-002 WITH 0.13 MM MAXIMUM FLASH ALLOWED IN CORE
HOLES AND FRONT SURFACE.
- DISCOLORATION IN THE BANDOLIER AREA OF THE PIN IS
INHERENT TO THE PLATING PROCESS AND IS DUE TO THE MASKING
EFFECT OF THE CARRIER. THIS DISCOLORATION IS IN A NON-FUNCTIONAL
AREA OF THE PIN AND WILL NOT AFFECT THE PERFORMANCE OF THE
HEADER ASSEMBLY.
- ASSEMBLY SPECIFICATION: AS-172323-0001.



FUNCTIONAL SYMBOLS FA = 0 FC = 0 FP = 0	THIS DRAWING CONTAINS INFORMATION THAT IS PROPRIETARY TO MOLEX ELECTRONIC TECHNOLOGIES, LLC AND SHOULD NOT BE USED WITHOUT WRITTEN PERMISSION		CURRENT REV DESC: OBSOLETE PART NUMBER AS PER PCN#509988		
	DIMENSION UNITS	SCALE			
	mm	1:1			ULTRA-FIT R/A HEADER 4-16 CKTS DUAL ROW
	GENERAL TOLERANCES (UNLESS SPECIFIED)				PRODUCT CUSTOMER DRAWING
	ANGULAR TOL ± °				DOCUMENT NUMBER
	4 PLACES	±	EC NO: 704776	2022/04/06	SD-172316-1000
	3 PLACES	±	DRWN: SUGEEB	2022/05/24	PSD 000 F6
	2 PLACES	± 0.25	CHK'D: GGA	2022/05/24	DOC TYPE
	1 PLACE	± 0.5	APPR: GGA		DOC PART
	0 PLACES	±	INITIAL REVISION:		REVISION
	DRAFT WHERE APPLICABLE MUST REMAIN WITHIN DIMENSIONS		DRWN: DROSCA	2014/03/06	
	THIRD ANGLE PROJECTION		APPR: JCOMERCI	2014/04/24	
	DRAWING		SERIES	MATERIAL NUMBER	CUSTOMER
	D-SIZE		172316		GENERAL MARKET
					SHEET NUMBER
					1 OF 3



OPTION 1: LATCH FLUSH WITH PCB EDGE
OPTION 2: HOUSING BODY FLUSH WITH PCB EDGE

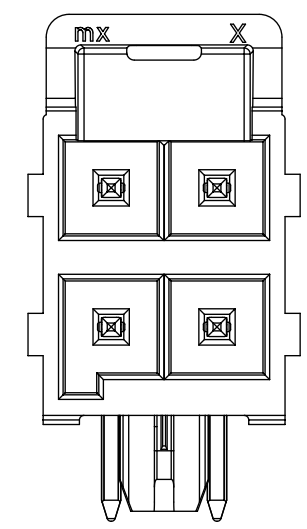
TIN PLATING							
PART NO.	COLOR	CIRCUIT SIZE	KEY OPTION	DIM A	DIM F	DIM C	DIM D
172316-1104	BLACK	4	KEY A	3.50	8.00	1.75	0.00
172316-1106	BLACK	6	KEY A	7.00	11.50	3.50	0.00
172316-1108	BLACK	8	KEY A	10.50	15.00	5.25	7.00
172316-1110	BLACK	10	KEY A	14.00	18.50	7.00	10.50
172316-1112	BLACK	12	KEY A	17.50	22.00	8.75	14.00
172316-1114	BLACK	14	KEY A	21.00	25.50	10.50	17.50
172316-1116	BLACK	16	KEY A	24.50	29.00	12.25	21.00

15 MICROINCH GOLD PLATING							
PART NO.	COLOR	CIRCUIT SIZE	KEY OPTION	DIM A	DIM F	DIM C	DIM D
172316-1204	BLACK	4	KEY A	3.50	8.00	1.75	0.00
172316-1206	BLACK	6	KEY A	7.00	11.50	3.50	0.00
172316-1208	BLACK	8	KEY A	10.50	15.00	5.25	7.00
172316-1210	BLACK	10	KEY A	14.00	18.50	7.00	10.50
172316-1212	BLACK	12	KEY A	17.50	22.00	8.75	14.00
172316-1214	BLACK	14	KEY A	21.00	25.50	10.50	17.50
172316-1216	BLACK	16	KEY A	24.50	29.00	12.25	21.00
172316-2206	NATURAL	6	KEY B	7.00	11.50	3.50	0.00
172316-2210	NATURAL	10	KEY B	14.00	18.50	7.00	10.50
172316-2216	NATURAL	16	KEY B	24.50	29.00	12.25	21.00

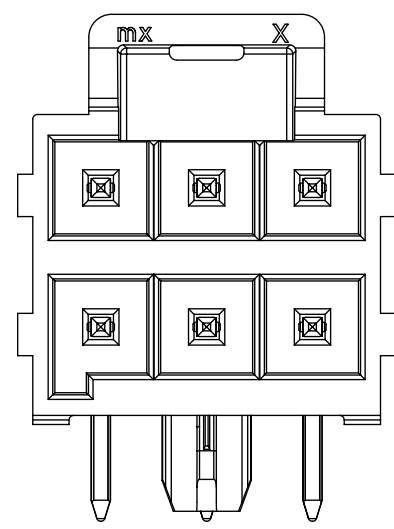
30 MICROINCH GOLD PLATING							
PART NO.	COLOR	CIRCUIT SIZE	KEY OPTION	DIM A	DIM F	DIM C	DIM D
172316-1304	BLACK	4	KEY A	3.50	8.00	1.75	0.00
172316-1306	BLACK	6	KEY A	7.00	11.50	3.50	0.00
172316-1308	BLACK	8	KEY A	10.50	15.00	5.25	7.00
172316-1310	BLACK	10	KEY A	14.00	18.50	7.00	10.50
172316-1312	BLACK	12	KEY A	17.50	22.00	8.75	14.00
172316-1314	BLACK	14	KEY A	21.00	25.50	10.50	17.50
172316-1316	BLACK	16	KEY A	24.50	29.00	12.25	21.00
172316-2304	NATURAL	4	KEY B	3.50	8.00	1.75	0.00
172316-2310	NATURAL	10	KEY B	14.00	18.50	7.00	10.50
172316-2316	NATURAL	16	KEY B	24.50	29.00	12.25	21.00

NOTE: DATUM -A- IS ON COMPONENT SIDE PCB

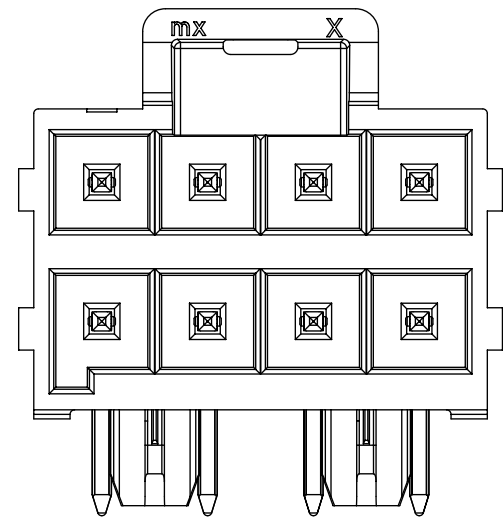
FUNCTIONAL SYMBOLS $F_A = 0$ $F_C = 0$ $F_P = 0$	THIS DRAWING CONTAINS INFORMATION THAT IS PROPRIETARY TO MOLEX ELECTRONIC TECHNOLOGIES, LLC AND SHOULD NOT BE USED WITHOUT WRITTEN PERMISSION	SCALE 1:1	CURRENT REV DESC: OBSOLETE PART NUMBER AS PER PCN#509988	
	DIMENSION UNITS mm	GENERAL TOLERANCES (UNLESS SPECIFIED)	EC NO: 704776	
	ANGULAR TOL ± °	4 PLACES ±	DRWN: SUGEEB	2022/04/06
	3 PLACES ±	2 PLACES ± 0.25	CHK'D: GGA	2022/05/24
DIVISIONAL SYMBOLS	1 PLACE ± 0.5	APPR: GGA	2022/05/24	
0 PLACES ±	DRAFT WHERE APPLICABLE MUST REMAIN WITHIN DIMENSIONS	INITIAL REVISION: DRWN: DROSCA APPR: JCOMERCI	2014/03/06	2014/04/24
THIRD ANGLE PROJECTION	DRAWING	SERIES	MATERIAL NUMBER	CUSTOMER
	D-SIZE	172316	SD-172316-1000	GENERAL MARKET
		DOCUMENT NUMBER		DOC TYPE
		PSD		000
		REVISION		F6
		SHEET NUMBER		2 OF 3



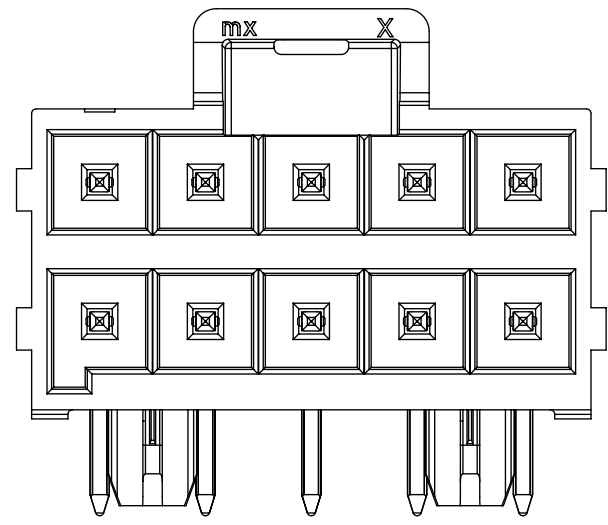
4 CKT



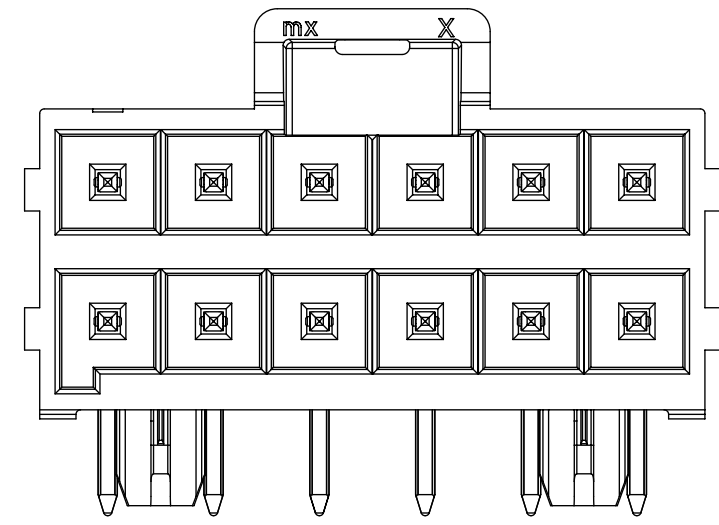
6 CKT



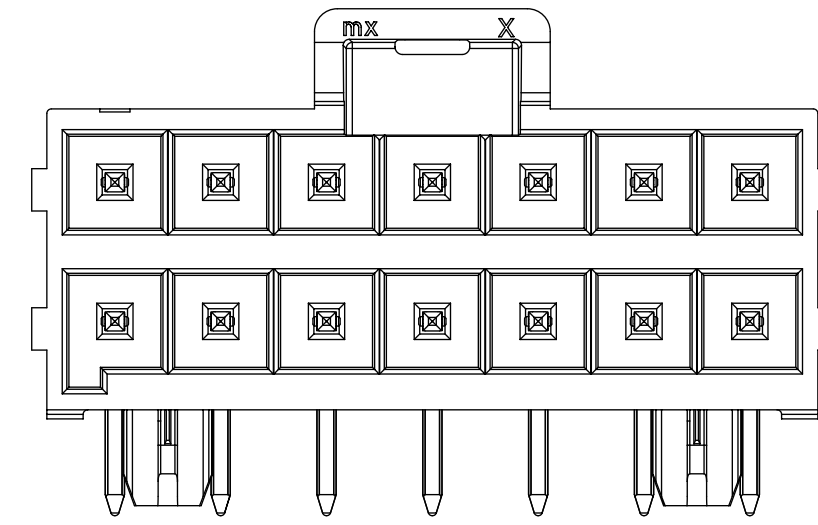
8 CKT



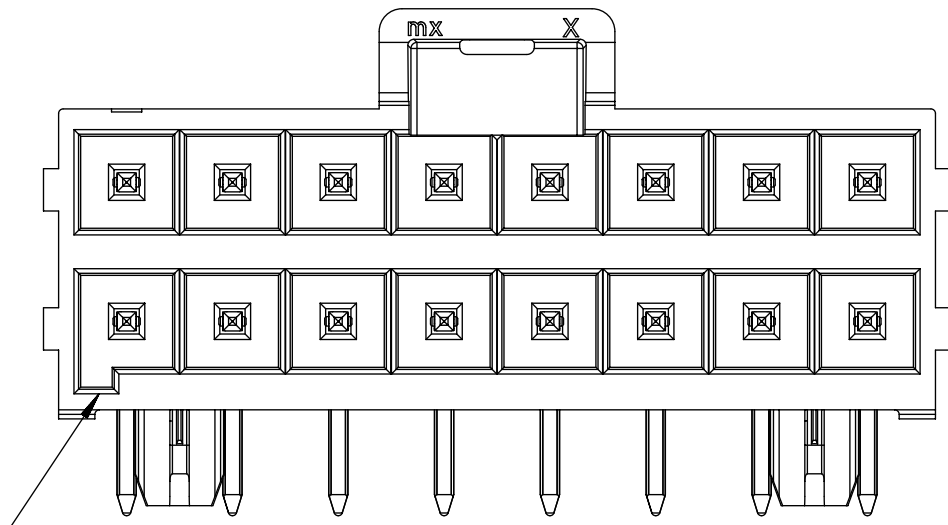
10 CKT



12 CKT

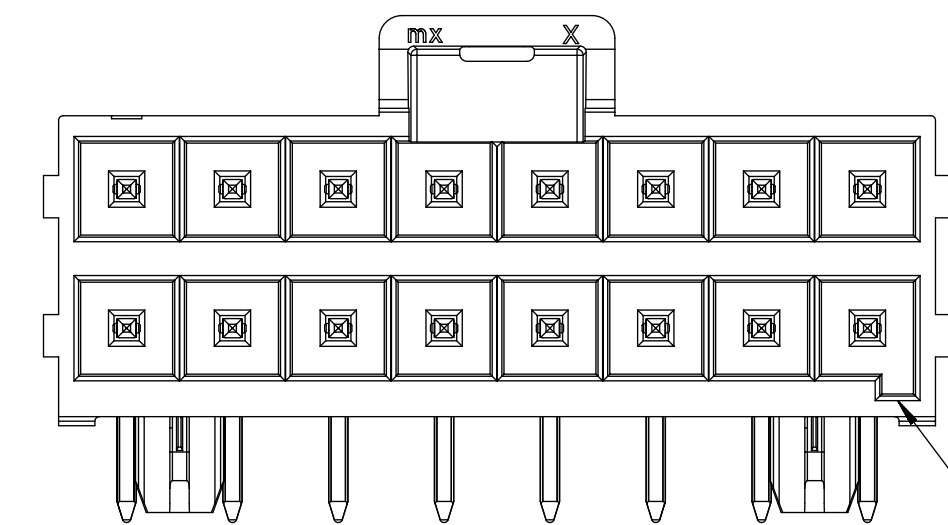


14 CKT



16 CKT

KEY A
(BLACK)



KEY B
(NATURAL)

FUNCTIONAL SYMBOLS $\nabla_A = 0$ $\nabla_C = 0$ $\nabla_P = 0$	THIS DRAWING CONTAINS INFORMATION THAT IS PROPRIETARY TO MOLEX ELECTRONIC TECHNOLOGIES, LLC AND SHOULD NOT BE USED WITHOUT WRITTEN PERMISSION		molex ULTRA-FIT R/A HEADER 4-16 CKTS DUAL ROW			
	DIMENSION UNITS mm	SCALE 1:1				
GENERAL TOLERANCES (UNLESS SPECIFIED)		EC NO: 704776 DRWN: SUGEEB 2022/04/06 CHK'D: GGA 2022/05/24 APPR: GGA 2022/05/24		PRODUCT CUSTOMER DRAWING		
ANGULAR TOL \pm °		INITIAL REVISION: DRWN: DROSCA 2014/03/06 APPR: JCOMERCI 2014/04/24		DOCUMENT NUMBER SD-172316-1000	DOC TYPE PSD	
4 PLACES \pm		0 PLACES \pm		DOC PART 000	REVISION F6	
3 PLACES \pm		DRAFT WHERE APPLICABLE MUST REMAIN WITHIN DIMENSIONS		MATERIAL NUMBER 172316	CUSTOMER GENERAL MARKET	
2 PLACES \pm 0.25		THIRD ANGLE PROJECTION 		SHEET NUMBER 3 OF 3		
1 PLACE \pm 0.5		DRAWING SERIES D-SIZE 172316				
0 PLACES \pm						