


Device connector, rear mounting - TU-12P1NA24300 - 1616922

Please be informed that the data shown in this PDF Document is generated from our Online Catalog. Please find the complete data in the user's documentation. Our General Terms of Use for Downloads are valid (<http://phoenixcontact.com/download>)

Device connector for rear wall, straight, shielded: yes, Bayonet locking, M23, Radial O-ring, 4xM3



Key Commercial Data

Packing unit	10 pc
GTIN	 4 046356 522205
GTIN	4046356522205

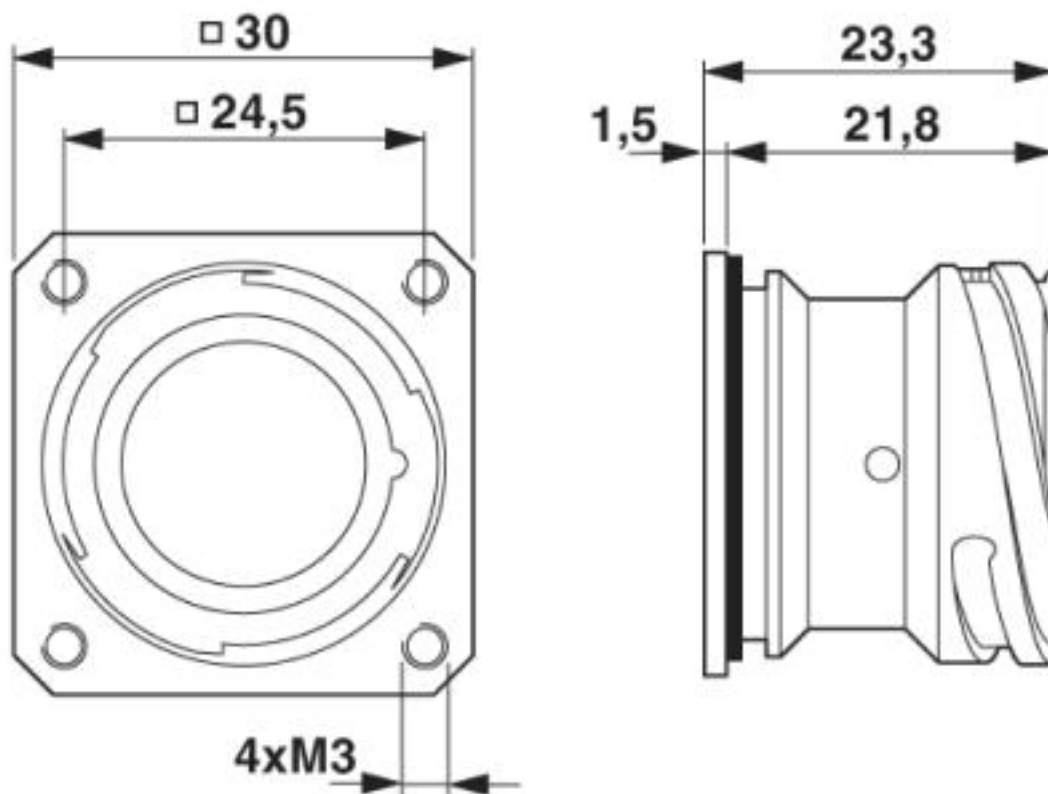
Technical data

Product type	Circular connector (cable-side)
Type	Device connector for rear wall
Thread	M23
Knurl material	Metal
Shielding	yes

Drawings

Device connector, rear mounting - TU-12P1NA24300 - 1616922

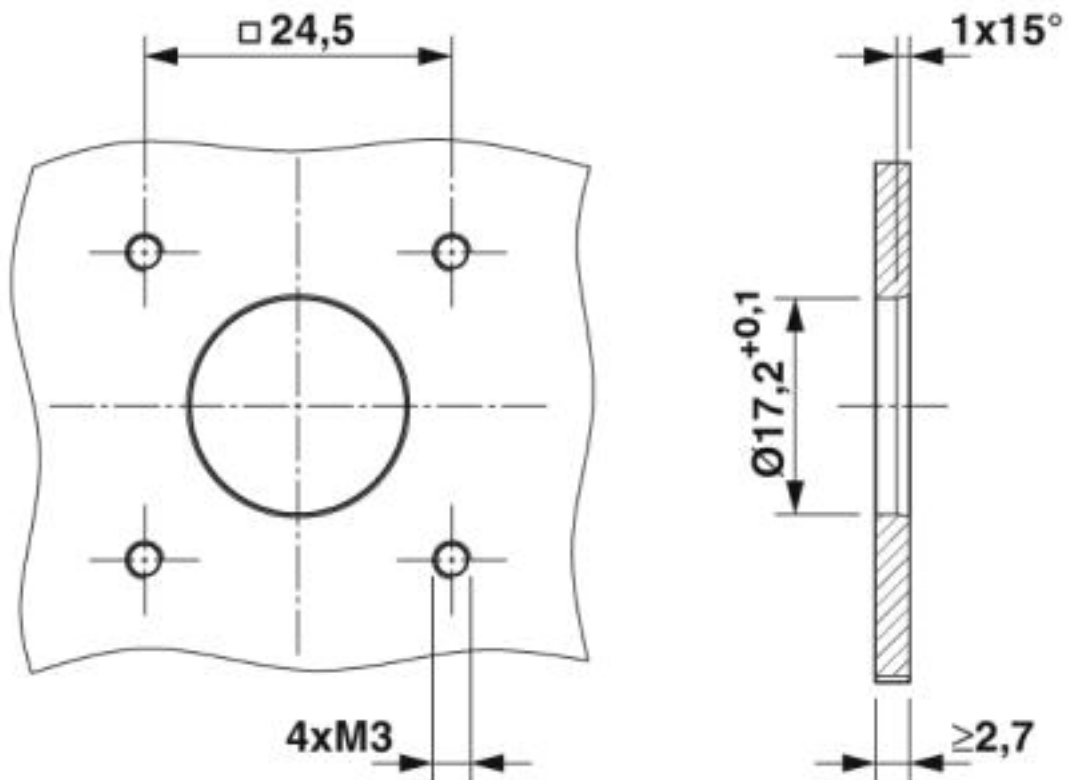
Dimensional drawing



Dimensional drawing

Device connector, rear mounting - TU-12P1NA24300 - 1616922

Dimensional drawing



Installation dimensions

Phoenix Contact 2019 © - all rights reserved
<http://www.phoenixcontact.com>

PHOENIX CONTACT GmbH & Co. KG
Flachsmarktstr. 8
32825 Blomberg
Germany
Tel. +49 5235 300
Fax +49 5235 3 41200
<http://www.phoenixcontact.com>