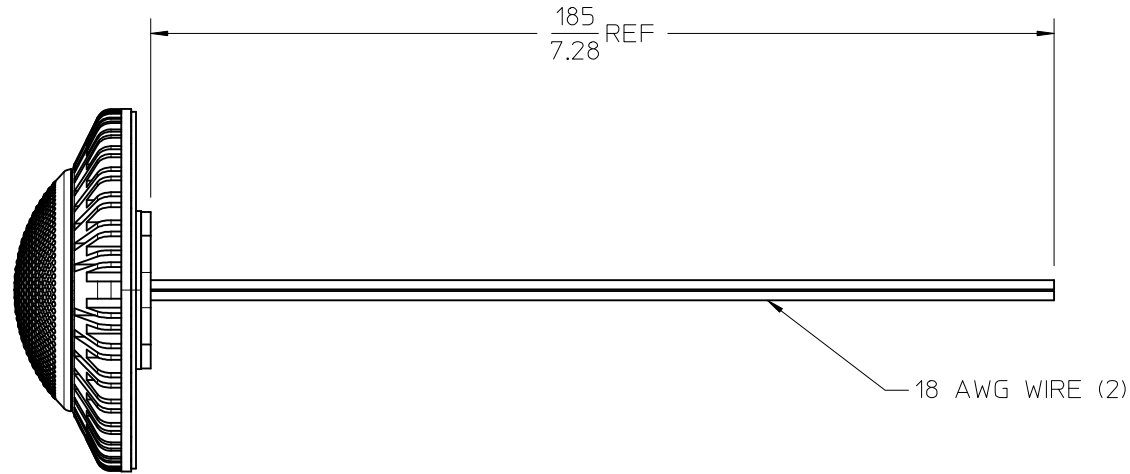


NOTES:

- 1) ALL DIMENSIONS IN MM/INCH.
- 2) MODULE MUST ONLY BE INSTALLED IN FIXTURES THAT ALLOW FREE AIRFLOW. SEALED OR OTHERWISE ENCLOSED FIXTURES COULD PREVENT PROPER FUNCTION.
- 3) PRODUCT TO MEET RoHS REQUIREMENTS.
- 4) SEE CHART FOR VOLTAGE AND CURRENT.
- 5) MODULES ARE TRAY PACKED PER PACKAGING SPEC. PK-76972-80.

REVISED/ADD SHT EC NO: UCP2010-0854 DRAWN:DMCGOWAN 2009/10/21 CHKD: 2009/10/21 APPR:VZADEREJ 2009/10/21 A3	QUALITY SYMBOLS	GENERAL TOLERANCES (UNLESS SPECIFIED)		DIMENSION STYLE		SCALE	DESIGN UNITS	THIRD ANGLE PROJECTION	
	▼=0 ▽=0	mm	INCH	MM/IN		1:1	METRIC	MOLEX PM3 LED PUCK MODULE SALES DRAWING MOLEX INCORPORATED	
		4 PLACES ± --- ± ---		DRAWN BY	DATE	TITLE			
		3 PLACES ± --- ± .008		DMCGOWAN	2009/05/22	MOLEX INCORPORATED			
2 PLACES ± 0.20 ± .012		CHECKED BY	DATE	DOCUMENT NO.					
1 PLACE ± 0.30 ± ---		DMCGOWAN	2009/05/22	SD-76972-000		SHEET NO.			
				APPROVED BY		1 OF 3		THIS DRAWING CONTAINS INFORMATION THAT IS PROPRIETARY TO MOLEX INCORPORATED AND SHOULD NOT BE USED WITHOUT WRITTEN PERMISSION	
		ANGULAR ±1/2°		MATERIAL NO.					
		DRAFT WHERE APPLICABLE MUST REMAIN WITHIN DIMENSIONS		SEE CHART					
				SIZE B					

10 9 8 7 6 5 4 3 2 1



WIRED VERSIONS

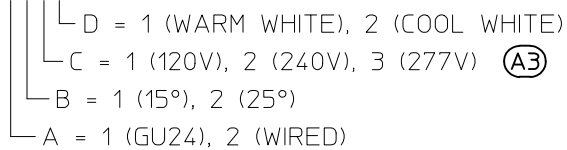
SEE SHEET 1 EC NO: UCP2010-0854 DRAWN: DMCGOWAN 2009/10/21 CHKD: 2009/10/21 APPR: VZADEREJ 2009/10/21	QUALITY SYMBOLS	GENERAL TOLERANCES (UNLESS SPECIFIED)		DIMENSION STYLE	SCALE	DESIGN UNITS	THIRD ANGLE PROJECTION		
	$\nabla F/0$	mm	INCH	MM/IN	1:1	METRIC			
	$\nabla F/0$	4 PLACES ± ---	± ---	DRAWN BY DATE	TITLE				
	$\nabla F/0$	3 PLACES ± ---	± .008	DMCGOWAN 2009/05/22	MOLEX PM3 LED PUCK MODULE SALES DRAWING MOLEX INCORPORATED				
	2 PLACES ± 0.20	± .012	CHECKED BY DATE	MATERIAL NO. SEE CHART DOCUMENT NO. SD-76972-000 SHEET NO. 2 OF 3					
	1 PLACE ± 0.30	± ---	APPROVED BY DATE	THIS DRAWING CONTAINS INFORMATION THAT IS PROPRIETARY TO MOLEX INCORPORATED AND SHOULD NOT BE USED WITHOUT WRITTEN PERMISSION					
		ANGULAR ± 1/2°							
		DRAFT WHERE APPLICABLE MUST REMAIN WITHIN DIMENSIONS							

9 8 7 6 5 4 3 2 1

ASSEMBLY P/N	GU24 OR WIRED	BEAM ANGLE	VOLTAGE	COLOR TEMP	STATUS
76972-1111	GU24	150°	120 VAC, 60 HZ, 40mA	WARM	TOOLED
76972-1112	GU24	150°	120 VAC, 60 HZ, 40mA	COOL	TOOLED
76972-1121	GU24	150°	240 VAC, 50 HZ, 20mA	WARM	TOOLED
76972-1122	GU24	150°	240 VAC, 50 HZ, 20mA	COOL	TOOLED
76972-1131	GU24	150°	277 VAC, 60 HZ, 20mA	WARM	NOT TOOLED
76972-1132	GU24	150°	277 VAC, 60 HZ, 20mA	COOL	NOT TOOLED
76972-1211	GU24	TBD	120 VAC, 60 HZ, 40mA	WARM	NOT TOOLED
76972-1212	GU24	TBD	120 VAC, 60 HZ, 40mA	COOL	NOT TOOLED
76972-1221	GU24	TBD	240 VAC, 50 HZ, 20mA	WARM	NOT TOOLED
76972-1222	GU24	TBD	240 VAC, 50 HZ, 20mA	COOL	NOT TOOLED
76972-1231	GU24	TBD	277 VAC, 60 HZ, 20mA	WARM	NOT TOOLED
76972-1232	GU24	TBD	277 VAC, 60 HZ, 20mA	COOL	NOT TOOLED
76972-2111	WIRED	150°	120 VAC, 60 HZ, 40mA	WARM	TOOLED
76972-2112	WIRED	150°	120 VAC, 60 HZ, 40mA	COOL	TOOLED
76972-2121	WIRED	150°	240 VAC, 50 HZ, 20mA	WARM	TOOLED
76972-2122	WIRED	150°	240 VAC, 50 HZ, 20mA	COOL	TOOLED
76972-2131	WIRED	150°	277 VAC, 60 HZ, 20mA	WARM	NOT TOOLED
76972-2132	WIRED	150°	277 VAC, 60 HZ, 20mA	COOL	NOT TOOLED
76972-2211	WIRED	TBD	120 VAC, 60 HZ, 40mA	WARM	NOT TOOLED
76972-2212	WIRED	TBD	120 VAC, 60 HZ, 40mA	COOL	NOT TOOLED
76972-2221	WIRED	TBD	240 VAC, 50 HZ, 20mA	WARM	NOT TOOLED
76972-2222	WIRED	TBD	240 VAC, 50 HZ, 20mA	COOL	NOT TOOLED
76972-2231	WIRED	TBD	277 VAC, 60 HZ, 20mA	WARM	NOT TOOLED
76972-2232	WIRED	TBD	277 VAC, 60 HZ, 20mA	COOL	NOT TOOLED

(A3)

P/N 76972-ABCD



(A3)

SEE SHEET 1 EC NO: UCP2010-0854 DRAWN BY: DMCGOWAN CHKD: DMCGOWAN APPR: VZADEREJ DATE: 2009/10/21	QUALITY SYMBOLS ▽=0 ▽=0	GENERAL TOLERANCES (UNLESS SPECIFIED)		DIMENSION STYLE MM/IN		SCALE 1:1	DESIGN UNITS METRIC	THIRD ANGLE PROJECTION		
						DRAWN BY DATE DMCGOWAN 2009/05/22		TITLE MOLEX PM3 LED PUCK MODULE SALES DRAWING MOLEX INCORPORATED		
						CHECKED BY DATE DMCGOWAN 2009/05/22				
						APPROVED BY DATE		DOCUMENT NO. SD-76972-000		
		ANGULAR ±1/2°		MATERIAL NO.		SHEET NO. 3 OF 3				
		DRAFT WHERE APPLICABLE MUST REMAIN WITHIN DIMENSIONS		SEE CHART		THIS DRAWING CONTAINS INFORMATION THAT IS PROPRIETARY TO MOLEX INCORPORATED AND SHOULD NOT BE USED WITHOUT WRITTEN PERMISSION				