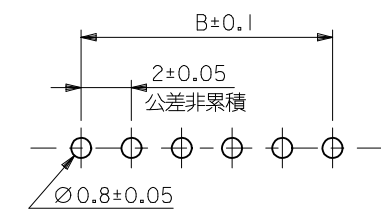


NOTE  
 1. 嵌合相手: 51382-\*\*\*\*  
 2. 偶数極 (列) に適用。  
 3. キングは両外側の位置に付加。  
 4. 製品番号 MATERIAL NO.



推奨基板寸法  
 (t = 1.6)

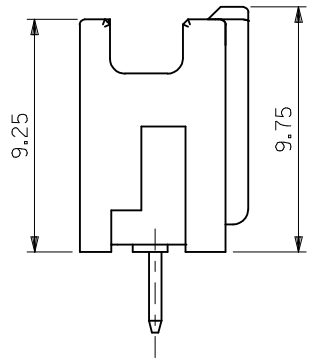
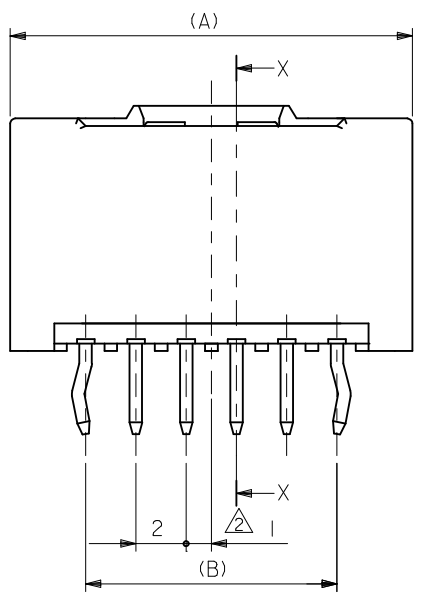
55932-\*\*\*\*

極数 CIRCUIT SIZE

色 COLOR	30	31	32	33	34	35	36	37	38	39	51	53	54	55	56	58
自然色 (白) NATURAL (WHITE)																
黒 BLACK																
赤 RED																
黄 YELLOW																
青 BLUE																
桃 PINK																
緑 GREEN																
茶 BROWN																
橙 ORANGE																
紫 VIOLET																
灰 GRAY																
蛍光黄 FLUORESCENT YELLOW																
水 PALE BLUE																
蛍光桃 FLUORESCENT PINK																
黄緑 YELLOWISH GREEN																
蛍光橙 FLUORESCENT ORANGE																

5. 材質  
 ビン : 黄銅  
 ハウジング : PBT  
 6. めっき  
 錫めっき  
 下地 : ニッケルめっき

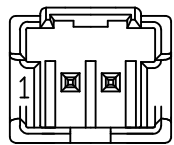
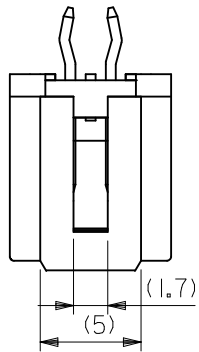
回路番号 I  
 CKT. NO. 1



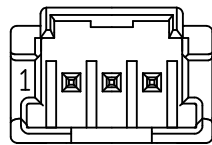
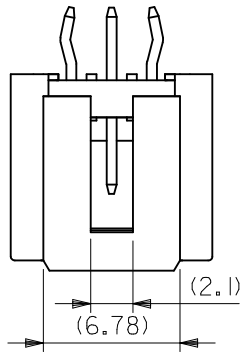
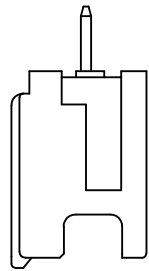
31	28	34	55932-15**	15
29	26	32	55932-14**	14
27	24	30	55932-13**	13
25	22	28	55932-12**	12
23	20	26	55932-11**	11
21	18	24	55932-10**	10
19	16	22	55932-09**	9
17	14	20	55932-08**	8
15	12	18	55932-07**	7
13	10	16	55932-06**	6
11	8	14	55932-05**	5
9	6	12	55932-04**	4
7	4	10	55932-03**	3
5	2	8	55932-02**	2
C	B	A	△ MATERIAL NO.	CKT.

MODEL NO. : 55932-\*\*\*\*  
 DESIGN UNITS  
 METRIC  
 THIRD ANGLE  
 PROJECTION

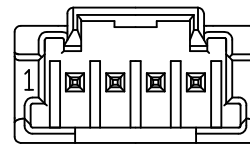
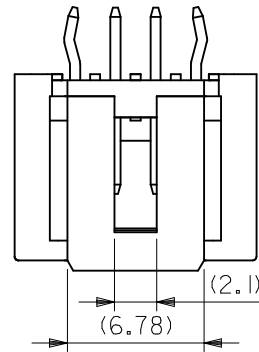
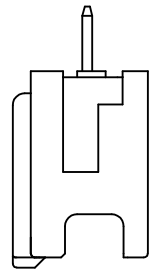
REV	DESCRIPTION	GENERAL TOLERANCES (UNLESS SPECIFIED)		DIMENSION STYLE		SCALE	TITLE
		0.25 UNDER	±0.03	MM ONLY	DATE		
		0.25 OVER	±0.05			---	2.0 W/B CONN. PLUG HOUSING ASS'Y ST -LEAD FREE-
		0.5 UNDER	±0.1				<b>molex</b>
		1.0 UNDER	±0.2				
		10 UNDER	±0.25				DOCUMENT NO.
		30 OVER	±0.3				SD-55932-006
		ANGULAR	±3 °				SHEET NO.
		DRAFT WHERE APPLICABLE MUST REMAIN WITHIN DIMENSIONS					1 OF 2
				SIZE			
				A3			
				THIS DRAWING CONTAINS INFORMATION THAT IS PROPRIETARY TO MOLEX INCORPORATED AND SHOULD NOT BE USED WITHOUT WRITTEN PERMISSION			



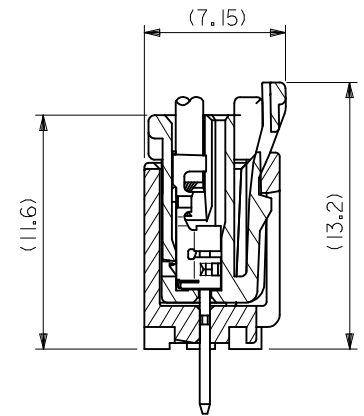
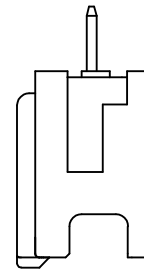
2 CIRCUIT



3 CIRCUIT

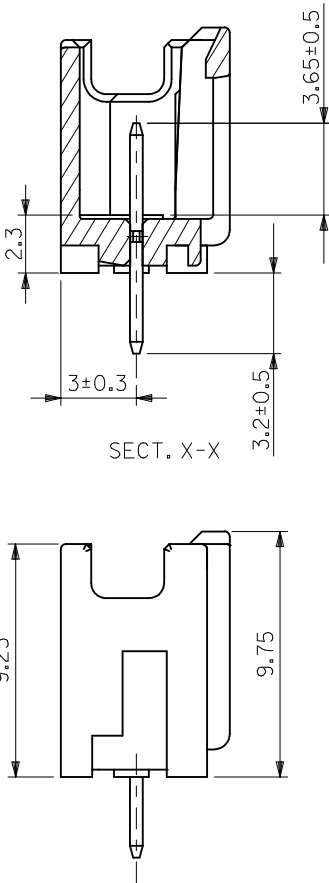
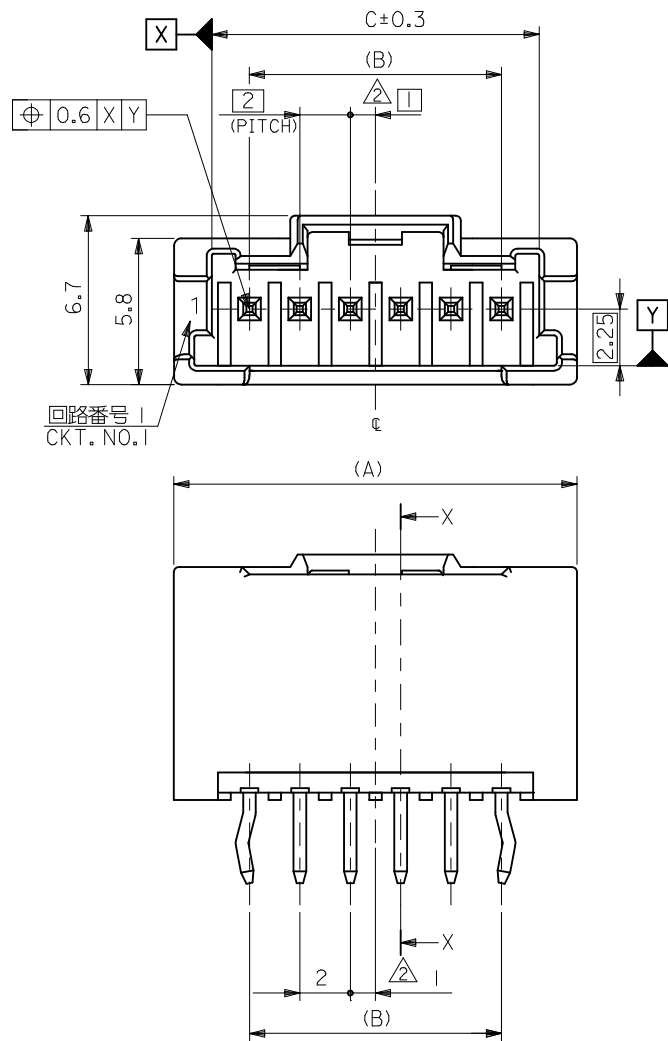


4 CIRCUIT



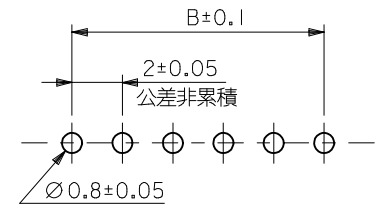
嵌合断面図

REVISED EC NO: J2015-0937 DRW:KMATSUYAMA 2015/10/05 CHK:D.KASAKAWA 2015/10/05 APPR:NUKITA 2015/10/26	GENERAL TOLERANCES (UNLESS SPECIFIED)		DIMENSION STYLE MM ONLY		SCALE ---	DESIGN UNITS METRIC	THIRD ANGLE PROJECTION	
	0.25 UNDER	±0.03	DRAWN BY T.NIITSU	DATE '02/02/08	TITLE 2.0 W/B CONN. PLUG HOUSING ASS'Y ST -LEAD FREE-			
	0.25 OVER 0.5 UNDER	±0.05	CHECKED BY K.ASAKAWA	DATE '03/06/12				
	0.5 OVER 1.0 UNDER	±0.1	APPROVED BY T.YAMAGUCHI	DATE '03/06/12	DOCUMENT NO. SD-55932-006		SHEET NO. 2 OF 2	
1.0 OVER 10 UNDER	±0.2	MATERIAL NO. SEE SHEET 1		THIS DRAWING CONTAINS INFORMATION THAT IS PROPRIETARY TO MOLEX INCORPORATED AND SHOULD NOT BE USED WITHOUT WRITTEN PERMISSION				
10 OVER 30 UNDER	±0.25	DRAFT WHERE APPLICABLE MUST REMAIN WITHIN DIMENSIONS						
30 OVER	±0.3							
ANGULAR	±3 °							



NOTE

- 1. 嵌合相手 : 51382-\*\*\*\*
- △ 偶数極 (列) に適用。
- 3. キングは両外側の位置に付加。
- 4. ピン : 黄銅、ニッケル下地錫メッキ  
ハウジング : PBT
- △ 適合リテーナー : 500638シリーズ  
APPLICABLE RETAINER : 500638 SERIES.
- △ 製品番号 MATERIAL NO.



推奨基板寸法  
(t = 1.6)

55932-\*\*\*\*

極数 CIRCUIT SIZE

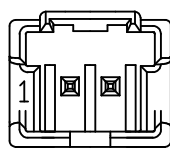
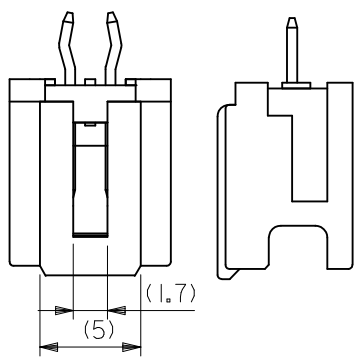
色 COLOR

30	自然色 (白) NATURAL (WHITE)
31	黒 BLACK
32	赤 RED
33	黄 YELLOW
34	青 BLUE
35	桃 PINK
36	緑 GREEN
37	茶 BROWN
38	橙 ORANGE
39	紫 VIOLET
51	灰 GRAY
53	蛍光黄 FLUORESCENT YELLOW
54	水 PALE BLUE
55	蛍光桃 FLUORESCENT PINK
56	黄緑 YELLOWISH GREEN
58	蛍光橙 FLUORESCENT ORANGE

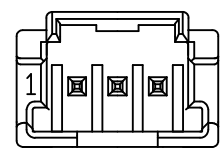
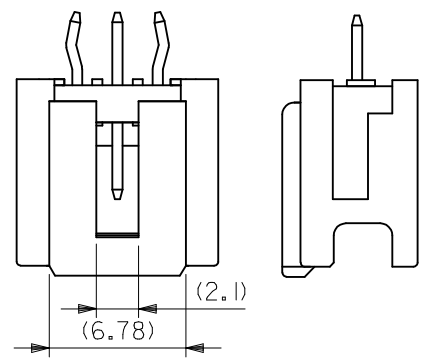
31	28	34	55932-15**	15
29	26	32	55932-14**	14
27	24	30	55932-13**	13
25	22	28	55932-12**	12
23	20	26	55932-11**	11
21	18	24	55932-10**	10
19	16	22	55932-09**	9
17	14	20	55932-08**	8
15	12	18	55932-07**	7
13	10	16	55932-06**	6
11	8	14	55932-05**	5
9	6	12	55932-04**	4
7	4	10	55932-03**	3
5	2	8	55932-02**	2
C	B	A	△ MATERIAL NO. CKT.	

MODEL NO. : 55932-\*\*\*\*

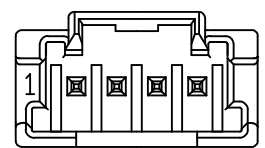
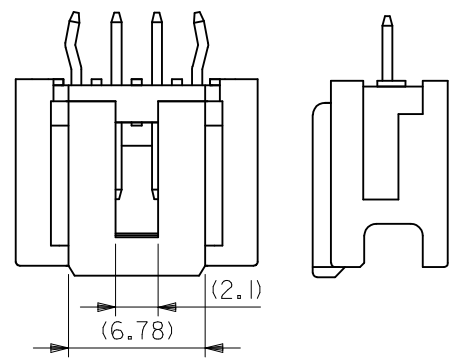
REVISED EC NO: J2016-0482 DRWN: TMIYABE 2015/10/15 CHKD: KASAKAWA 2015/11/10 APPR: NUKITA 2015/12/24	GENERAL TOLERANCES (UNLESS SPECIFIED)			DIMENSION STYLE MM ONLY		SCALE ---		DESIGN UNITS METRIC		THIRD ANGLE PROJECTION	
	0.25 UNDER	UNDER	±0.03	DRAWN BY	DATE	TITLE					
	0.25 OVER	0.5 UNDER	±0.05	YMAEDA	2005/06/13	2.0 W/B CONN.PLUG HOUSING ASS'Y W/O BOSS -LEAD FREE- <b>molex</b> SD-55932-007 SHEET NO. 1 OF 2					
	0.5 OVER	1.0 UNDER	±0.1	CHECKED BY	DATE						
	1.0 OVER	10 UNDER	±0.2	MTANAKA	2005/06/13						
10 OVER	30 UNDER	±0.25	APPROVED BY	DATE							
30 OVER		±0.3	NUKITA	2005/06/13							
ANGULAR	±3 °		MATERIAL NO.		DOCUMENT NO.						
DRAFT WHERE APPLICABLE MUST REMAIN WITHIN DIMENSIONS			SIZE A3		THIS DRAWING CONTAINS INFORMATION THAT IS PROPRIETARY TO MOLEX INCORPORATED AND SHOULD NOT BE USED WITHOUT WRITTEN PERMISSION						



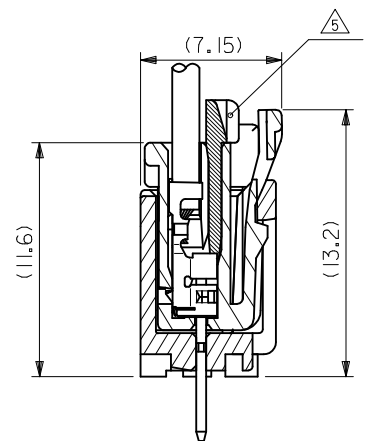
2 CIRCUIT



3 CIRCUIT



4 CIRCUIT



嵌合断面図

MODEL NO. : 55932-\*\*\*\*

REVISED EC NO: J2016-0482 DRWN: MIYABE 2015/10/13 CHKD: KASAKAWA 2015/11/10 APPR: NUKITA 2015/12/24	GENERAL TOLERANCES (UNLESS SPECIFIED)			DIMENSION STYLE MM ONLY		SCALE ---	DESIGN UNITS METRIC	THIRD ANGLE PROJECTION
	0.25 UNDER	UNDER	±0.03	DRAWN BY YMAEDA	DATE 2005/06/13	TITLE 2.0 W/B CONN.PLUG HOUSING ASS'Y W/O BOSS -LEAD FREE-		
	0.25 OVER	0.5 UNDER	±0.05	CHECKED BY MTANAKA	DATE 2005/06/13			
	0.5 OVER	1.0 UNDER	±0.1	APPROVED BY NUKITA	DATE 2005/06/13			
	1.0 OVER	10 UNDER	±0.2	MATERIAL NO. SEE SHEET 1		DOCUMENT NO. SD-55932-007	SHEET NO. 2 OF 2	
10 OVER	30 UNDER	±0.25	THIS DRAWING CONTAINS INFORMATION THAT IS PROPRIETARY TO MOLEX INCORPORATED AND SHOULD NOT BE USED WITHOUT WRITTEN PERMISSION					
30 OVER		±0.3						
ANGULAR ±3 °								
DRAFT WHERE APPLICABLE MUST REMAIN WITHIN DIMENSIONS								