

NOTES

1. GENERAL:

- 1.1. ALL PRODUCT SPECIFICATIONS AND THEIR RELATED DOCUMENTS USING THIS FEATURE MUST REFERENCE THIS DOCUMENT AS THE CONTROLLING SPECIFICATION AND USE THE SAME BALLOON NUMBERS.
- 1.2. COMPLIANCY TO THIS DOCUMENT:
 - a) COMPLIANCY MAY BE CLAIMED BY MEETING THE REQUIREMENTS IN THIS SPECIFICATION WITH THE DEVIATION IDENTIFIED AND MAY BE REFERENCED IN OTHER DOCUMENTS (DRAWINGS, DVP&R, ETC.) AS 'CONFORMS TO MOLEX 347350050 REV X.X'.
 - b) PRODUCTS DESIGNED AFTER THE DATE OF RELEASE OF THIS DOCUMENT SHALL BE COMPLIANT TO THE CURRENT REVISION OF THIS DOCUMENT.
 - c) PRODUCTS THAT HAVE MET PREVIOUS REVISION(S) OF THIS DOCUMENT SPECIFICATION SHALL STILL BE CONSIDERED 'MOLEX STANDARDS COMPLIANT' TO THOSE REVISIONS AND DO NOT NEED TO BE RE-VALIDATED.
- 1.3. DEVIATIONS TO THIS DOCUMENT ARE ALLOWABLE UNDER THE FOLLOWING CONDITIONS:
 - a) ALL DEVIATIONS SHALL SHOW EQUAL OR BETTER PERFORMANCE (ELECTRICAL/MECHANICAL) AS REQUIRED BY VALIDATION SPECIFICATION.
 - b) EXCEPTIONS ARE CLEARLY IDENTIFIED ON THE PRODUCT SPECIFICATION.
 - c) ALL DEVIATIONS ARE APPROVED BY THE FOLLOWING INDIVIDUALS:
 - PERSON WHO HAS INTERFACE RESPONSIBILITY
 - PERSON WITH DESIGN STANDARD APPROVER AUTHORITY
 - d) ALL RECORDS OF DEVIATION APPROVALS SHALL BE INCLUDED WITH CHANGE NOTICE DOCUMENTATION.

2. DESIGN - MATERIALS:

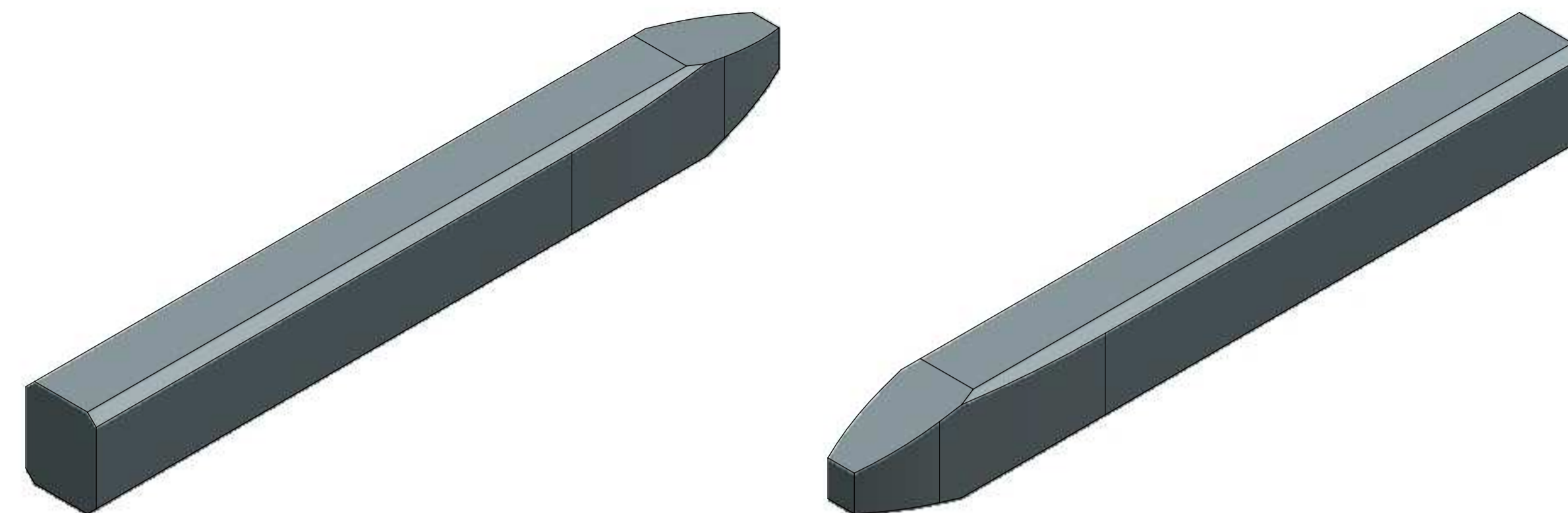
- 2.1. BASE MATERIAL TYPE : COPPER ALLOY

3. DESIGN - GEOMETRY:

- 3.1. THE 3-D CAD DATA IS BASIC (WITHOUT TOLERANCE) AND MASTER FOR THIS PART WITH EXCEPTION TO UNDERLINED DIMENSIONS. DIMENSIONAL INFORMATION NOT SHOWN ON THIS DRAWING IS DEFINED BY THE DATA FILE AT ITS LATEST REVISION.
- 3.2. PRODUCT DESIGN MODEL NUMBER(S): SEE BOM TABLE
- 3.3. GEOMETRIC DIMENSIONS AND TOLERANCES PER ASME Y14.5-2009
- 3.4. EDGES OF UNDEFINED SHAPE PER ISO 13715.
- 3.5. DIMENSIONS AND TOLERANCES APPLY BEFORE AND AFTER PLATING.
- 3.6. GENERAL TOLERANCES: SEE TITLE BLOCK

4. DESIGN - MANUFACTURING:

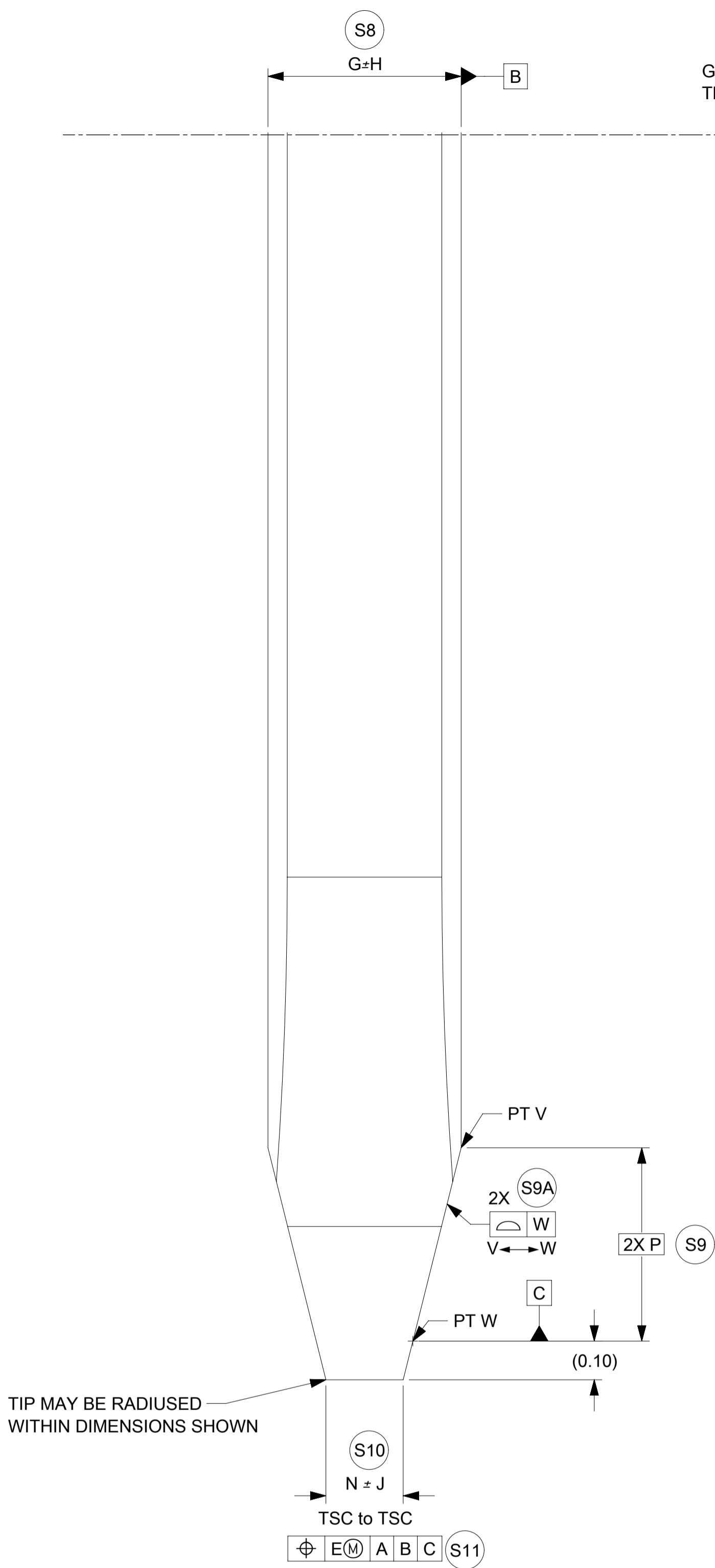
- 4.1. ANY REMAINING PROCESS LUBRICANT MUST NOT VARNISH OR DEGRADE ELECTRICAL PERFORMANCE. PROCESS LUBRICANTS SHOULD BE APPROVED BY THE RESPONSIBLE ENGINEER.
- 4.2. ALLOWABLE BURR: 0.03mm MAX UNLESS OTHERWISE SPECIFIED
- 4.3. FOR UNPLATES BLADES - TOOLING MARKS SPANNING ACROSS OR ALONG THE INTERFACING PROFILE OF THE BLADE SHOULD BE FURTHER INSPECTED. A TOOLING MARK DEEPER THAN 1 MICRON SHOULD NOT BE ACCEPTED.



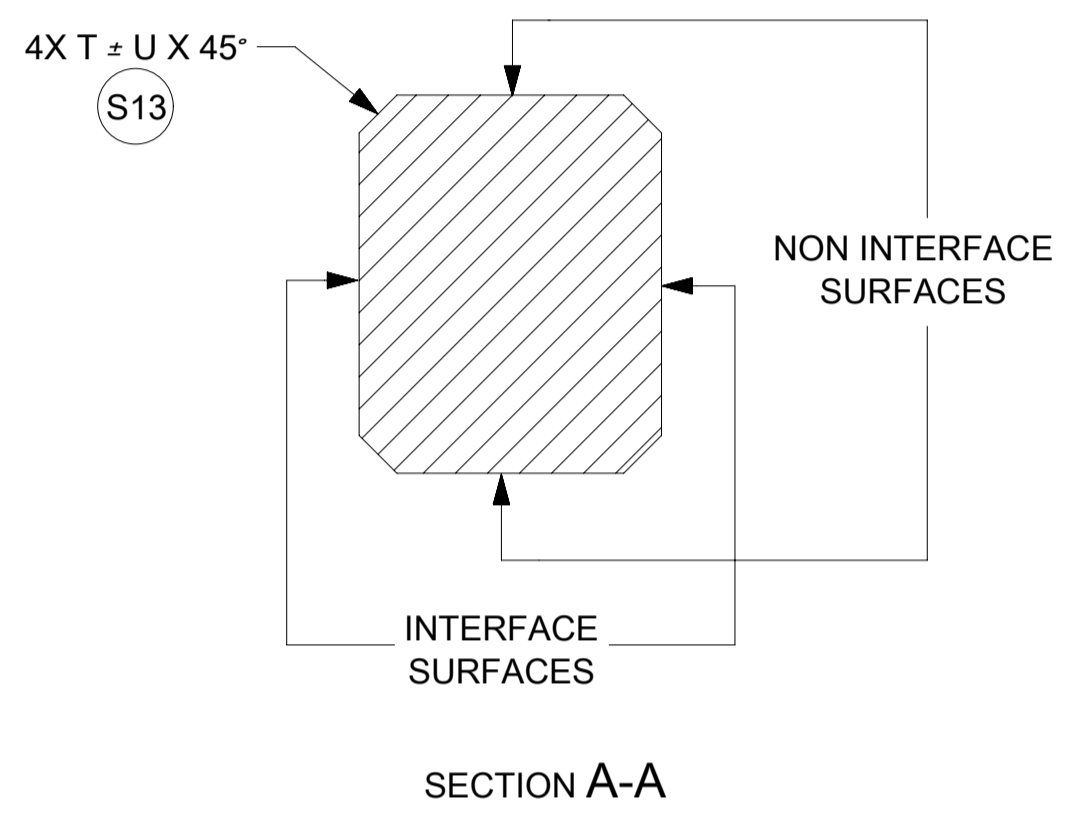
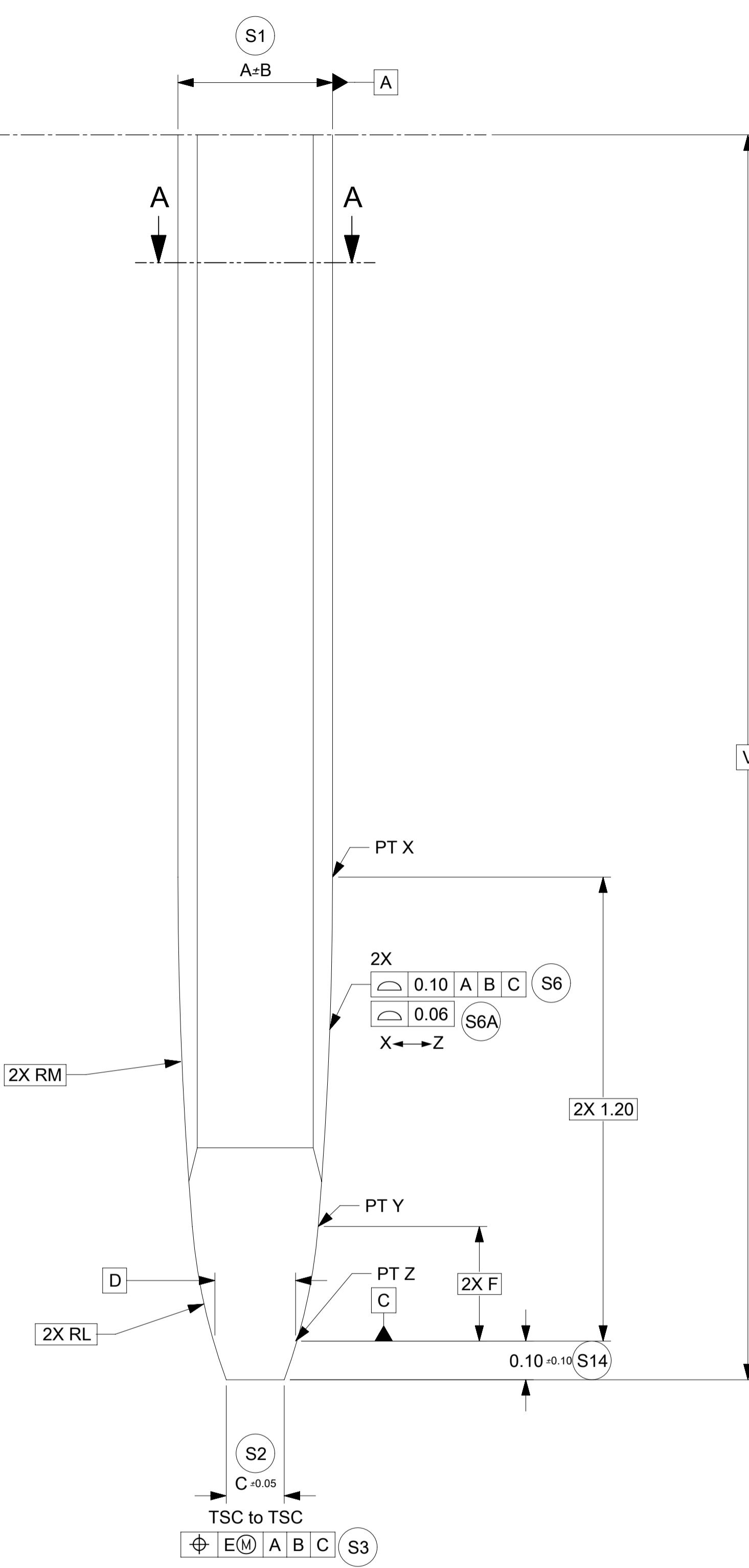
SCALE 50:1

0.5 MM PIN VIEW SHOWN FOR REPRESENTATION PURPOSES ONLY

THIS DRAWING CONTAINS INFORMATION THAT IS PROPRIETARY TO MOLEX ELECTRONIC TECHNOLOGIES, LLC AND SHOULD NOT BE USED WITHOUT WRITTEN PERMISSION											
QUALITY SYMBOLS	EC NO: 638183 DRWN: SIAZRAWI CHKD: YLEPOTTIER REV: APPR: YLEPOTTIER	GENERAL TOLERANCES (UNLESS SPECIFIED)		DIMENSION UNITS	SCALE						
		ANGULAR TOL ± °		mm	50:1						
▽ = 0	A19	4 PLACES ±		DRWN BY	DATE	DESIGN STANDARD HEADER PIN & BLADE TIP GEOMETRY FOR MATING TO HARNESS TERMINALS					
▽ = 0		3 PLACES ± 0.015		SJAZRAWI	2016/08/16						
▽ = 0		2 PLACES ± 0.05		CHK'D BY	DATE						
▽ = 0		1 PLACE ± 0.1		APPR BY	DATE	PRODUCT CUSTOMER DRAWING					
▽ = 0		0 PLACES ±		YLEPOTTIER	2016/09/27						
▽ = 0		DRAFT WHERE APPLICABLE MUST REMAIN WITHIN DIMENSIONS		DRAWING SIZE	THIRD ANGLE PROJECTION	SERIES	MATERIAL NUMBER	CUSTOMER	DOCUMENT NUMBER: 347350050 DOC TYPE: PSD DOC PART: 000 SHEET NUMBER: 1 OF 2		
▽ = 0			A1		34735						



GEOMETRY & PLATING ABOVE THE LINE IS NOT CONTROLLED BY THIS DOCUMENT



SCALE 100:1

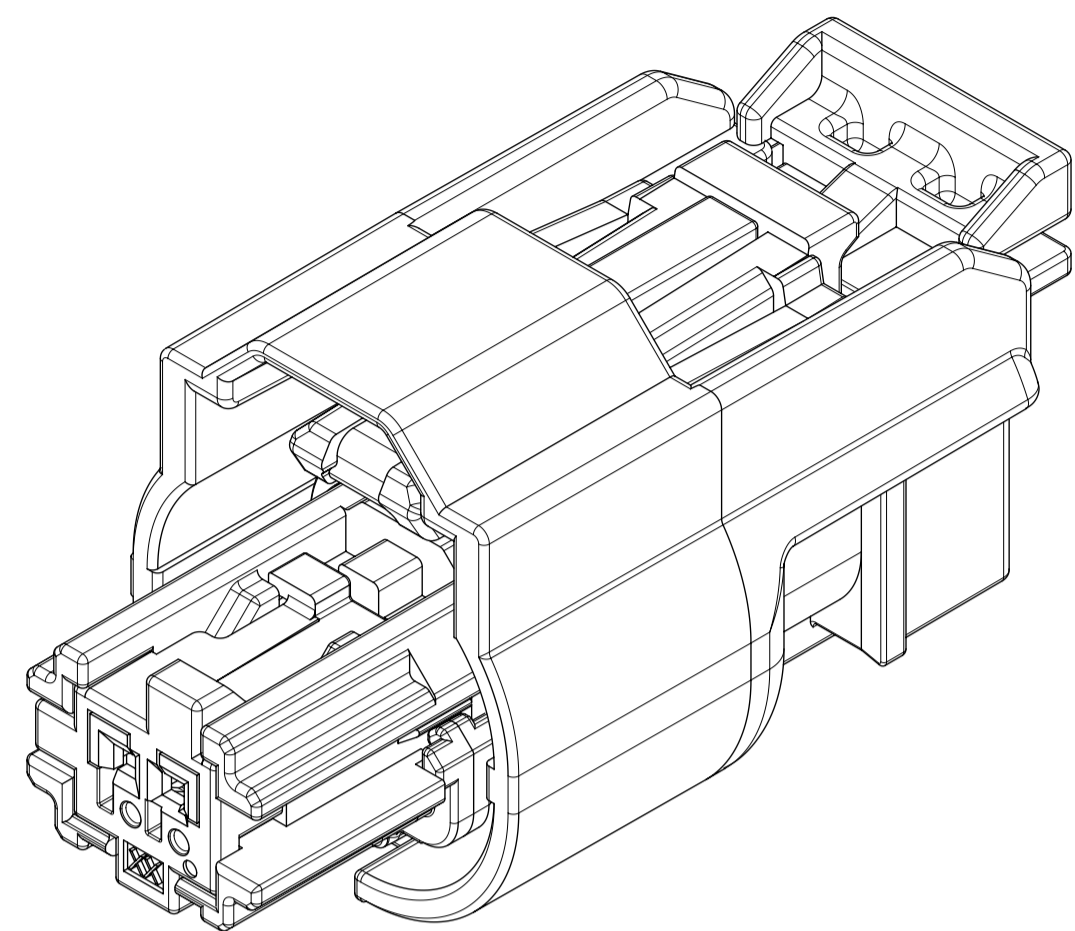
TABLE 1		DRAWING DIMENSIONS																	
Model NO.	Description	A	B	C	D	E	F	G	H	J	L	M	N	P	T	U	V	W	
34735-0004	0.50mm BLADE	0.40	0.015	0.15	0.216	0.05	0.296	0.50	0.03	0.05	1.5	11	0.20	0.50	0.05	0.03	4.0 MIN	0.08	
34735-0001	0.64mm BLADE - NORMAL THICKNESS	0.64	0.03	0.25	0.356	0.10	0.285	0.64	0.03	0.05	1	7	0.25	0.55	0.05	0.03	5.5 MIN	0.08	
34735-0002	0.64mm BLADE - REDUCED THICKNESS	0.625	0.015	0.234	0.341	0.10	0.285	0.64	0.03	0.05	1	7	0.25	0.55	0.05	0.03	5.5 MIN	0.08	
34735-0006	1.20mm BLADE - HEADER	0.60	0.015	0.21	0.316	0.10	0.285	1.00	0.05	0.05	1	7	0.59	0.55	0.05	0.03	5.5 MIN	0.13	
34735-0006	1.20mm BLADE - INLINE	0.60	0.015	0.21	0.316	0.10	0.285	1.20	0.05	0.05	1	7	0.59	0.55	0.05	0.03	5.5 MIN	0.13	
34735-0003	1.50mm BLADE	0.80	0.03	0.25	0.321	0.10	1.10	1.50	0.05	0.10	4.775	1.083	0.5	1.68	0.05	0.03	5.0 MIN	0.13	
34735-0010	2.8mm BLADE - HEADER	0.80	0.025	0.20	0.345	0.10	0.314	2.50	0.10	0.10	1	4	1.80	1.10	0.05	0.03	9.5 MIN	0.25	
34735-0011	6.3mm BLADE - HEADER	0.80	0.025	0.20	0.345	0.10	0.314	6.0	0.25	0.20	1	4	3.90	1.10	0.05	0.03	10.5 MIN	0.13	

THIS DRAWING CONTAINS INFORMATION THAT IS PROPRIETARY TO MOLEX ELECTRONIC TECHNOLOGIES, LLC AND SHOULD NOT BE USED WITHOUT WRITTEN PERMISSION

QUALITY SYMBOLS □ = 0 ▽ = 0 ▽ = 0 ▽ = 0 ▽ = 0 ▽ = 0 ▽ = 0 ▽ = 0 ▽ = 0	EC NO: 638183 DRWN: SJAZRAWI CHKD: YLEPOTTIER APPR: YLEPOTTIER	2020/05/20 2020/05/23 2020/05/23	GENERAL TOLERANCES (UNLESS SPECIFIED) 4 PLACES ± 3 PLACES ± 0.015 2 PLACES ± 0.05 1 PLACE ± 0.1 0 PLACES ±	DIMENSION UNITS: mm SCALE: 100:1 DRWN BY: SJAZRAWI DATE: 2016/08/16 CHK'D BY: YLEPOTTIER DATE: 2016/09/27 APPR BY: YLEPOTTIER DATE: 2016/09/27	<p>DESIGN STANDARD HEADER PIN & BLADE TIP GEOMETRY FOR MATING TO HARNESS TERMINALS</p> <p>PRODUCT CUSTOMER DRAWING</p>
	DRAFT WHERE APPLICABLE MUST REMAIN WITHIN DIMENSIONS		DRAWING SIZE: A1 THIRD ANGLE PROJECTION	SERIES: 34735 MATERIAL NUMBER: 347350050 CUSTOMER:	
	RELEASE STATUS: P1 RELEASE DATE: 2020/05/23 03:21:07		DOCUMENT NUMBER: 347350050 DOC TYPE: PSD DOC PART: 000 SHEET NUMBER: 2 OF 2		

TABLE OF CONTENTS	
SHEET NO.	SHEET DESCRIPTION
1	NOTES AND BOM
2	CONFIGURATIONS
3	RECEPTACLE CONNECTOR ASSEMBLY

PART NUMBER AND MATING INTERFACE CHART					
PART NUMBER	KEY	COVER COLOR	CPA INCLUDED	INTERFACE PART NUMBER	
349672001	A	BLACK	YES	349682801	
349672002	B	LIGHT GRAY	YES	349682802	
349672003	C	DARK GRAY	YES	349682803	
349672004	D	STONE GRAY	YES	349682804	
349672005	A	BLACK	NO	349682801	
349672006	B	LIGHT GRAY	NO	349682802	
349672007	C	DARK GRAY	NO	349682803	
349672008	D	STONE GRAY	NO	349682804	



SCALE 5:1

NOTES: VALID UNLESS OTHERWISE SPECIFIED

1. GENERAL:

A. APPLICATION SPECIFICATION SEE: AS-34894-0001

-CONTAINS: PRODUCT INTRODUCTION, PRODUCT SUMMARY, CONNECTOR ASSEMBLY, PACKAGING INFORMATION, CONNECTOR MATING, SERVICE INSTRUCTIONS, ELECTRICAL CONTINUITY CHECKING, CRIMPING, AND TROUBLESHOOTING.

B. TERMINALS TO BE USED WITH THIS ASSEMBLY:

MOLEX CTX50 SEALED RECEPTACLE TERMINALS FOR INFORMATION ON TERMINALS SEE MOLEX DRAWING 349050400 AND TERMINAL PRODUCT SPECIFICATION PS-34905-001.

C. CONNECTOR PRODUCT SPECIFICATION SEE 349670001 PS

CONTAINS: PRODUCT INTRODUCTION, PRODUCT SUMMARY, RATINGS AND PRODUCT VALIDATION. VALIDATED TO USCAR 2 REV 6. RATINGS: T3 V1 S2

D. DESIGNED TO MATE WITH DEVICE INTERFACE AS SPECIFIED IN PART NUMBER AND INTERFACE CHART. SEE MOLEX DRAWING 349682800 FOR INTERFACE SPECIFICATION.

E. ASSEMBLY SHIPPED WITH ISL IN PRE-LOCK POSITION (SEE ISL PRE-LOCK VIEW SHEET 3).

F. PACKAGING SPECIFICATION PER MOLEX DRAWING: PK-31301-898

G. PARTS MUST BE IN COMPLIANCE TO MOLEX CHEMICAL SUBSTANCES FOR PRODUCTS AND PACKAGING SPECIFICATION: ES-40000-5016

H. DATA MUST BE SUBMITTED UNDER THE MOLEX PART NUMBER TO IMDS (COMPANY ID#13255)

2. DESIGN - MATERIALS:

CONNECTOR HOUSING: PA66, GF35, BLACK

TERMINAL HOUSING: PA66, GF35, BLACK

COVER: PA66, GF35, COLORS IN PART NUMBER CHART

ISL: SPS, GF30, NATURAL

MAT SEAL: INHERENTLY LUBRICATED SILICONE, ROYAL BLUE

RING SEAL: INHERENTLY LUBRICATED SILICONE, ROYAL BLUE

CPA (OPTIONAL): PBT, GF30, RED

3. DESIGN - GEOMETRY:

A. ALL GRAPHIC DATA IS BASIC (NO TOLERANCE) AND MUST BE TAKEN FROM THE DATA FILE AT ITS LATEST REVISION.

B. GEOMETRIC DIMENSIONS AND TOLERANCES PER ASME Y14.5-2009

C. EDGES AND UNDIMENSIONED DETAILS PER ISO13715

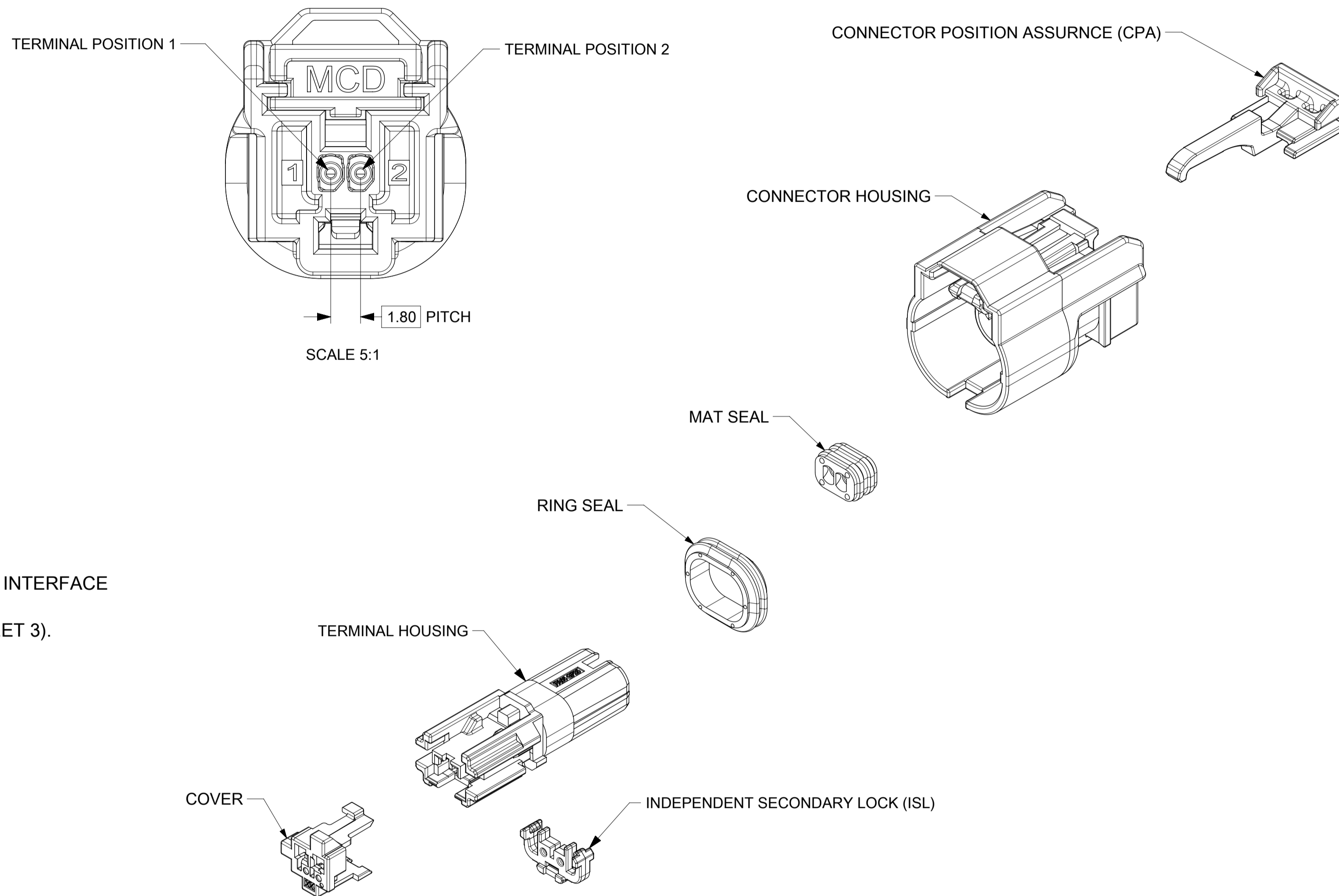
D. CORNERS SHOWN AS SHARP TO BE R 0.2 MAX.

E. LETTERING SHALL BE 0.15 MAX RAISED IN 0.25 MAX RECESS PAD.

THIS INCLUDES RECYCLING CODE, CAVITY ID, VENDOR IDENTIFICATION, AND CUSTOMER MATERIAL NUMBER.

F. VISUAL DEFECTS SHALL MEET COSMETIC STANDARD PS-45499-002 (Class B).

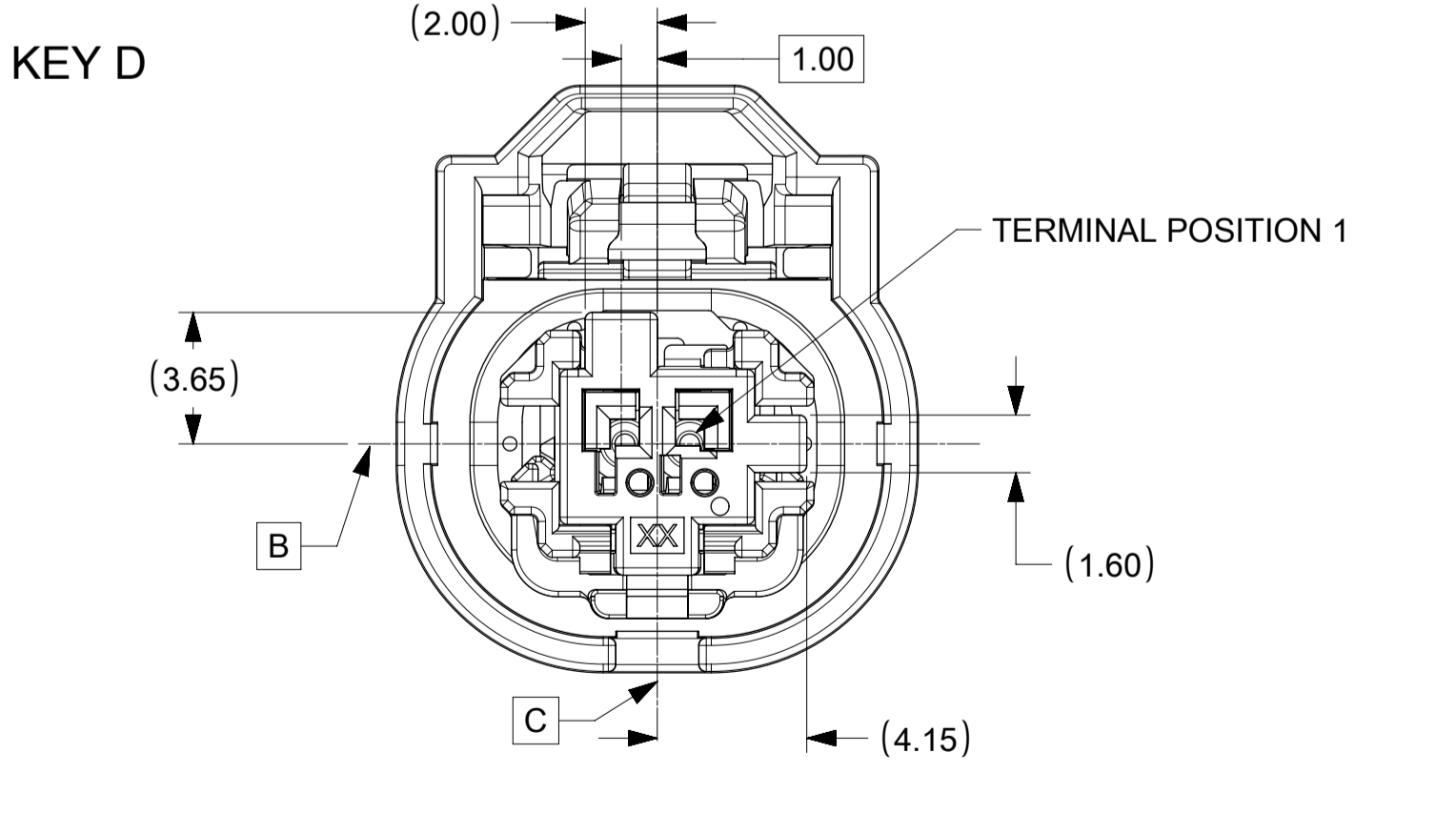
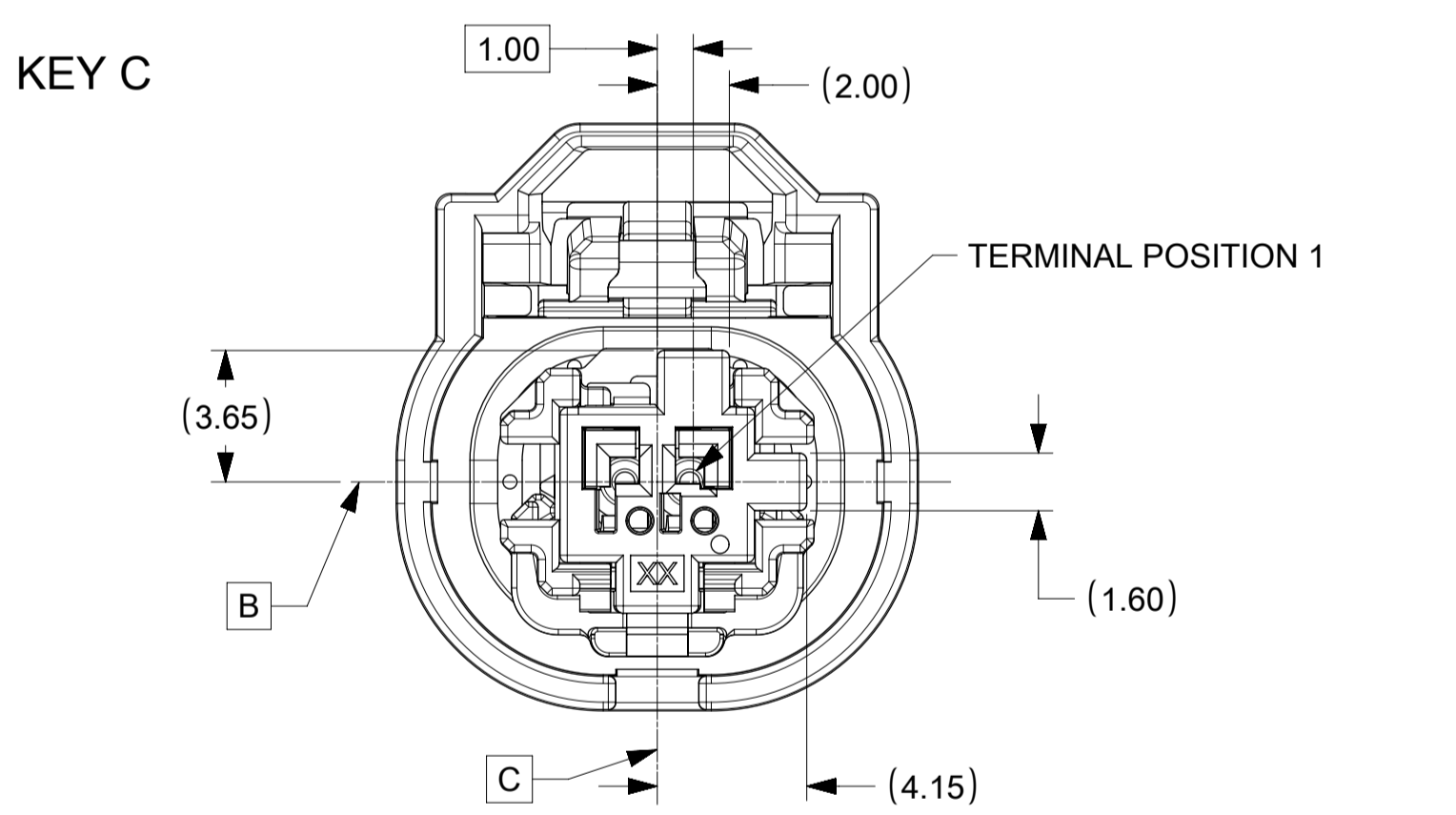
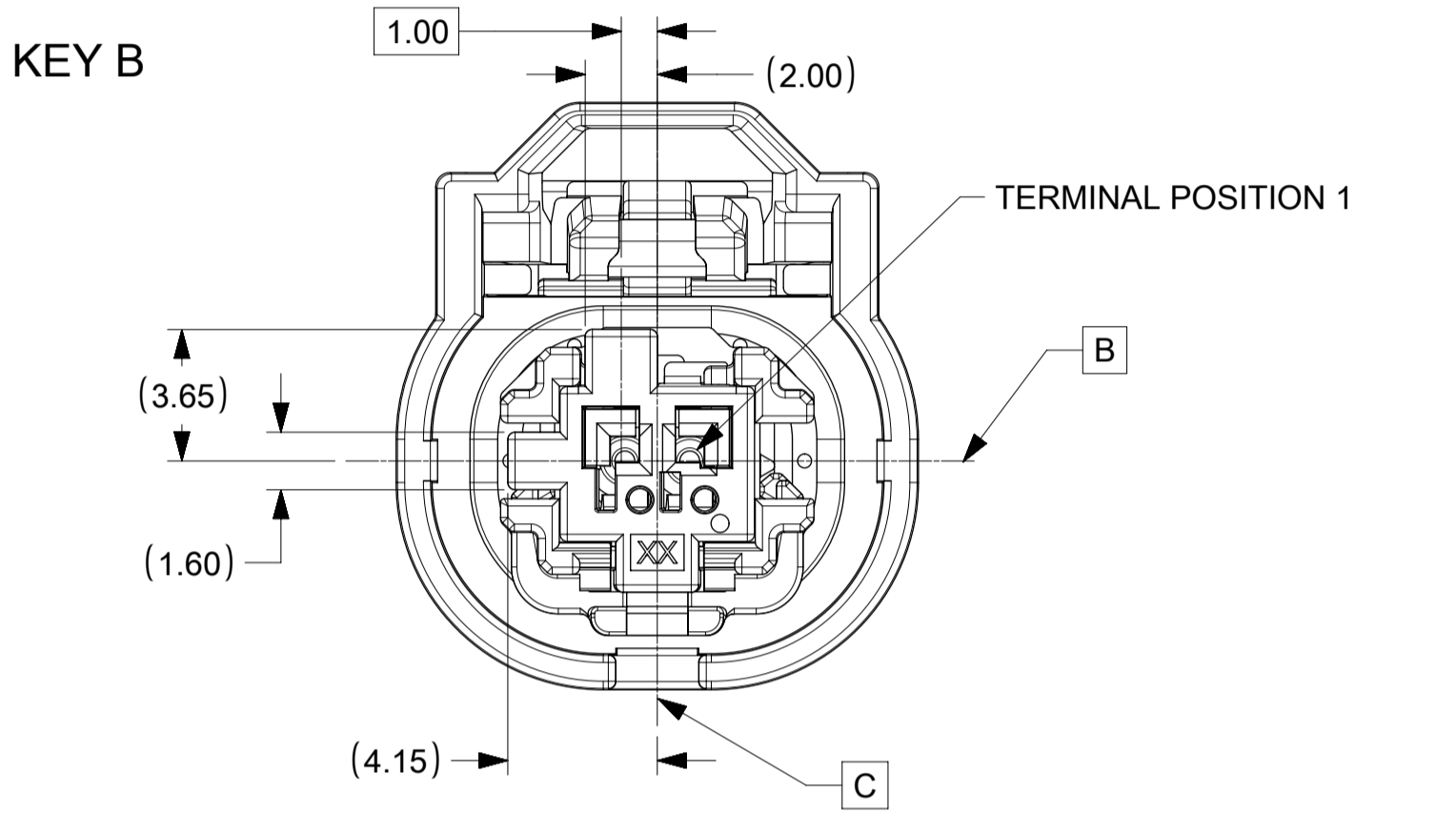
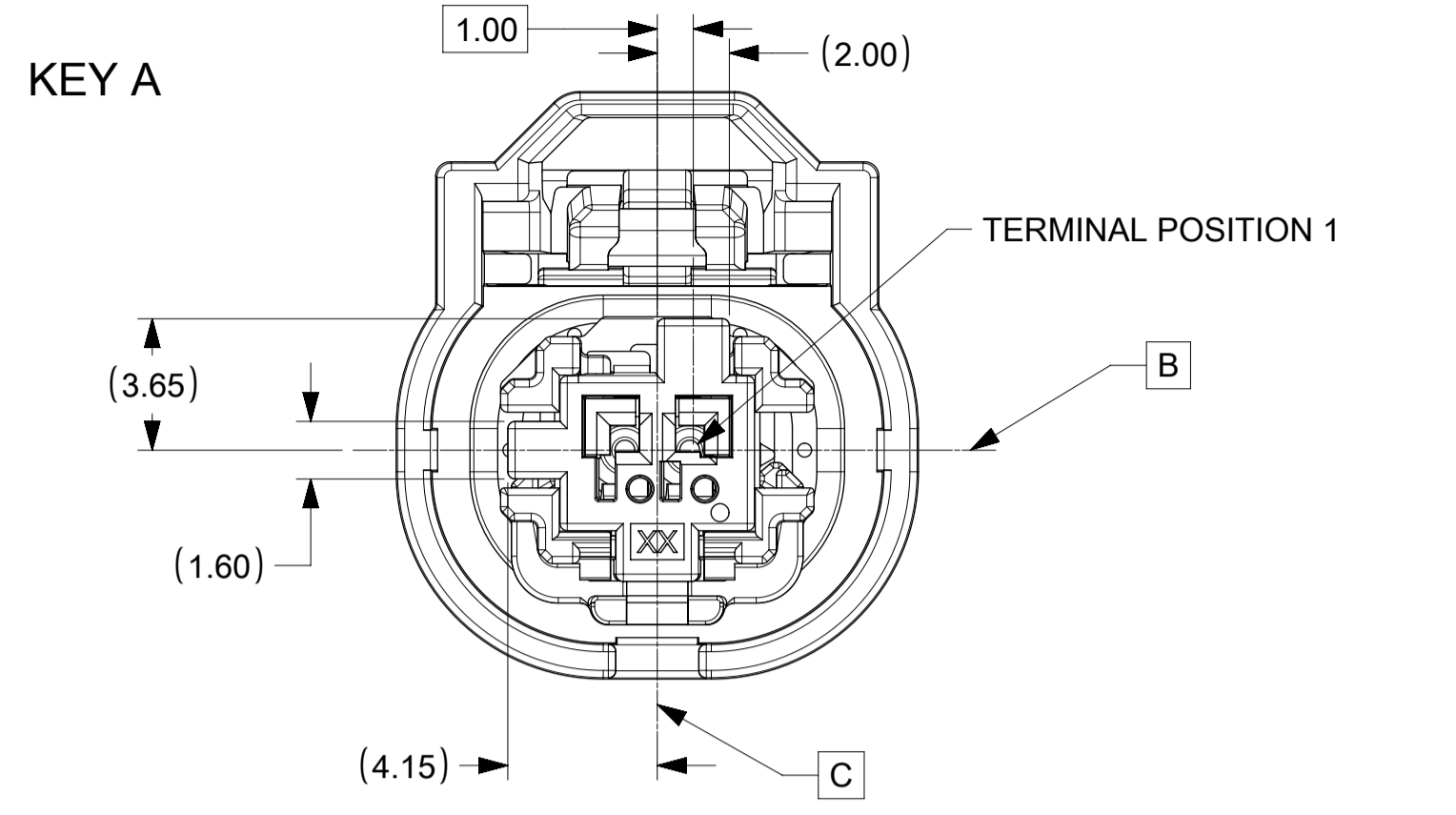
G. PARTS ARE LASER MARKED WITH PART NUMBER AND DATE CODE



SYMBOLS	THIS DRAWING CONTAINS INFORMATION THAT IS PROPRIETARY TO MOLEX ELECTRONIC TECHNOLOGIES, LLC AND SHOULD NOT BE USED WITHOUT WRITTEN PERMISSION		CURRENT REV DESC: REMOVED DEVELOPMENT NOTICE			
	DIMENSION UNITS	SCALE				
$\nabla = 0$	mm	3:1	EC NO: 612798	MINI50 SEALED 1X2 RCPT ASSY		
$\nabla = 0$	GENERAL TOLERANCES (UNLESS SPECIFIED)		DRWN: MLI149	2019/02/28		
$\nabla = 0$	ANGULAR TOL $\pm 3.0^\circ$		CHK'D: JCONDON	2019/02/28		
$\nabla = 0$	4 PLACES	\pm	APPR: JCONDON	2019/02/28		
$\nabla = 0$	3 PLACES	\pm	INITIAL REVISION:			
$\nabla = 0$	2 PLACES	± 0.1	DRWN: MLI149		2017/05/10	DOCUMENT NUMBER
$\nabla = 0$	1 PLACE	± 0.2	APPR: JCONDON		2017/09/13	DOC TYPE DOC PART REVISION
$\nabla = 0$	0 PLACES	\pm	349672000			PSD 000 A2
$\square = 0$	DRAFT WHERE APPLICABLE MUST REMAIN WITHIN DIMENSIONS		THIRD ANGLE PROJECTION	DRAWING	SERIES	MATERIAL NUMBER
$\nabla = 0$				A1-SIZE	34967	CUSTOMER
			SEE CHART			SHEET NUMBER
					1 OF 3	

SHEET DESCRIPTION

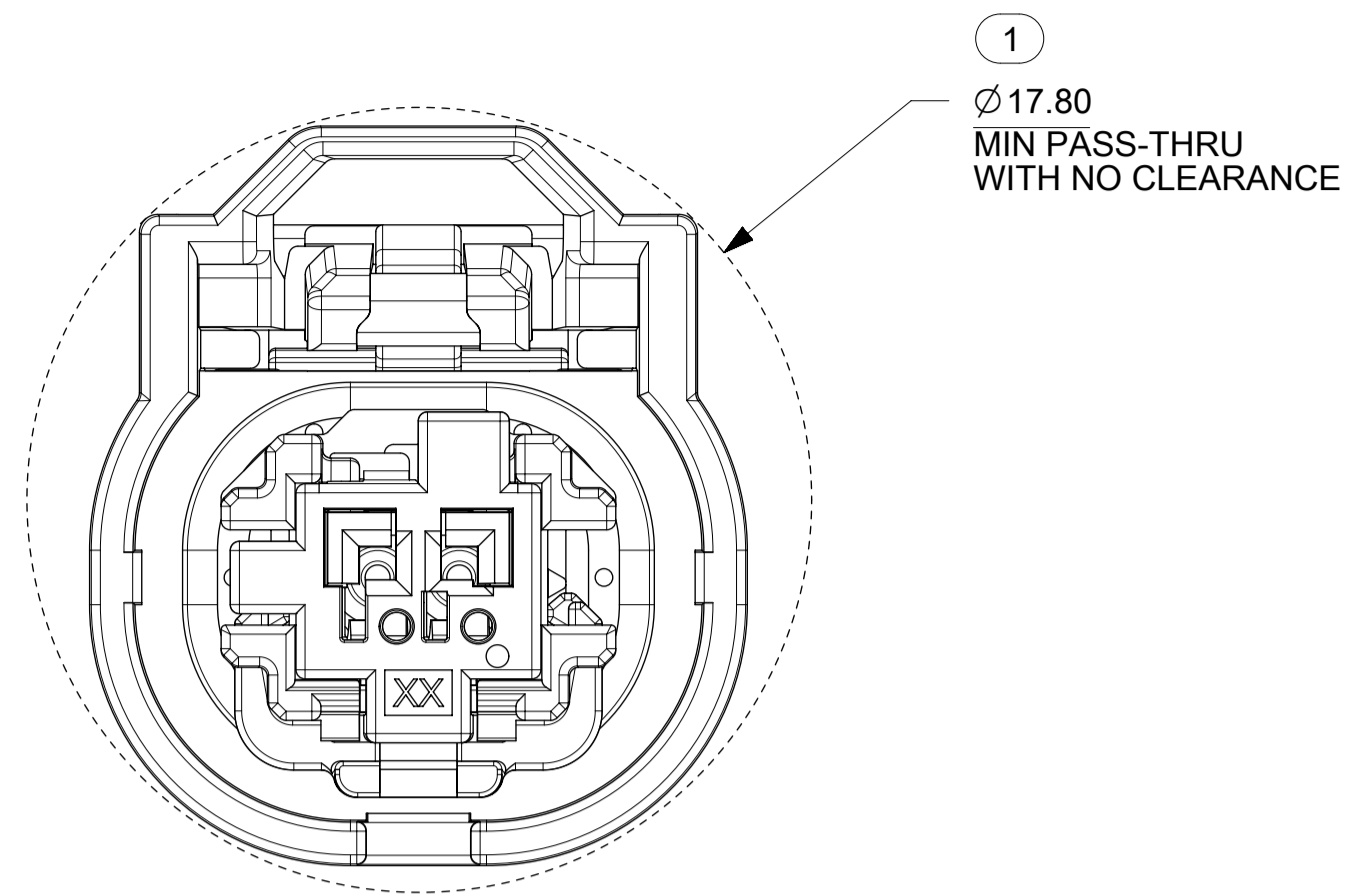
KEY CONFIGURATIONS



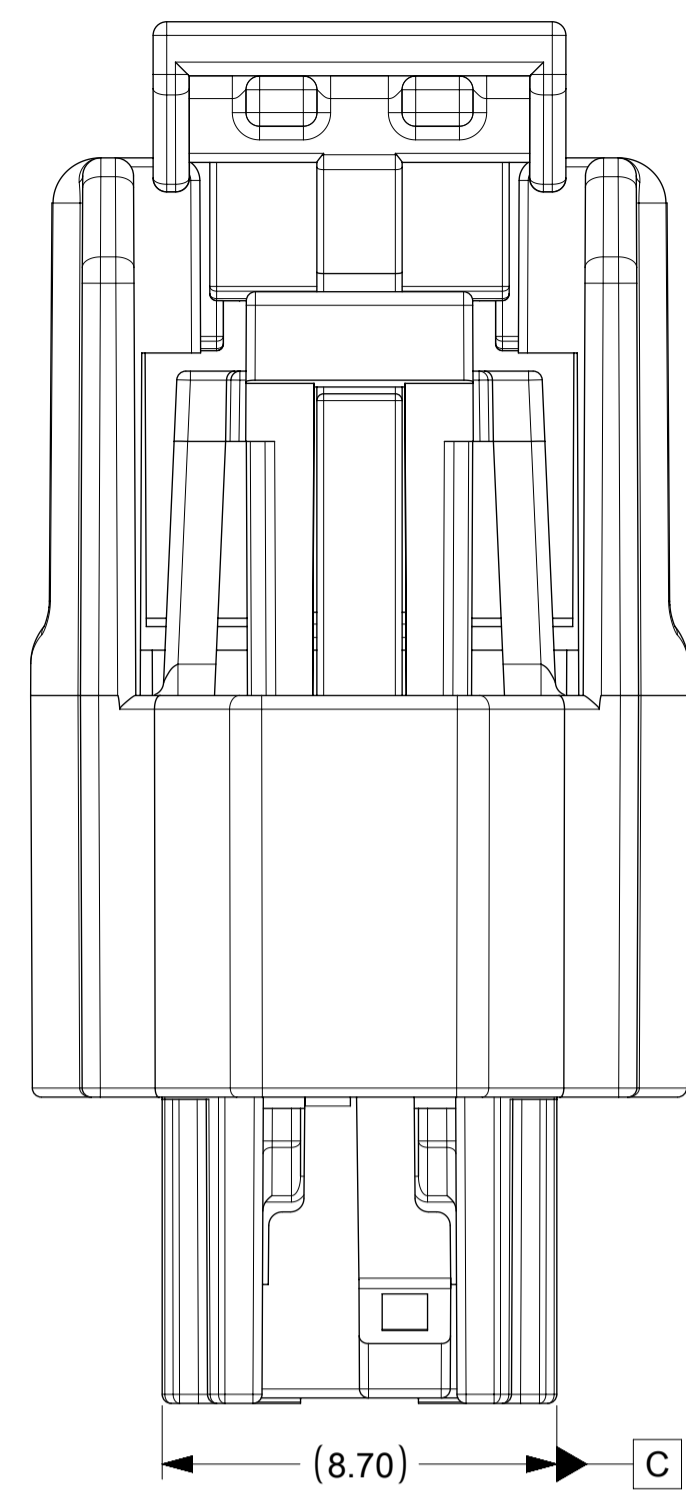
SYMBOLS	THIS DRAWING CONTAINS INFORMATION THAT IS PROPRIETARY TO MOLEX ELECTRONIC TECHNOLOGIES, LLC AND SHOULD NOT BE USED WITHOUT WRITTEN PERMISSION		
	DIMENSION UNITS	SCALE	CURRENT REV DESC: REMOVED DEVELOPMENT NOTICE
= 0	mm	5:1	<p>molex</p> <p>MINI50 SEALED 1X2 RCPT ASSY</p> <p>PRODUCT CUSTOMER DRAWING</p>
= 0	GENERAL TOLERANCES (UNLESS SPECIFIED)		
= 0	ANGULAR TOL ± 3.0°		
= 0	4 PLACES ±	EC NO: 612798	
= 0	3 PLACES ±	DRWN: MLI149 2019/02/25	
= 0	2 PLACES ± 0.1	CHK'D: JCONDON 2019/02/28	
= 0	1 PLACE ± 0.2	APPR: JCONDON 2019/02/28	
= 0	0 PLACES ±	INITIAL REVISION:	
= 0	DRAFT WHERE APPLICABLE MUST REMAIN WITHIN DIMENSIONS	DRWN: MLI149 2017/05/10	DOCUMENT NUMBER
= 0	THIRD ANGLE PROJECTION	APPR: JCONDON 2017/09/13	349672000
	DRAWING	SERIES	DOC TYPE DOC PART REVISION
	A1-SIZE	34967	PSD 000 A2
			MATERIAL NUMBER CUSTOMER SHEET NUMBER
			SEE CHART 2 OF 3

SHEET DESCRIPTION

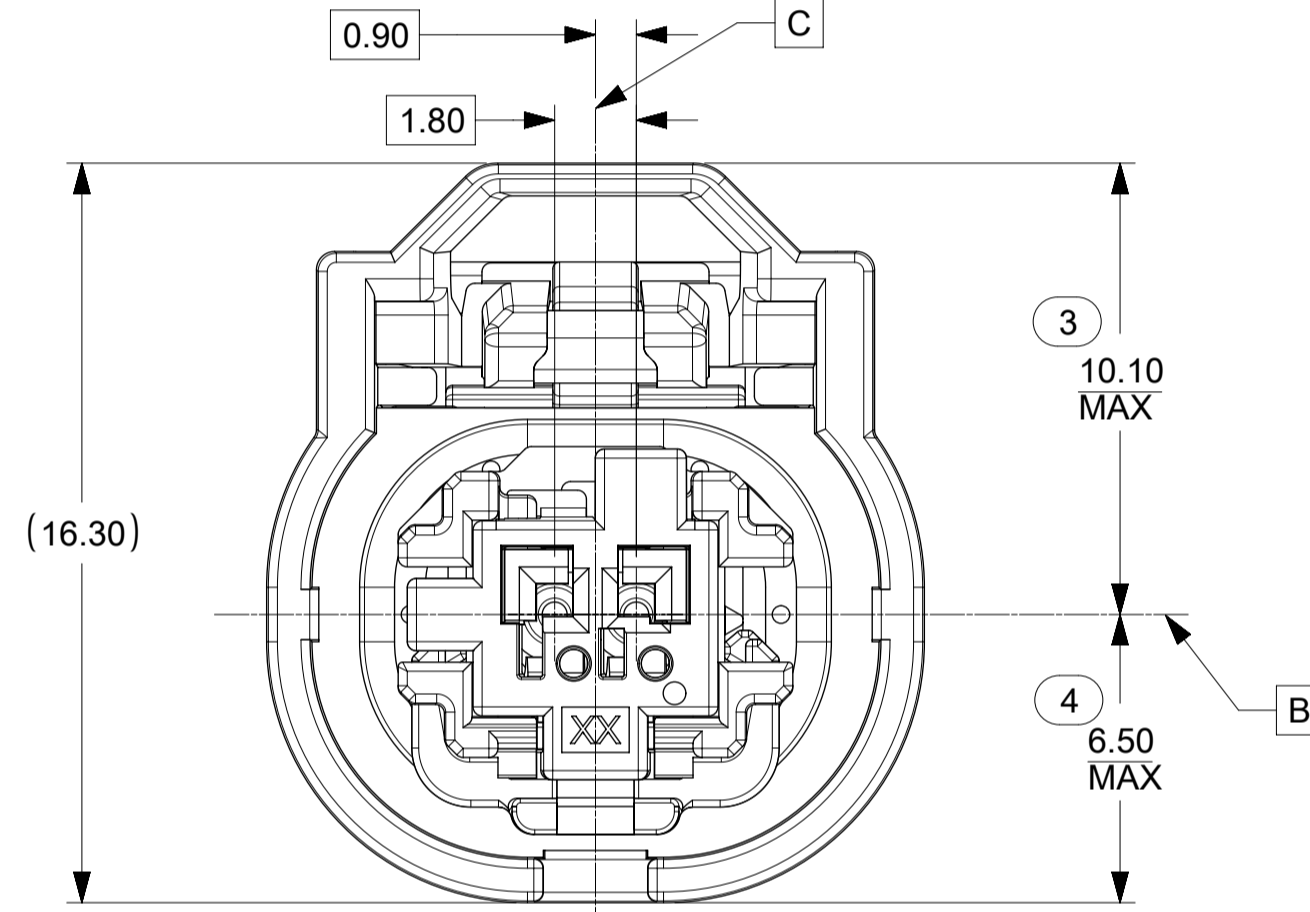
RECEPTACLE CONNECTOR ASSEMBLY



1
 $\varnothing 17.80$
 MIN PASS-THRU
 WITH NO CLEARANCE



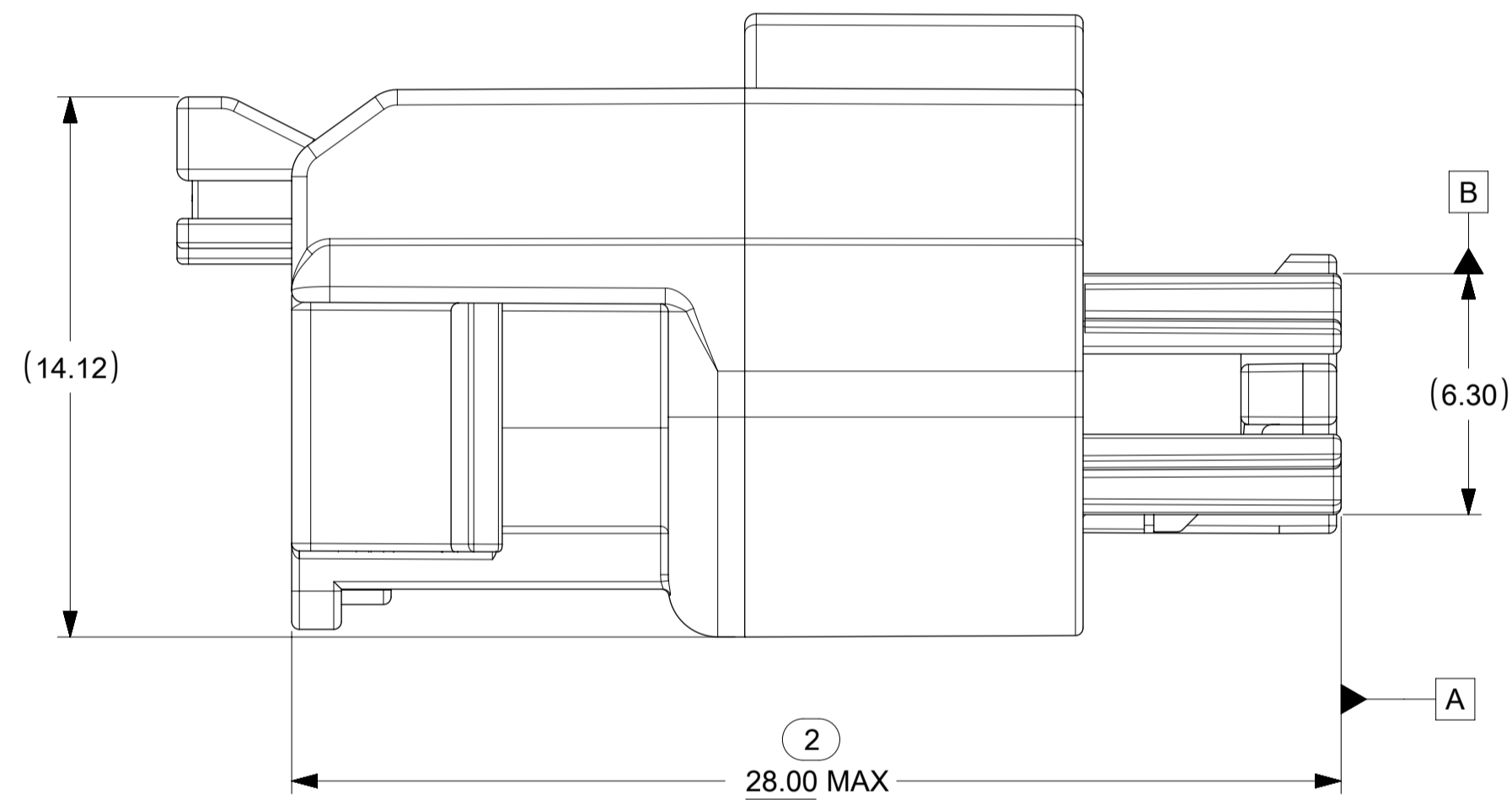
(8.70)



(16.30)

3
 10.10
 MAX

4
 6.50
 MAX



(14.12)

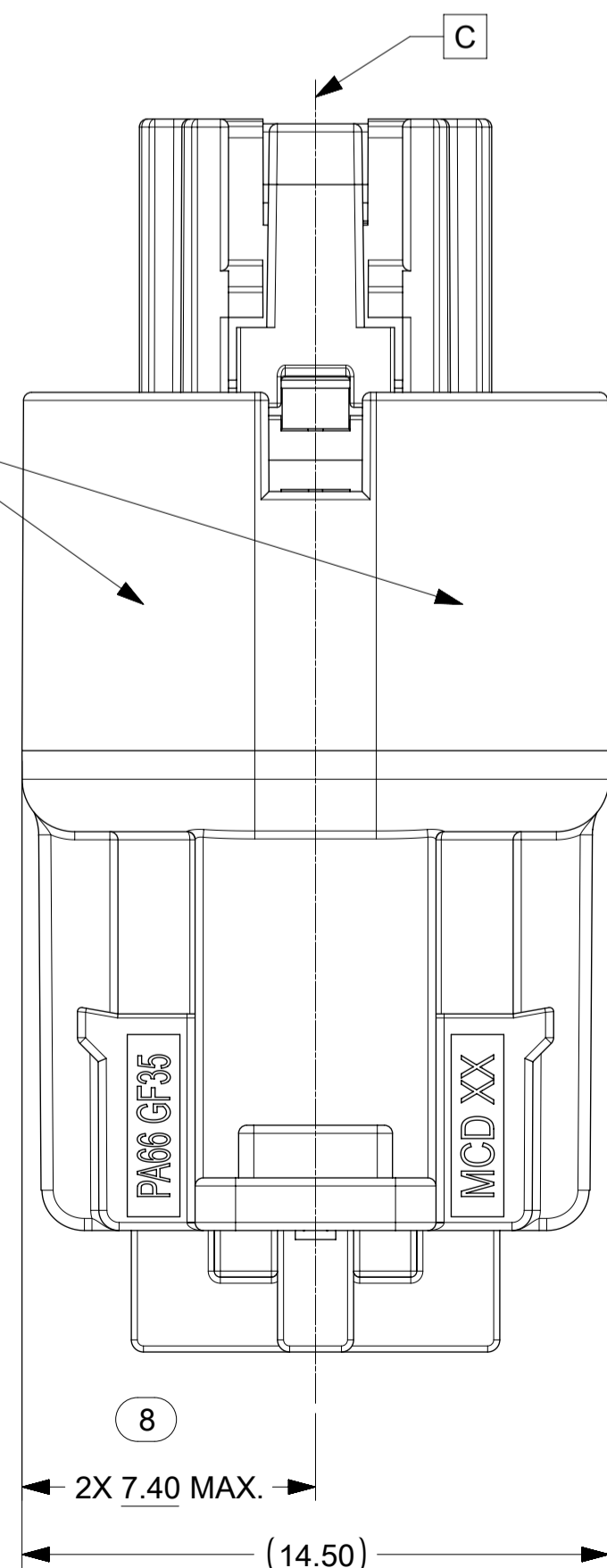
2
 28.00 MAX

B

(6.30)

A

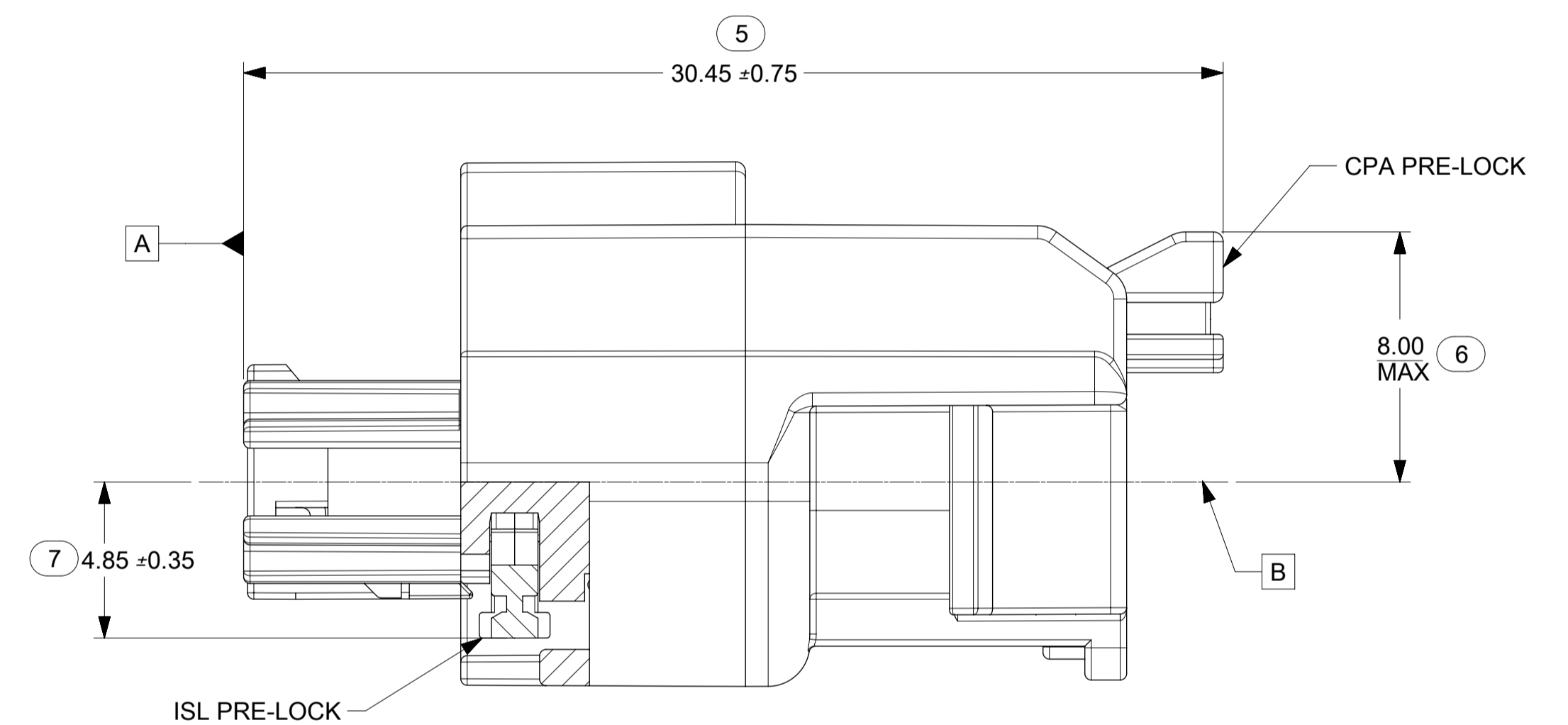
LASER MARKING:
 PART # & DATE CODE



8

2X 7.40 MAX.

(14.50)



5
 30.45 ± 0.75

6
 8.00
 MAX

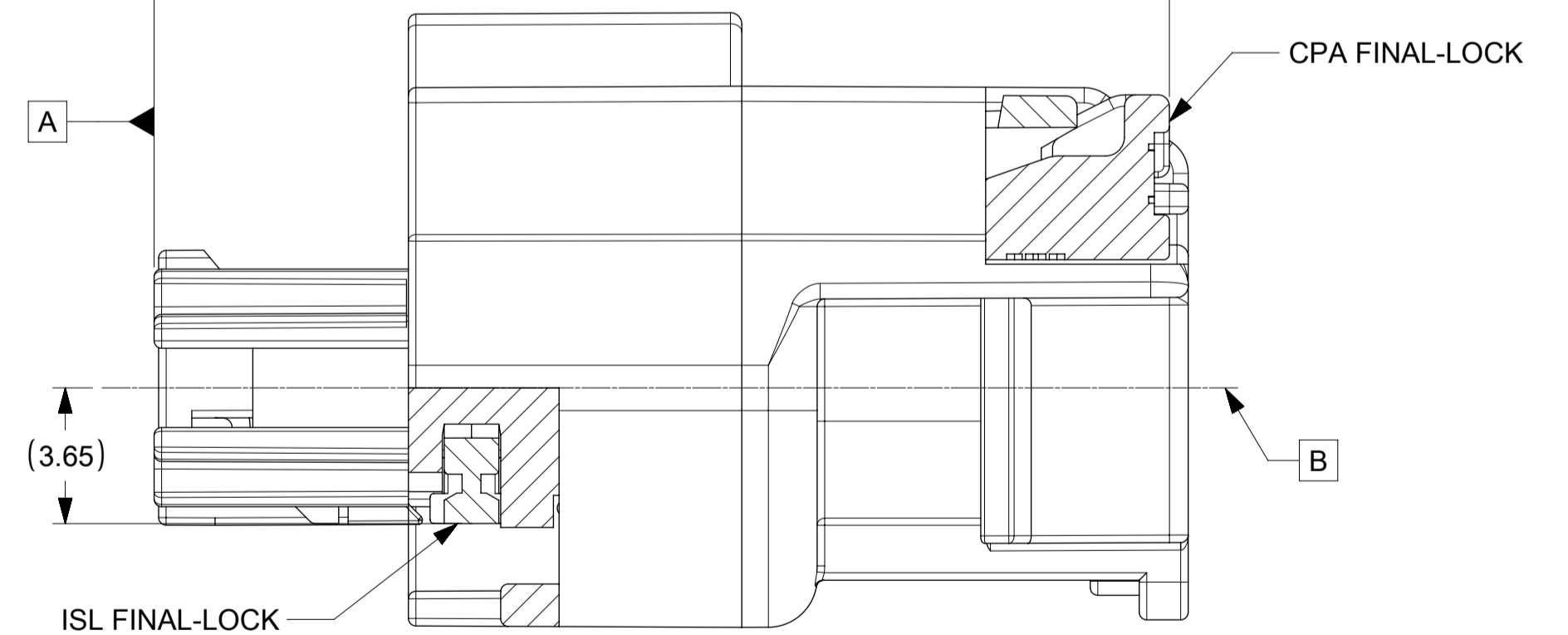
7
 4.85 ± 0.35

ISL PRE-LOCK

CPA PRE-LOCK

A

B



(26.95)

(3.65)

ISL FINAL-LOCK

CPA FINAL-LOCK

A

B

SYMBOLS				THIS DRAWING CONTAINS INFORMATION THAT IS PROPRIETARY TO MOLEX ELECTRONIC TECHNOLOGIES, LLC AND SHOULD NOT BE USED WITHOUT WRITTEN PERMISSION			
	= 0	mm	6:1	CURRENT REV DESC: REMOVED DEVELOPMENT NOTICE			
	= 0	GENERAL TOLERANCES (UNLESS SPECIFIED)		EC NO: 612798			
	= 0	ANGULAR TOL	± 3.0°	DRWN: MLI149	2019/02/25	2019/02/28	
	= 0	4 PLACES	±	CHK'D: JCONDON	2019/02/28	2019/02/28	
	= 0	3 PLACES	±	APPR: JCONDON			
	= 0	2 PLACES	± 0.1	INITIAL REVISION:			
	= 0	1 PLACE	± 0.2	DRWN: MLI149	2017/05/10	2017/09/13	
	= 0	0 PLACES	±	APPR: JCONDON			
	= 0	DRAFT WHERE APPLICABLE MUST REMAIN WITHIN DIMENSIONS		THIRD ANGLE PROJECTION	DRAWING	SERIES	MATERIAL NUMBER
	= 0				A1-SIZE	34967	SEE CHART

molex

MINI50 SEALED 1X2 RCPT ASSY

PRODUCT CUSTOMER DRAWING

DOCUMENT NUMBER	DOC TYPE	DOC PART	REVISION
349672000	PSD	000	A2

MATERIAL NUMBER	CUSTOMER	SHEET NUMBER
SEE CHART		3 OF 3

TABLE OF CONTENTS	
SHEET NO.	SHEET DESCRIPTION
1	INTERFACE NOTES AND BOM
2	INTERFACE KEY CONFIGURATIONS
3	INTERFACE DEFINITION
4	INTERFACE DATUM TARGETS

MATING INTERFACE CHART			
DESCRIPTION	COLOR	MODEL NUMBER	KEY
1X2, KEY A, BLACK	BLACK	349682801	A
1X2, KEY B, LIGHT GRAY	LIGHT GRAY	349682802	B
1X2, KEY C, DARK GRAY	DARK GRAY	349682803	C
1X2, KEY D, STONE GRAY	STONE GRAY	349682804	D

NOTES: VALID UNLESS OTHERWISE SPECIFIED

1. GENERAL:

REFER TO "SAE/USCAR 12 CONNECTOR GUIDELINES" AND "SAE/USCAR 2 PERFORMANCE SPECIFICATION FOR AUTOMOTIVE ELECTRICAL CONNECTOR SYSTEMS" FOR ADDITIONAL REQUIREMENTS.

2. DESIGN - MATERIALS:

- a. HOUSING: SPS/NYLON 20% GLASS FILLED OR EQUIVALENT
FLAMMABILITY REQUIREMENT: PER ISO3795 OR GMW3191
 - 1. BURN RATE 100mm/MIN MAXIMUM
 - 2. MATERIAL MUST BE SELF EXTINGUISHING
- b. BLADE TERMINAL: SEE MOLEX SALES DRAWING 347350050. FOR MATERIAL, DIMENSIONAL, PLATING AND COATING REQUIREMENTS AND ANY BLADE TERMINAL DESIGN INFORMATION NOT SHOWN ON REFERENCED OR THIS DRAWING SEE EWCAP DWG NO. EWCAP-001.
 - 1. TIN PLATING: 2.5-4.0 MICROMETERS MATTE TIN OVER 1.25-2.25 MICROMETERS DUCTILE SULFAMATE NICKEL
 - 2. SILVER PLATING: 1.9-3.3 MICROMETERS SILVER OVER 1.0-1.8 MICROMETERS DUCTILE SULFAMATE NICKEL.
ANTI-TARNISH: SYNTHETIC HYDROCARBON CONTACT SURFACE FINISH OR EQUIVALENT APPLIED WITHOUT VOID TO CONTACT AREA

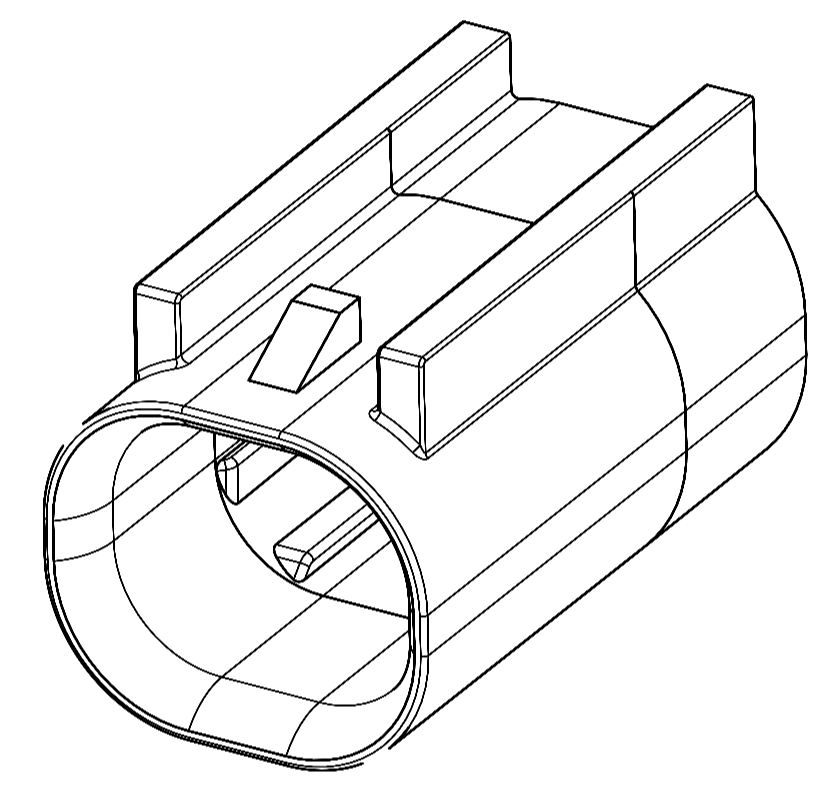
c. STANDARD COLORS FOR KEYING (SEE CHART). DEVIATION REQUIRES APPROVAL OF AUTHORIZED PERSON.

3. DESIGN - GEOMETRY:

- a. THE 3-D CAD DATA IS BASIC (WITHOUT TOLERANCE) AND THE MASTER FOR THIS PART WITH THE EXCEPTION OF UNDERLINED DIMENSIONS. DIMENSIONAL INFORMATION NOT SHOWN IN THIS DRAWING IS DEFINED BY THE DATA FILE AT ITS LATEST REVISION.
- b. PRODUCT DESIGN MODEL NUMBER(S): SEE MATING INTERFACE CHART
- c. GEOMETRIC DIMENSIONS AND TOLERANCES PER ASME Y14.5-2009
- d. GENERAL TOLERANCES: SEE TITLE BLOCK
- e. EDGES AND UNDIMENSIONED DETAILS PER ISO13715
- f. CORNERS SHOWN AS SHARP TO BE R0.2 MAX.
- g. LETTERING SHALL BE 0.15 MAX RAISED IN 0.25 MAX RECESS PAD.
THIS INCLUDES RECYCLING CODE, CAVITY ID, VENDOR IDENTIFICATION, AND CUSTOMER MATERIAL NUMBER.
(FOR SMALL PARTS: LETTERING SHALL BE 0.10 MAX RAISED IN 0.15 MAX RECESS PAD)

4. DESIGN - MANUFACTURING:

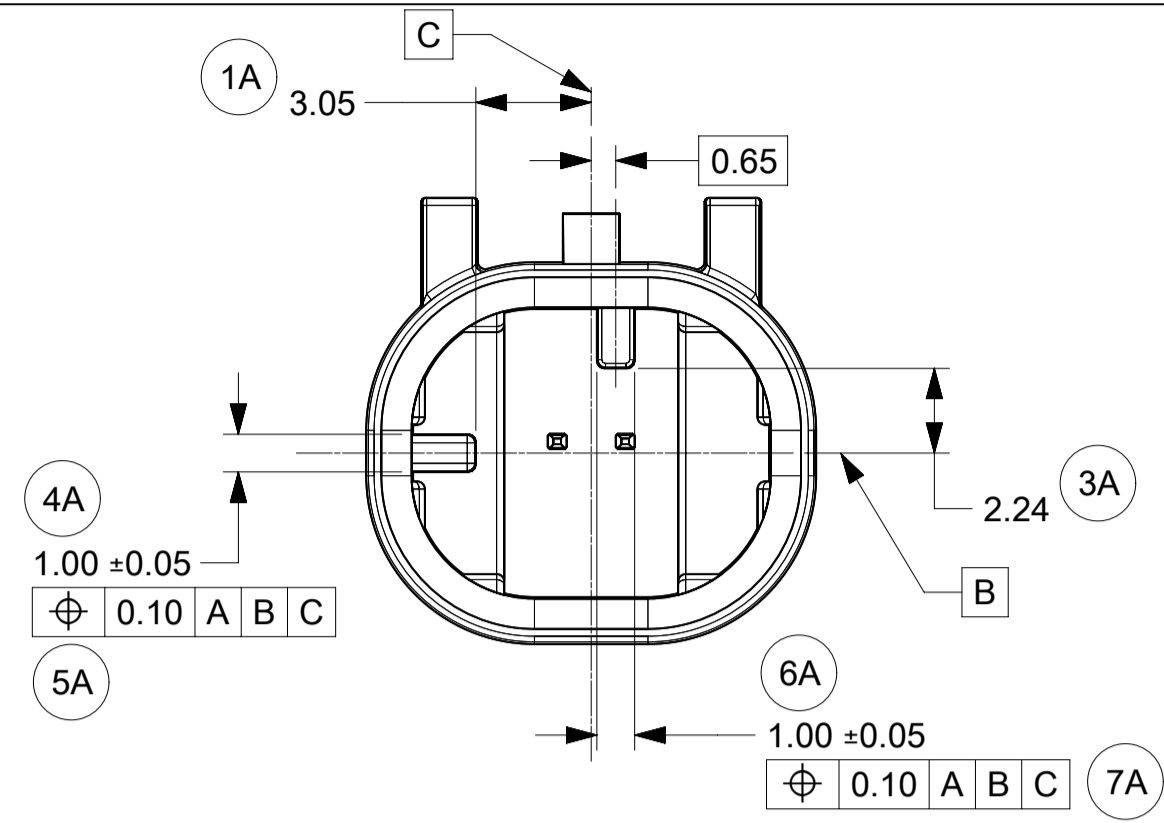
- a. ALLOWABLE FLASH MAX 0.20 HIGH BY MAX 0.13 THICK.
- b. ALLOWABLE SPLIT/PARTING LINE MISMATCH 0.2 MAX.
- c. EJECTOR PIN MARKS TO BE FLUSH TO 0.25 MAX DEPRESSED. LOCATION MUST BE APPROVED BY PRODUCT ENGINEERING. EJECTOR PIN MARKS NOT PERMISSIBLE ON OR NEAR DATUM TARGET AREA.
- d. ALLOWABLE GATE VESTIGE FLUSH TO 0.25 MAX RECESS. LOCATION MUST BE APPROVED BY PRODUCT ENGINEERING.
- e. NO EXTERNAL MOLD RELEASE AGENT ALLOWED DURING MANUFACTURING.
- f. NO PARTING LINES, MISMATCHES OR EJECTOR MARKS PERMISSIBLE WITHIN THE INDICATED SURFACE. TOOLING FOR INDICATED SURFACE MUST BE PROCESSED TO A SURFACE FINISH OF NTMA #70 (400 PAPER).
- g. BLADE TERMINAL ENVIRONMENTAL BARRIER (USED WITH SILVER PLATED TERMINALS) SHALL NOT BE PRESENT ON ANY SURFACE OTHER THAN THE BLADE TERMINALS
- h. NO PARTING LINES, FLASH, MISMATCHES OR EJECTOR MARKS PERMISSIBLE ON THE INDICATED NOSE SURFACE OR TRANSITION TO INTERNAL SHROUD SURFACE.



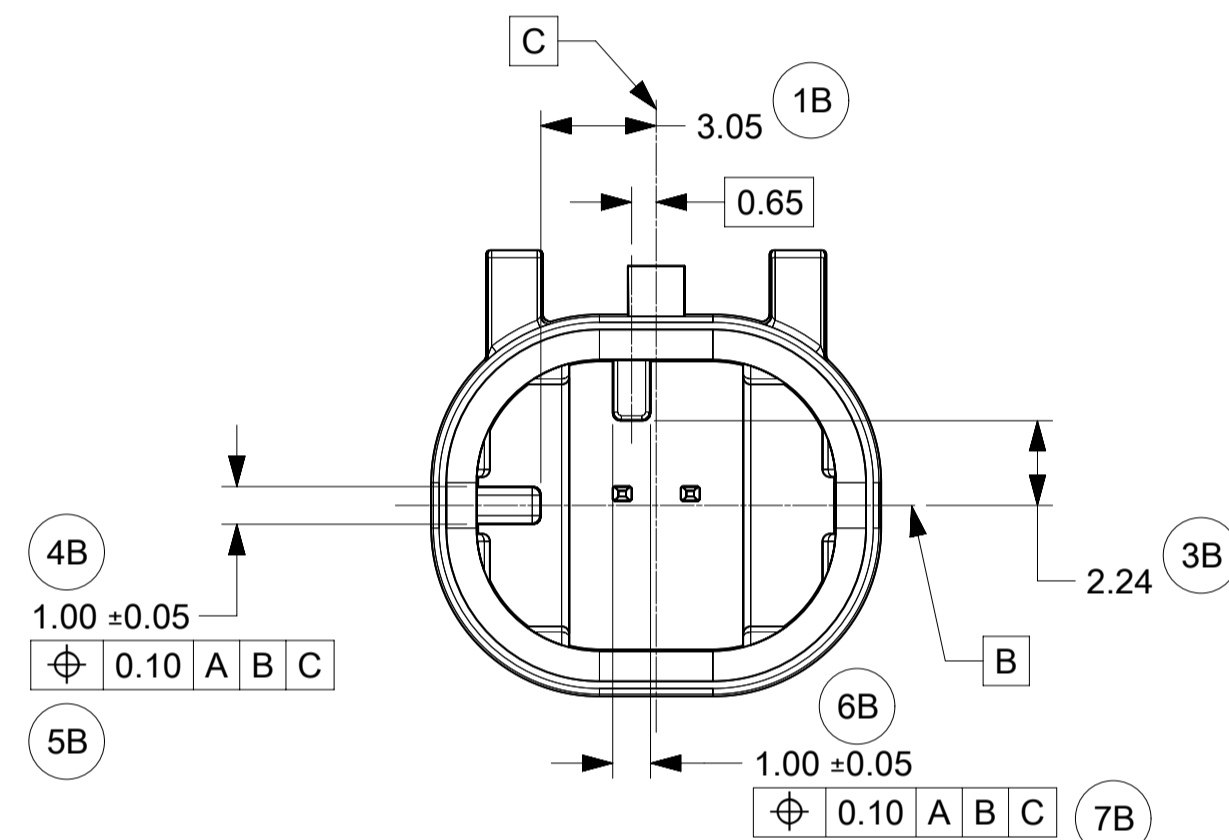
QUALITY SYMBOLS FA = 0 FE = 0 FE = 0 ▼ = 0 C = 0 ☒ = 0 ■ = 0 ∇ = 0	THIS DRAWING CONTAINS INFORMATION THAT IS PROPRIETARY TO MOLEX ELECTRONIC TECHNOLOGIES, LLC AND SHOULD NOT BE USED WITHOUT WRITTEN PERMISSION										
	EC NO: 659036 DRWN: ML149 CHKD: JCONDON REV: APPR: JCONDON	2021/03/22	2021/03/24	2021/03/24	GENERAL TOLERANCES (UNLESS SPECIFIED)	DIMENSION UNITS	SCALE				
		mm	10:1	ANGULAR TOL ± 3.0 °	DRWN BY	DATE					
	4 PLACES ±		ML149		2017/05/08		MINI50 SEALED 1X2 HEADER INTERFACE				
3 PLACES ±		CHK'D BY		DATE							
2 PLACES ± 0.1		APPR BY		DATE		PRODUCT CUSTOMER DRAWING					
1 PLACE ± 0.2		JCONDON		2017/09/13							
0 PLACES ±		DRAWING SIZE		THIRD ANGLE PROJECTION		SERIES	MATERIAL NUMBER	CUSTOMER			
DRAFT WHERE APPLICABLE MUST REMAIN WITHIN DIMENSIONS		A1				34968	SEE CHART				
		DOCUMENT NUMBER		DOC TYPE		DOC PART	SHEET NUMBER				
		A2		PSD		000	1 OF 4				

SHEET DESCRIPTION
KEY CONFIGURATIONS

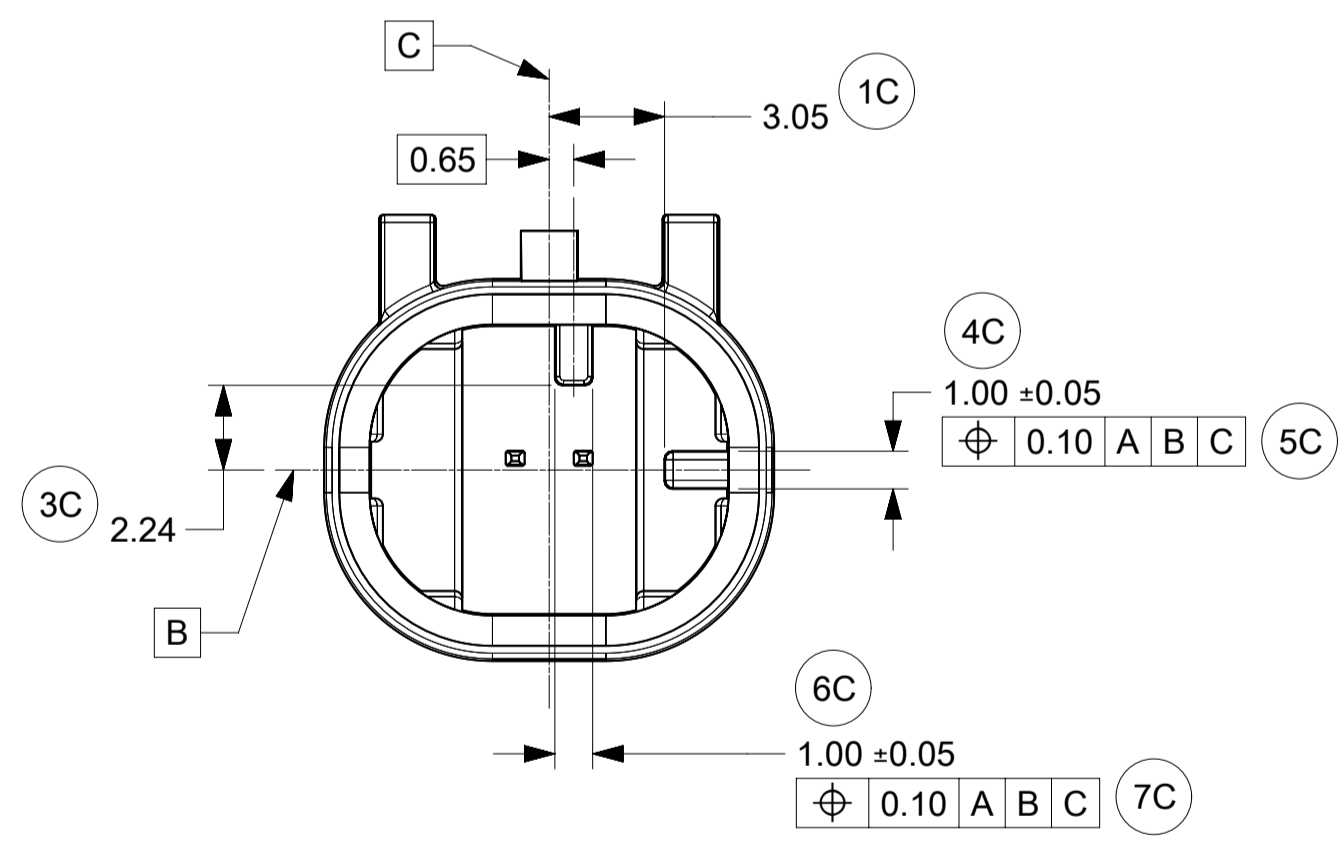
1X2



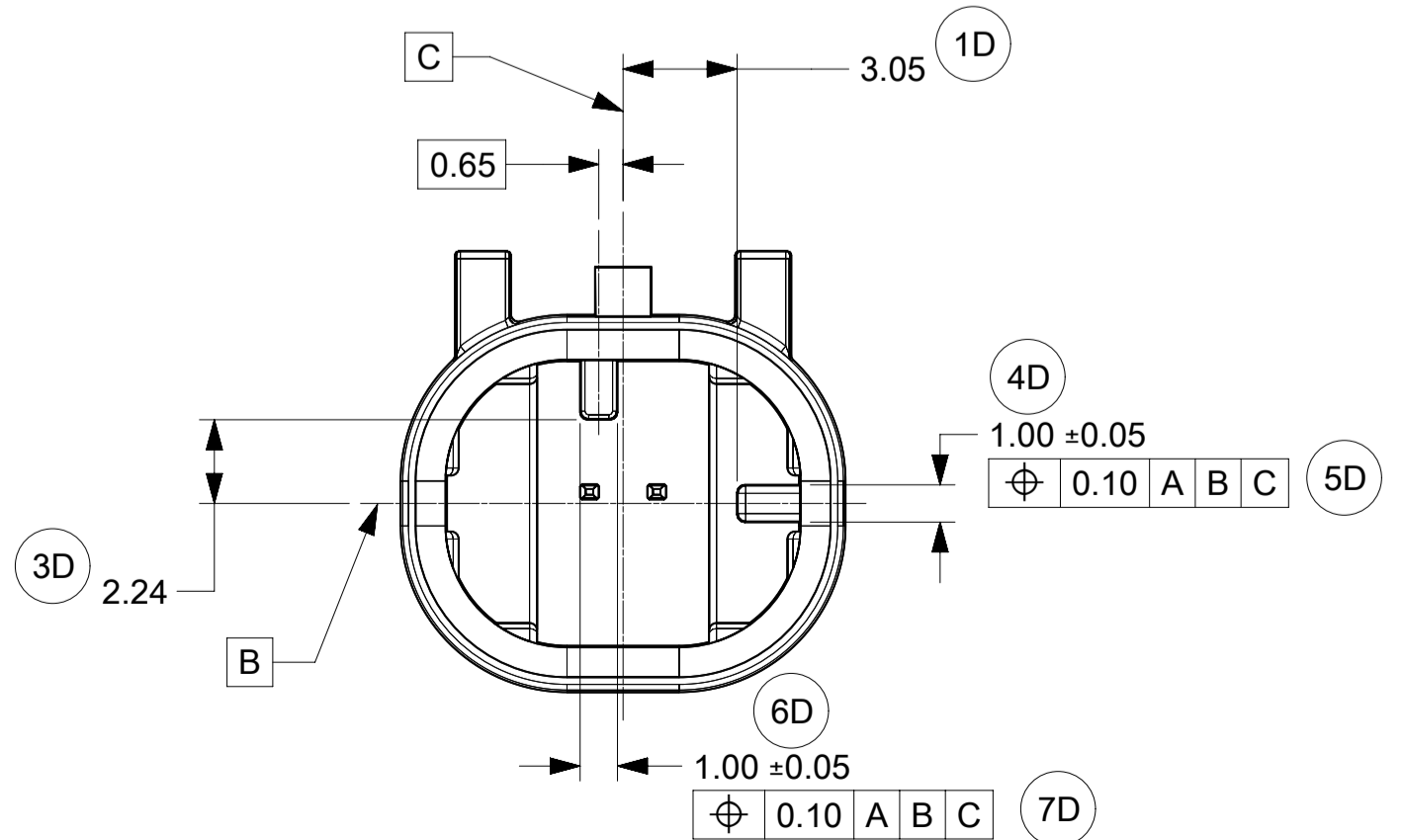
KEY OPTION A



KEY OPTION B

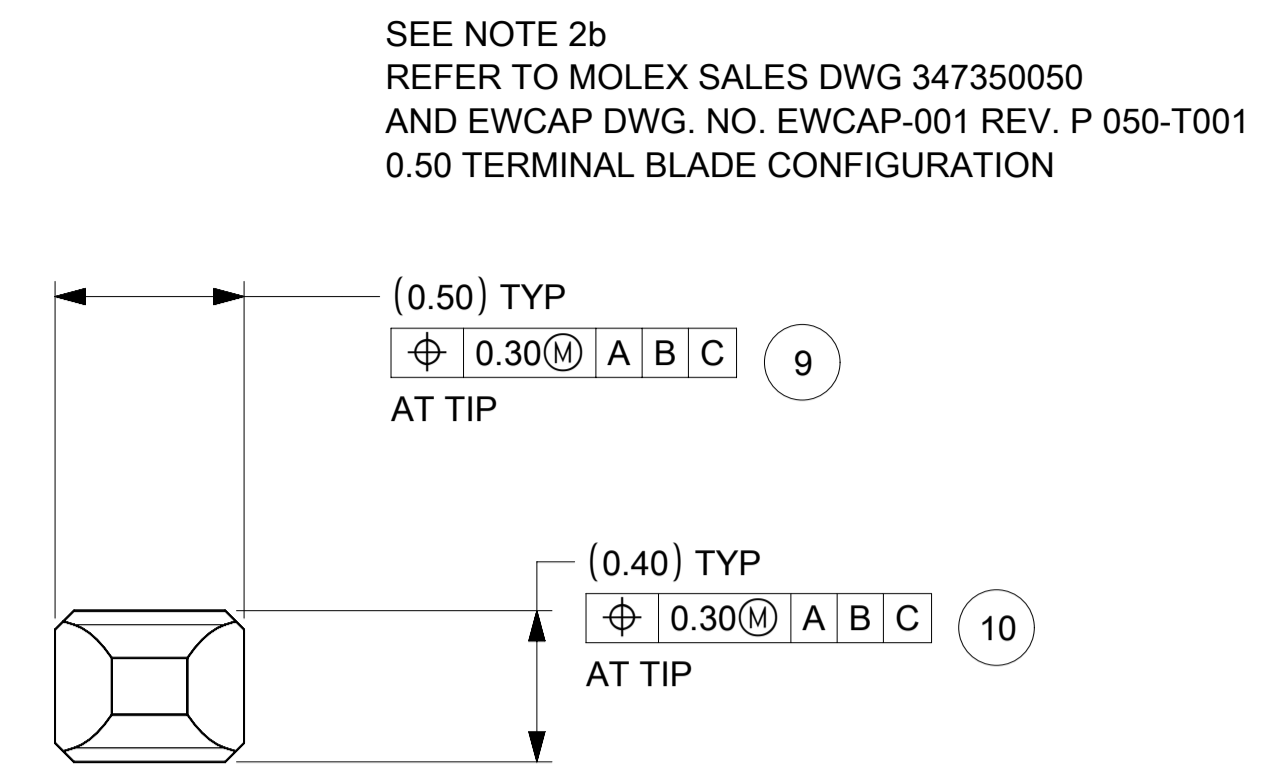
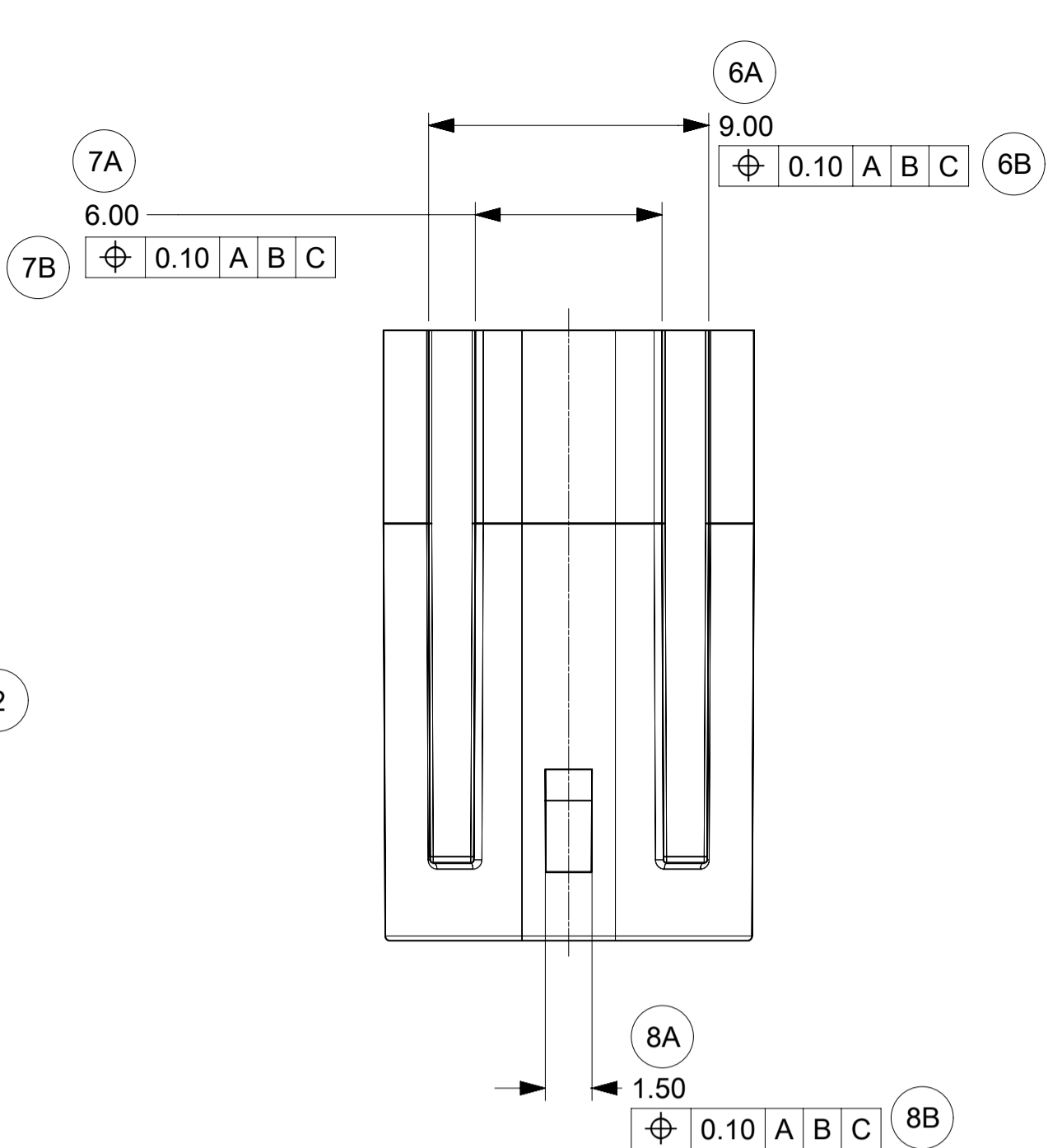
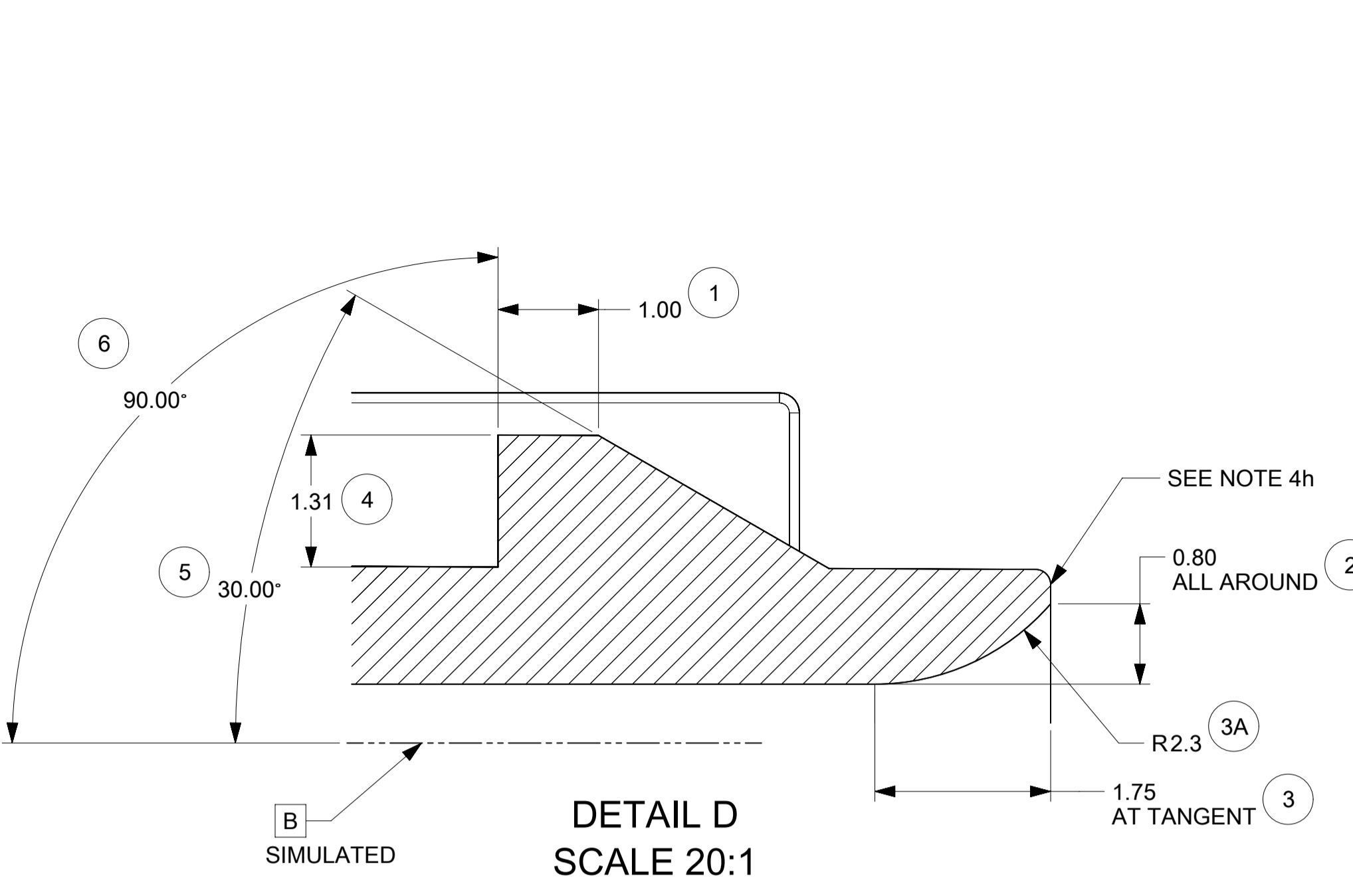


KEY OPTION C

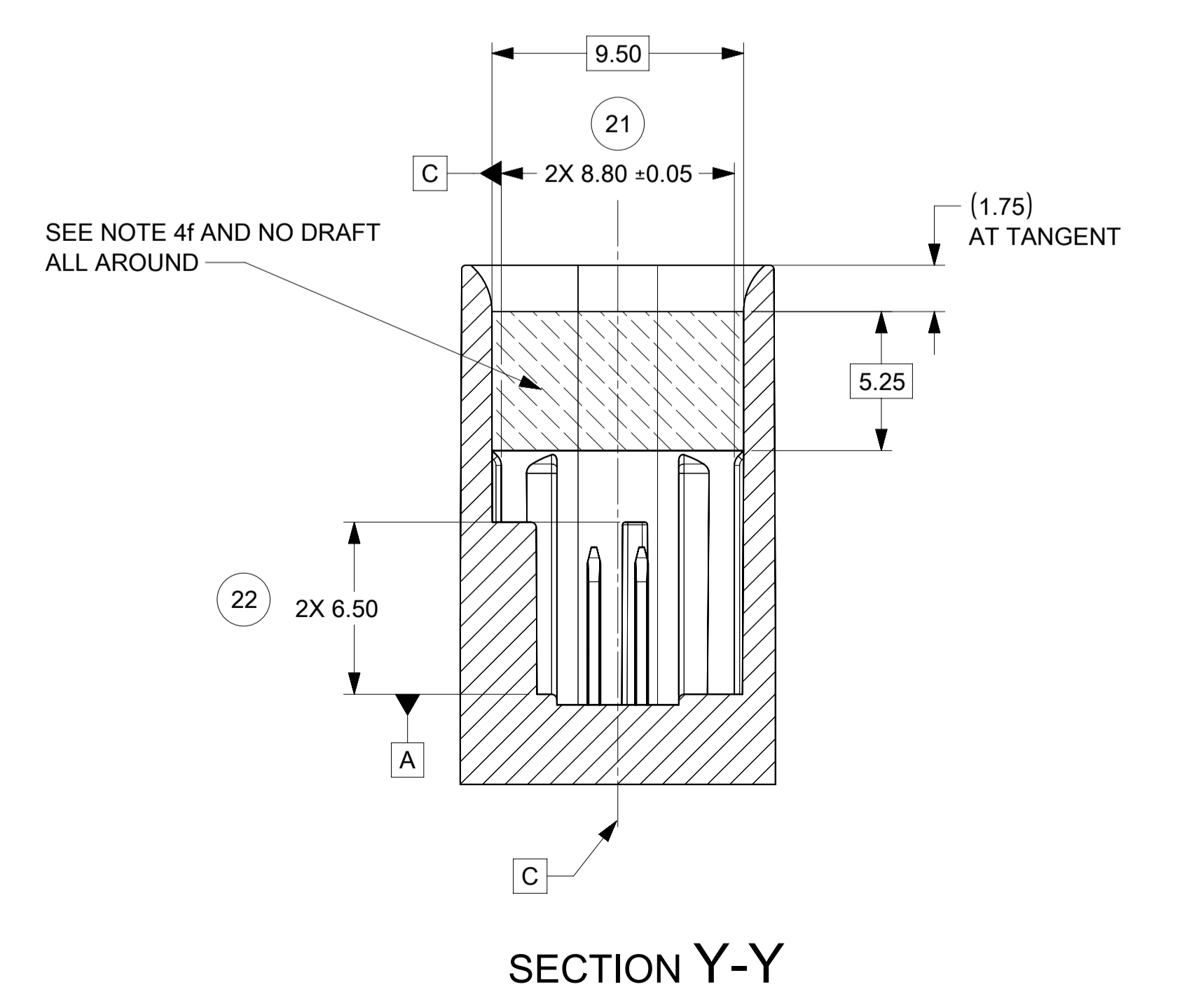
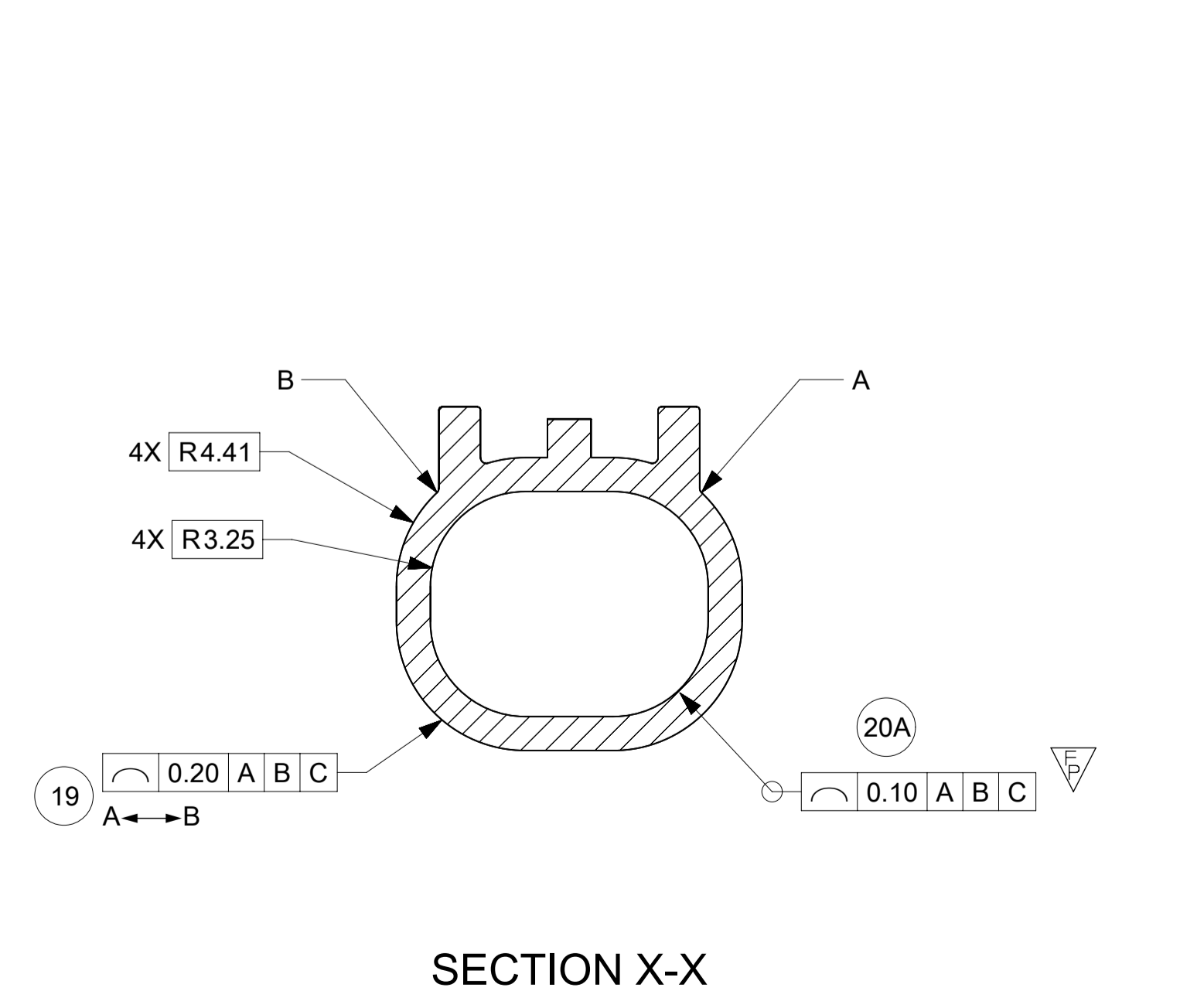
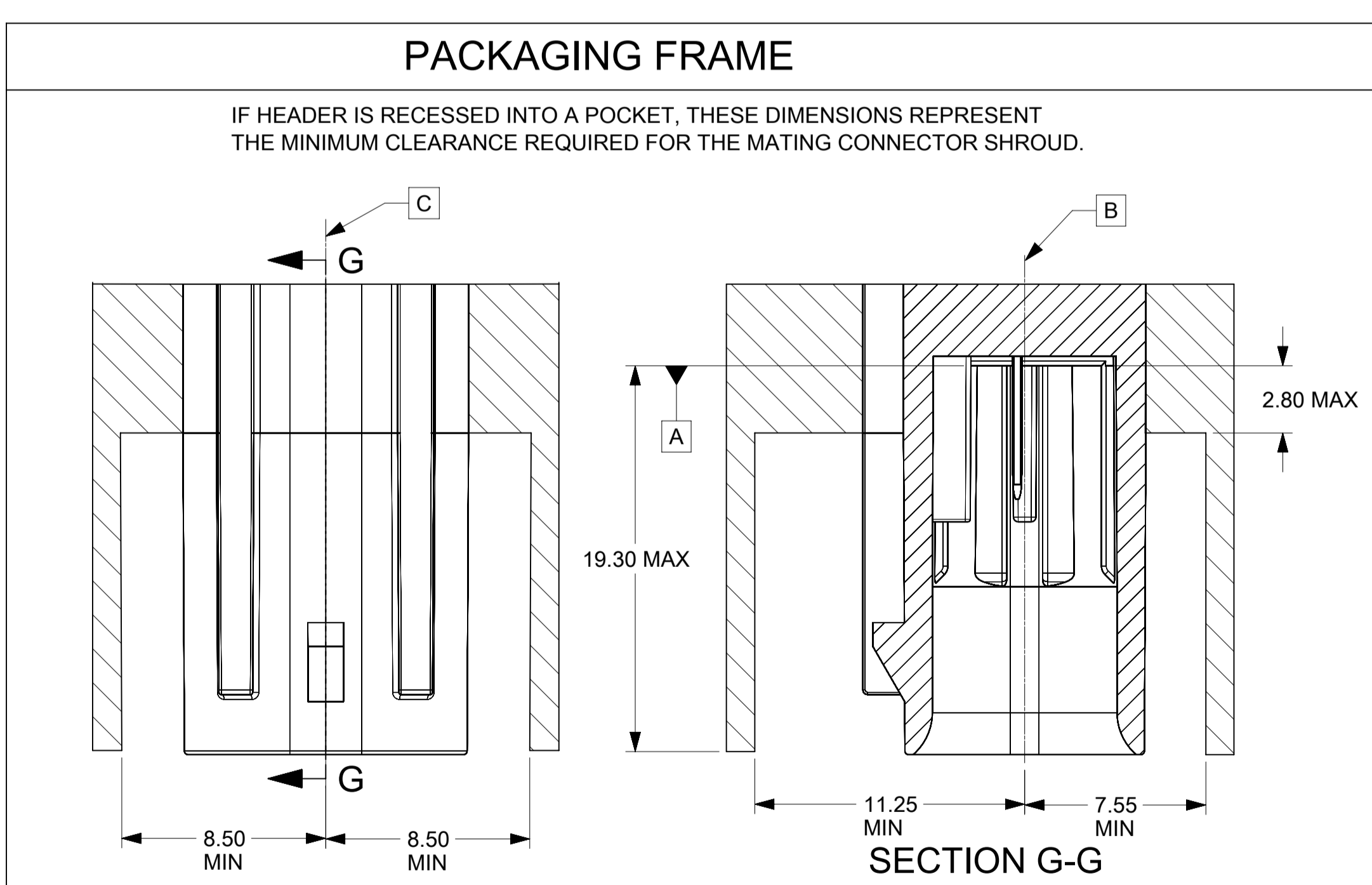
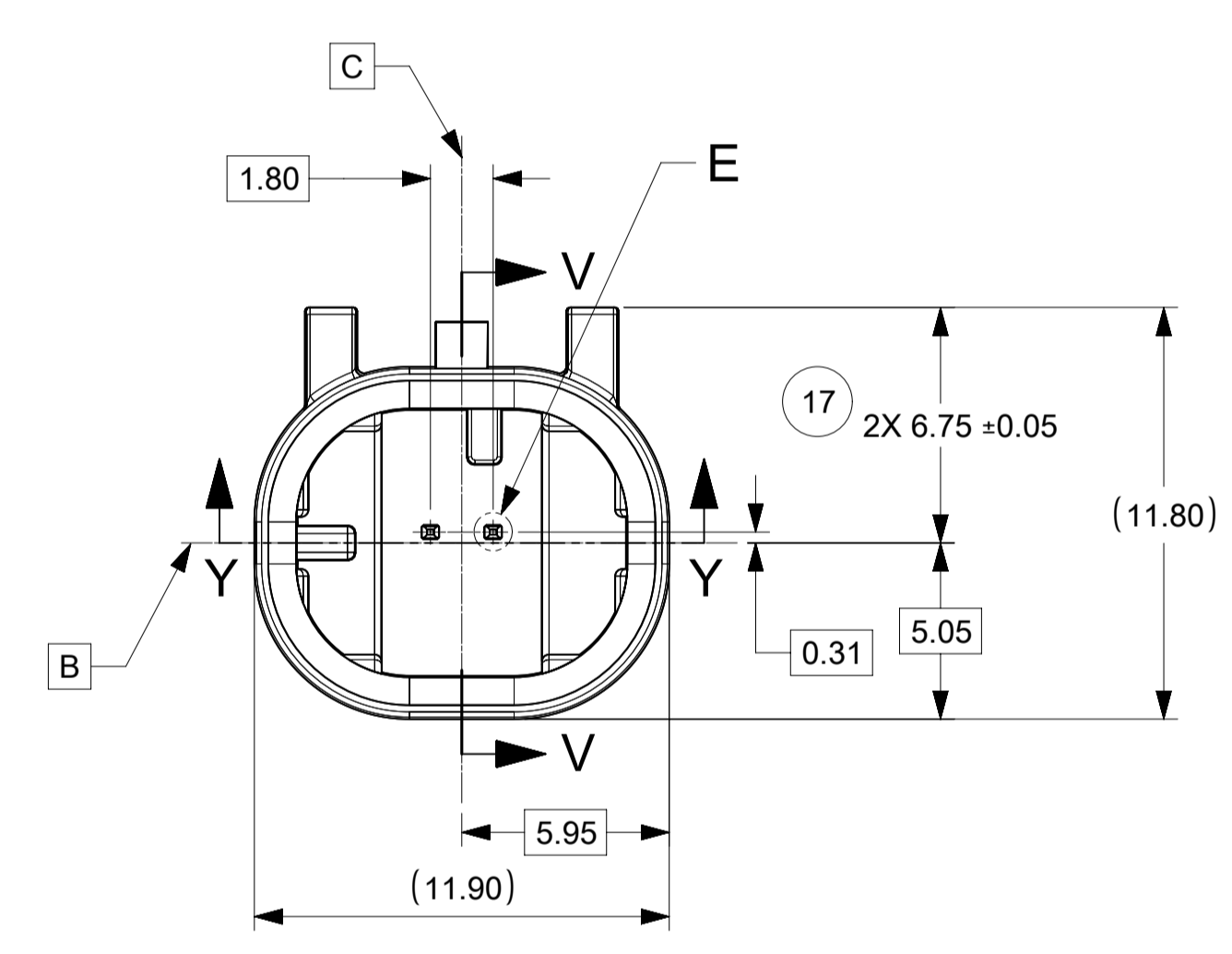
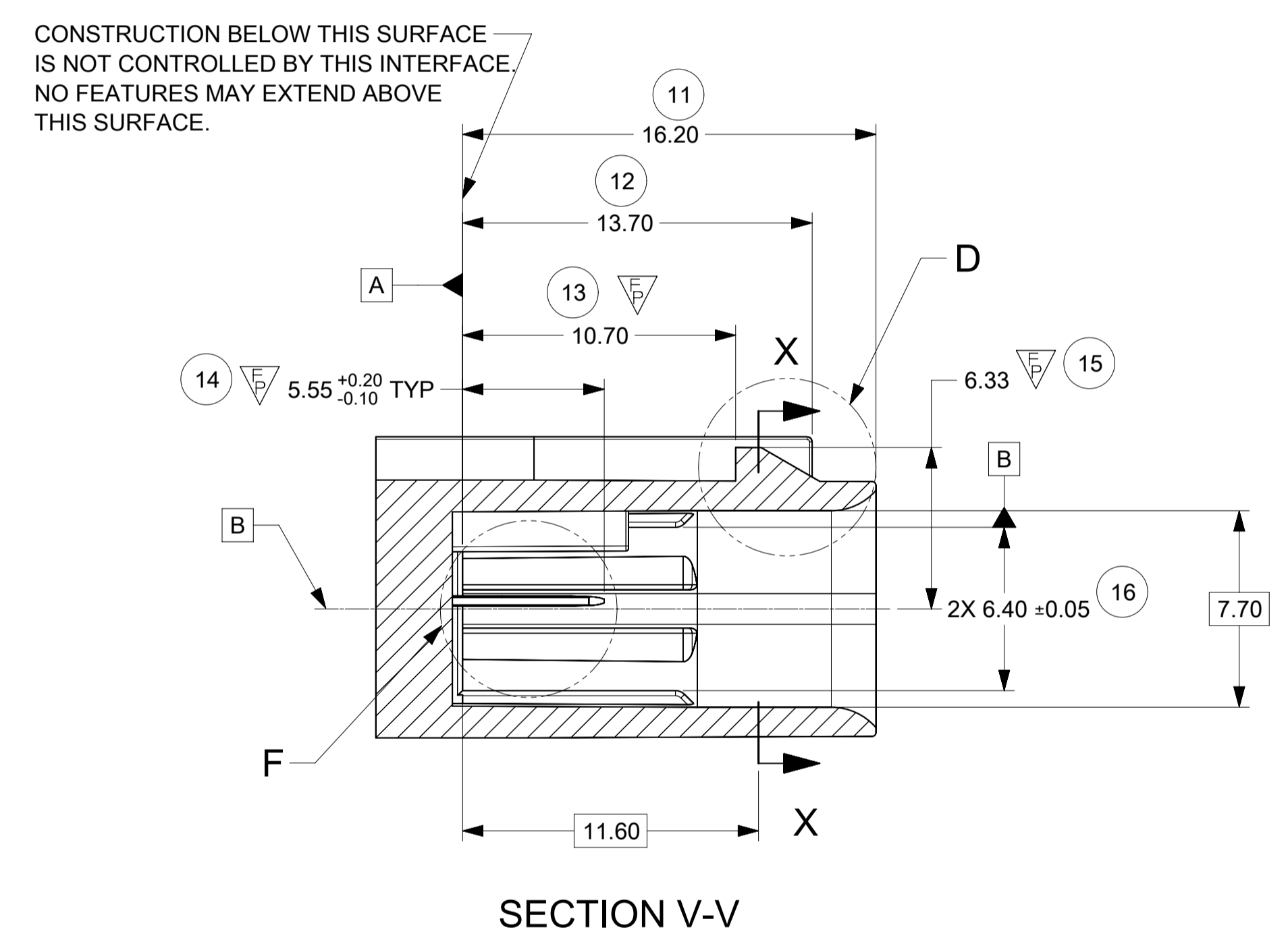
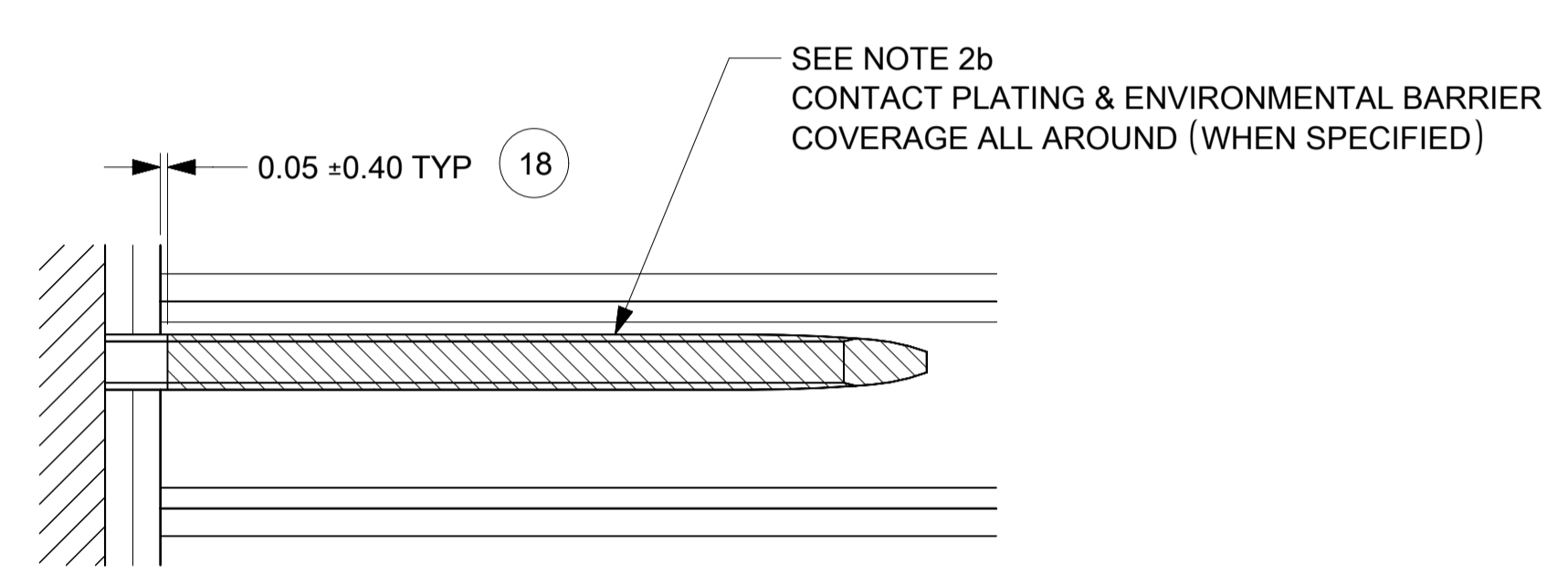


KEY OPTION D

THIS DRAWING CONTAINS INFORMATION THAT IS PROPRIETARY TO MOLEX ELECTRONIC TECHNOLOGIES, LLC AND SHOULD NOT BE USED WITHOUT WRITTEN PERMISSION										
QUALITY SYMBOLS	EC NO: 659036 DRWN: ML149 CHKD: JCONDON APPR: JCONDON	GENERAL TOLERANCES (UNLESS SPECIFIED)		DIMENSION UNITS	SCALE					
		ANGULAR TOL ± 3.0 °		mm	5:1					
□ = 0 ▽ = 0 ▽ = 0 ▽ = 0 ▽ = 0 ▽ = 0 ▽ = 0 ▽ = 0 ▽ = 0		4 PLACES	±	ML149	2017/05/08	MINI50 SEALED 1X2 HEADER INTERFACE PRODUCT CUSTOMER DRAWING				
		3 PLACES	±							
		2 PLACES	± 0.1	JCONDON	2017/09/13	SERIES	MATERIAL NUMBER	CUSTOMER		
		1 PLACE	± 0.2			34968	SEE CHART			
		0 PLACES	±			DOCUMENT NUMBER	DOC TYPE	DOC PART	SHEET NUMBER	
		DRAFT WHERE APPLICABLE MUST REMAIN WITHIN DIMENSIONS		A1		349682800	PSD	000	2 OF 4	

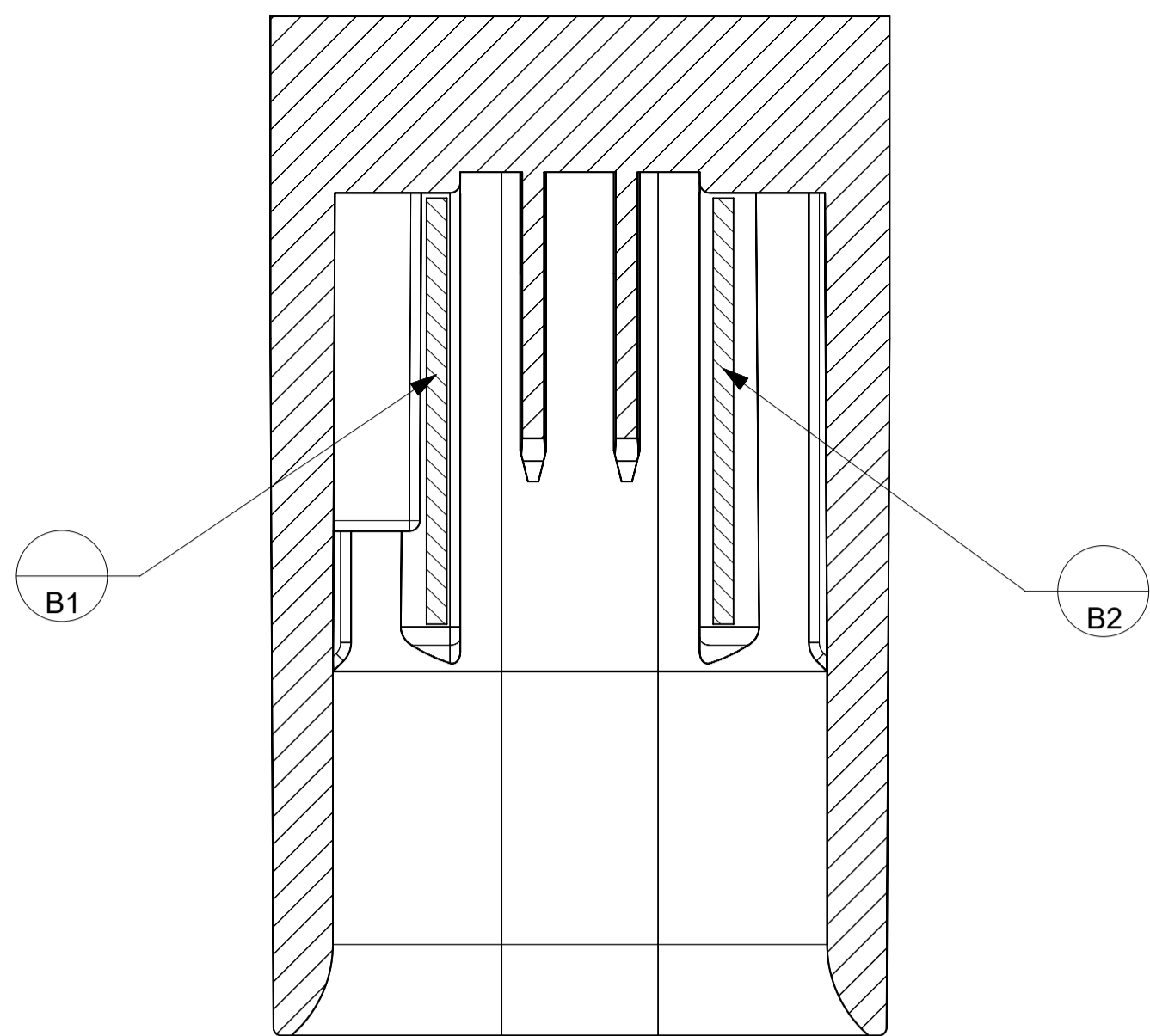


SEE NOTE 2b
REFER TO MOLEX SALES DWG 347350050
AND EWCAP DWG. NO. EWCAP-001 REV. P 050-T001
0.50 TERMINAL BLADE CONFIGURATION

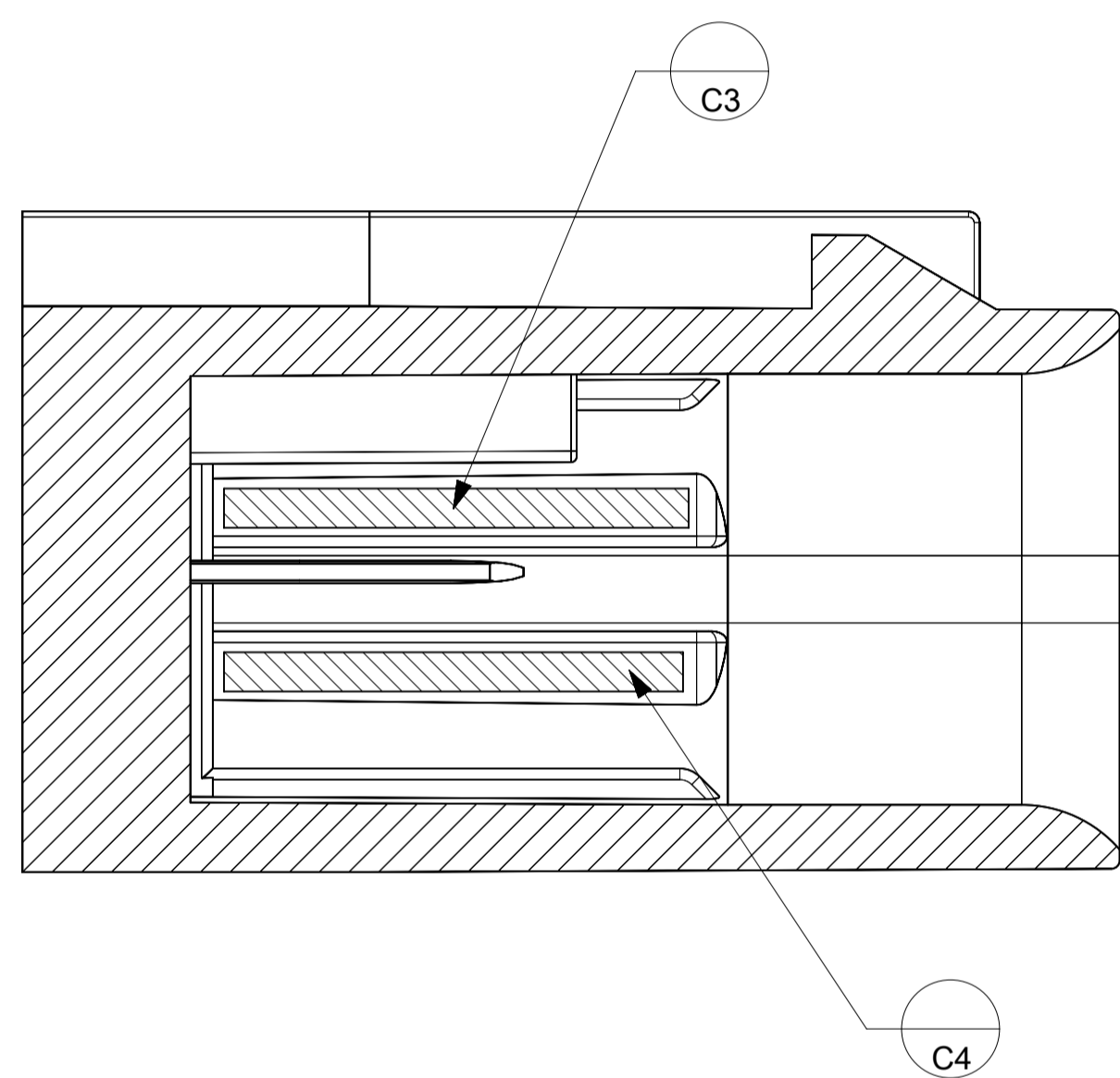


THIS DRAWING CONTAINS INFORMATION THAT IS PROPRIETARY TO MOLEX ELECTRONIC TECHNOLOGIES, LLC AND SHOULD NOT BE USED WITHOUT WRITTEN PERMISSION												
QUALITY SYMBOLS	2021/03/22 2021/03/24 2021/03/24	GENERAL TOLERANCES (UNLESS SPECIFIED)	DIMENSION UNITS	SCALE								
			mm	5:1								
<ul style="list-style-type: none"> FA = 0 FE = 0 FE = 4 ▽ = 0 ▽ = 0 □ = 0 ■ = 0 ▽ = 0 	<ul style="list-style-type: none"> DRWN: ML1149 CHKD: JCONDON APPR: JCONDON 	<ul style="list-style-type: none"> ANGULAR TOL ± 3.0° 4 PLACES ± 3 PLACES ± 2 PLACES ± 0.1 1 PLACE ± 0.2 0 PLACES ± 	DRWN BY	DATE	mini50 sealed 1x2 header interface PRODUCT CUSTOMER DRAWING							
			ML1149	2017/05/08								
DRAFT WHERE APPLICABLE MUST REMAIN WITHIN DIMENSIONS			APPR BY	DATE	SERIES	MATERIAL NUMBER	CUSTOMER	34968 SEE CHART DOCUMENT NUMBER 349682800 DOC TYPE PSD DOC PART 000 SHEET NUMBER 3 OF 4				
A1	JCONDON	2017/09/13	A2	34968	349682800	000						

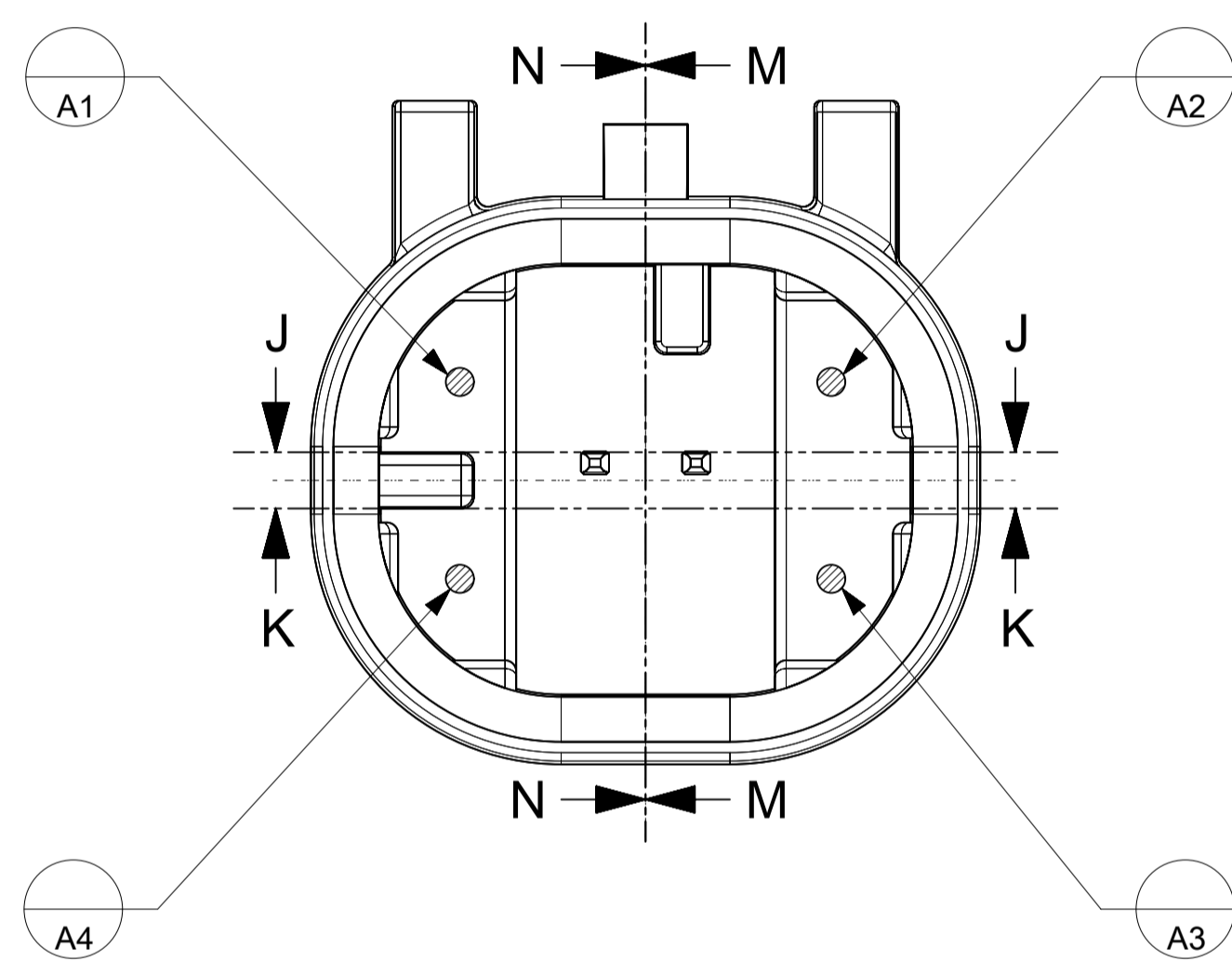
SHEET DESCRIPTION
DATUM TARGETS



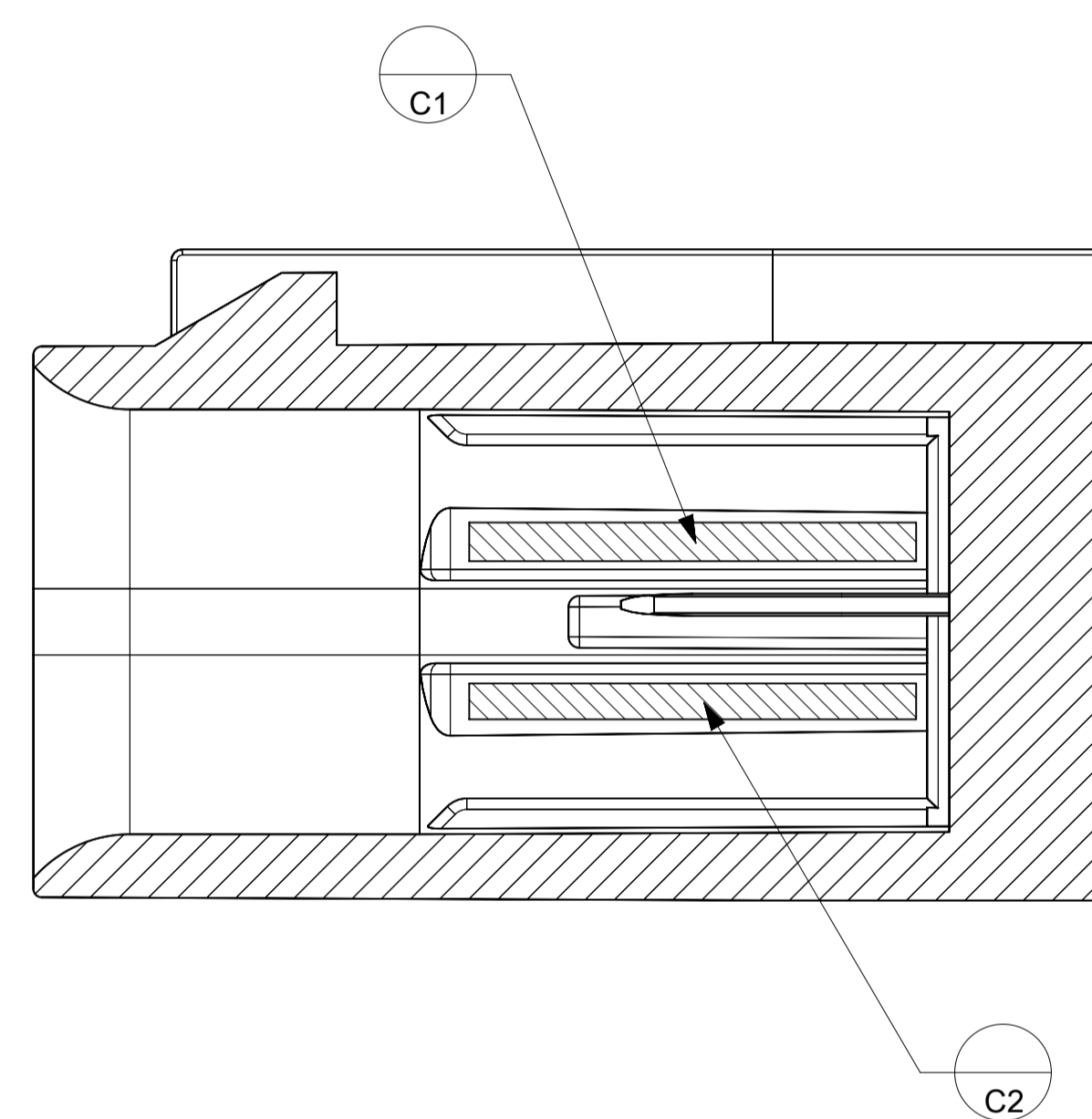
SECTION J-J



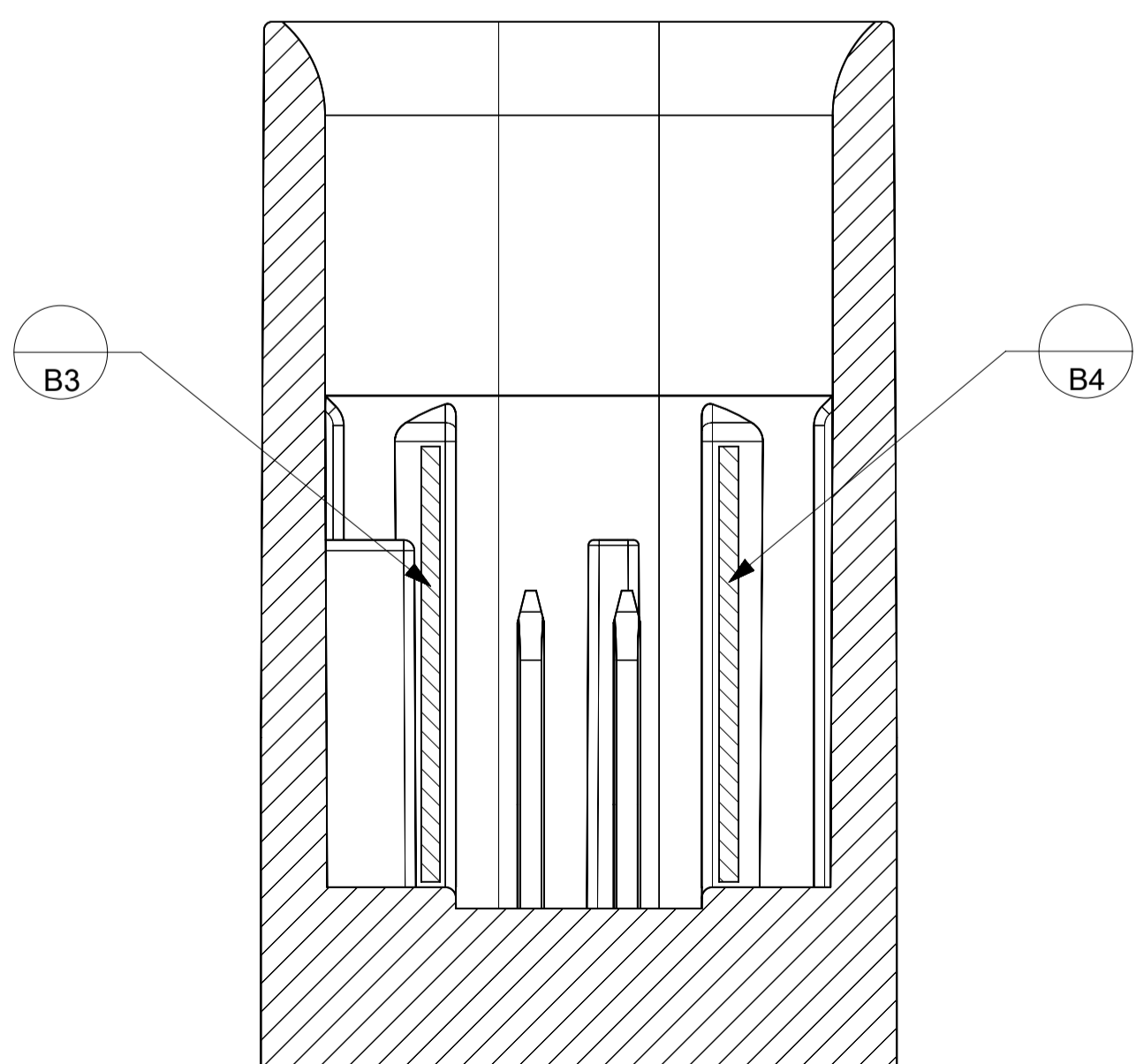
SECTION N-N


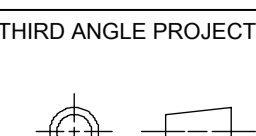


SECTION K-K



SECTION M-M



THIS DRAWING CONTAINS INFORMATION THAT IS PROPRIETARY TO MOLEX ELECTRONIC TECHNOLOGIES, LLC AND SHOULD NOT BE USED WITHOUT WRITTEN PERMISSION									
QUALITY SYMBOLS	2021/03/22 DRWN: ML1149 2021/03/24 CHK'D: JCONDON 2021/03/24 APPR: JCONDON	GENERAL TOLERANCES (UNLESS SPECIFIED)		DIMENSION UNITS	SCALE	 MINI50 SEALED 1X2 HEADER INTERFACE PRODUCT CUSTOMER DRAWING			
		ANGULAR TOL ± 3.0 °		mm	10:1				
FA = 0	EC NO: 659036 DRWN: ML1149 CHK'D: JCONDON APPR: JCONDON	4 PLACES ±	DRWN BY	ML1149		DATE		2017/05/08	
FE = 0		3 PLACES ±	CHK'D BY	JCONDON		DATE		2017/09/13	
FE = 0		2 PLACES ± 0.1	APPR BY	JCONDON		DATE		SERIES	MATERIAL NUMBER
▽ = 0		1 PLACE ± 0.2	DRAWING SIZE		THIRD ANGLE PROJECTION		34968	SEE CHART	CUSTOMER
∇ = 0		0 PLACES ±	DRAFT WHERE APPLICABLE MUST REMAIN WITHIN DIMENSIONS		A1			DOCUMENT NUMBER	DOC TYPE
☒ = 0							349682800	PSD	DOC PART
∇ = 0						000		SHEET NUMBER	
								4 OF 4	